

# Customer Information Sheet

DRAWING No.: M7965/66/67/71-XX

SHEET 2 OF 2

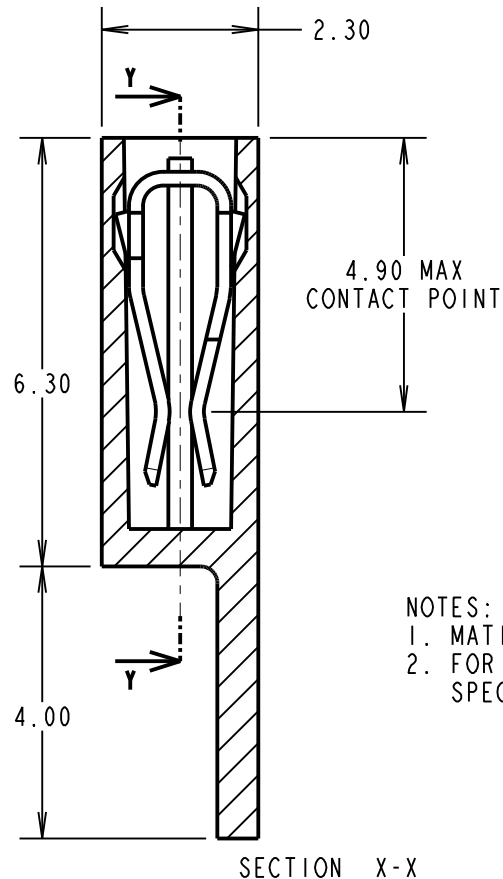
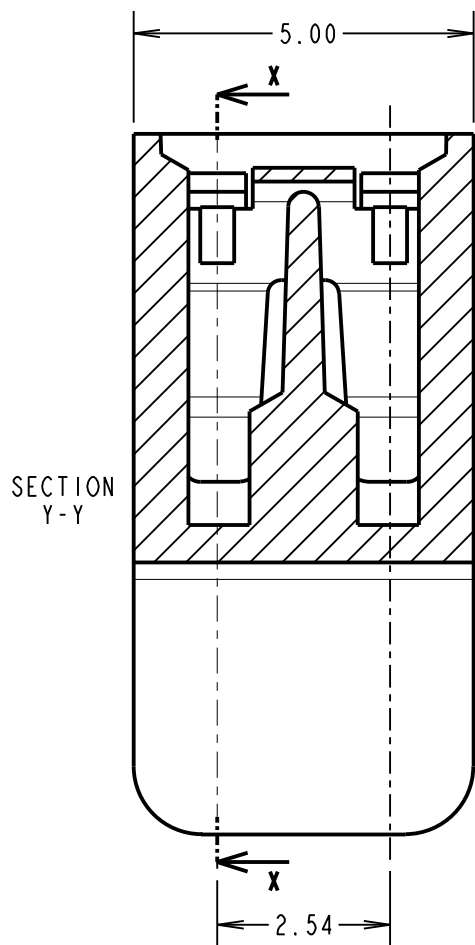
IF IN DOUBT - ASK

(C)

NOT TO SCALE

THIRD ANGLE PROJECTION

ALL DIMENSIONS IN mm



**SPECIFICATIONS:**

**MATERIAL:**

MOULDING = GLASS FILLED POLYESTER UL94V-0  
(SEE ORDER CODE FOR COLOUR)

CLIP = PHOSPHOR BRONZE

**FINISH:**

05 = 0.13µ GOLD  
46 = 3µ 100% TIN

**ELECTRICAL:**

CURRENT RATING = 3A MAX  
VOLTAGE RATING = 250V AC/DC  
VOLTAGE PROOF = 750V AC  
CONTACT RESISTANCE = 30mΩ MAX (TIN), 25mΩ MAX (GOLD)  
INSULATION RESISTANCE = 1,000MΩ MIN

**MECHANICAL:**

DURABILITY = 50 OPERATIONS (TIN), 300 OPERATIONS (GOLD)  
INSERTION FORCE = 14.5N MAX  
WITHDRAWAL FORCE = 1.0N MIN

**ENVIRONMENTAL:**

TEMPERATURE RANGE = -40°C TO +85°C

**PACKING:**

BAG

**NOTES:**

- MATING PIN = 0.64mm SQUARE,
- FOR COMPLETE SPECIFICATIONS, SEE COMPONENT SPECIFICATION C003XX (LATEST ISSUE).

ORDER CODE:

**M79XX-XX**

MOULDING COLOUR

65 - LT. GREY      66 - RED  
67 - BLACK          71 - BLUE

CONTACT FINISH

05 - GOLD  
46 = 100% TIN

MSP	8	22.10.14	12634
NAME	ISS.	DATE	C/NOTE
APPROVED: M.PERREN			
CHECKED: M.PLESTED			
DRAWN: J.CLAY			
CUSTOMER REF.:			
ASSEMBLY DRG:			

**HARWIN**

www.harwin.com  
technical@harwin.com

THIS DRAWING AND ANY INFORMATION OR DESCRIPTIVE MATTER SET OUT HEREON ARE CONFIDENTIAL AND COPYRIGHT PROPERTY OF THE HARWIN GROUP AND MUST NOT BE DISCLOSED, LOANED, COPIED OR USED FOR MANUFACTURING, TENDERING OR FOR ANY OTHER PURPOSE WITHOUT THEIR WRITTEN PERMISSION.

**TOLERANCES**

X. = ±1mm  
X.X = ±0.25mm  
X.XX = ±0.10mm  
X.XXX = ±0.01mm

ANGLES = ±5°  
UNLESS STATED

**MATERIAL:**

SEE ABOVE

FINISH: SEE ABOVE

S/AREA: mm<sup>2</sup>

**TITLE:**

JUMPER SOCKET  
(CLOSED TOP WITH HANDLE)

DRAWING NUMBER:

**M7965-XX, M7966-XX,  
M7967-XX, M7971-XX**

SHT  
2  
OF  
2

## X-ON Electronics

Largest Supplier of Electrical and Electronic Components

*Click to view similar products for [Headers & Wire Housings](#) category:*

*Click to view products by [Harwin](#) manufacturer:*

Other Similar products are found below :

[892-18-020-10-001101](#) [58102-G61-06LF](#) [582553-1](#) [0009485154](#) [009176003701906](#) [0050291907](#) [LY20-4P-DT1-P1E-BR](#) [02.125.8002.8](#)  
[609-3404](#) [61062-3](#) [622-0430](#) [622-3653LF](#) [63453-116](#) [636-1030](#) [636-1427](#) [636-3427](#) [636-4007](#) [641938-9](#) [641991-4](#) [644827-2](#) [65817-010LF](#)  
[65817-015LF](#) [65863-015LF](#) [66207-023LF](#) [67095-007LF](#) [67601157](#) [68648-049](#) [70.362.1628.0](#) [70-4210](#) [70-4226B](#) [70-4853B](#) [707-5020](#) [707-](#)  
[5028](#) [71.350.2428.0](#) [71918-208LF](#) [71961-016LF](#) [733-134](#) [733-162](#) [754199-000](#) [760-3052](#) [787-8014-00](#) [79531-3000](#) [FCN-360C032-B](#) [FCN-](#)  
[367T-T012/H](#) [FCN-723D010/2](#) [80.063.4001.1](#) [800-90-001-10-001000](#) [800-90-010-10-002000](#) [801-43-002-10-013000](#) [801-43-006-10-002000](#)