

Customer Information Sheet

DRAWING No.- M80-101XX98S

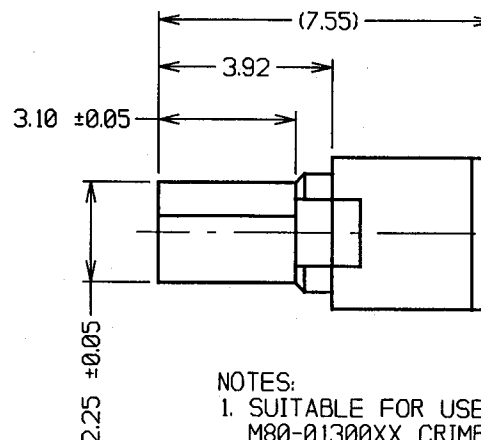
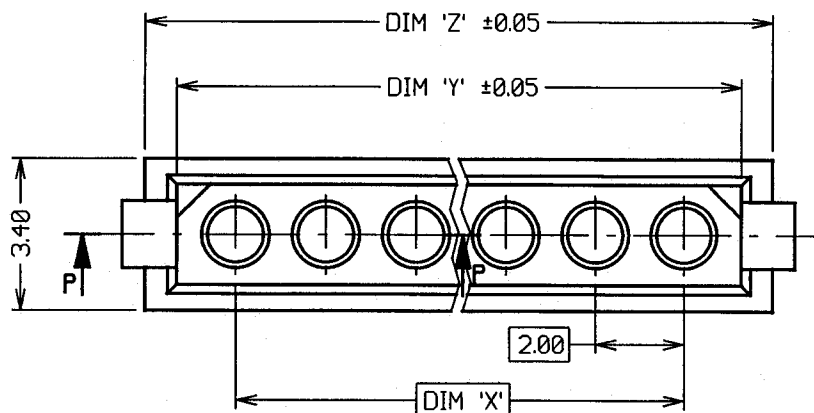
IF IN DOUBT - ASK

©

NOT TO SCALE

THIRD ANGLE PROJECTION

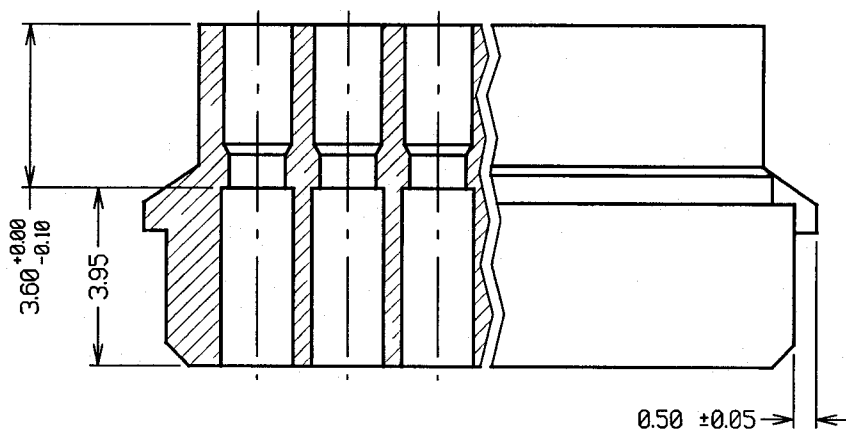
ALL DIMENSIONS IN mm



ORDER CODE:
M80-101XX98S
 No. OF WAYS —
 02-07, 17

NOTES:

- SUITABLE FOR USE WITH M80-01100XX AND M80-01300XX CRIMP SOCKETS.



PART SECTION P-P

SPECIFICATIONS:

MATERIAL = GLASS-FILLED POLYESTER UL94V-0 (BLACK)

ALL OTHER APPLICABLE SPECIFICATIONS ARE SHOWN IN COMPONENT SPECIFICATION C001XX (LATEST ISSUE), AND APPLY WHEN CRIMP SOCKETS ARE ASSEMBLED.

PART No.	DIM 'X'	DIM 'Y'	DIM 'Z'
M80-1010298S	2.00	4.60	6.00
M80-1010398S	4.00	6.60	8.00
M80-1010498S	6.00	8.60	10.00
M80-1010598S	8.00	10.60	12.00
M80-1010698S	10.00	12.60	14.00
M80-1010798S	12.00	14.60	16.00
M80-1011798S	32.00	34.60	36.00

1	25.02.99	----
ISS.	DATE	C/N
APPROVED: <i>[Signature]</i>		
CHECKED: <i>[Signature]</i>		
DRAWN: W. J. BOURNE		
CUSTOMER REF.		
ASSEMBLY DRG:		

HARWIN

HARWIN INC
 U.S.A.
 TEL: (812) 285 0055
 FAX: (812) 285 0056

HARWIN PLC
 U.K.
 TEL: 01705 370451
 FAX: 01705 314590

HARWIN PTE
 SINGAPORE
 TEL: 65 7794909
 FAX: 65 7793868

TOLERANCES
 X. - ±1mm
 X.X - ±0.25mm
 X.XX - ±0.10mm
 X.XXX - ±0.01mm
 ANGLES - ±1°
 UNLESS STATED

MATERIAL:
 M80-101XX98

FINISH:
 S/AREA: mm²

TITLE:
 DATAMATE SIL CRIMP MOULDING

DRAWING NUMBER:
M80-101XX98S

SHT
 1 OF 1

X-ON Electronics

Largest Supplier of Electrical and Electronic Components

Click to view similar products for [Power to the Board](#) category:

Click to view products by [Harwin](#) manufacturer:

Other Similar products are found below :

[6450552-7](#) [6643429-1](#) [6646040-2](#) [6766604-1](#) [120959-1](#) [1393557-2](#) [1393532-2](#) [1393532-3](#) [1393532-4](#) [1393557-1](#) [1744132-7](#) [1766250-1](#)
[1892109-1](#) [1-6450850-6](#) [1-6450869-6](#) [1645526-2](#) [2005243-2](#) [377-0020-11130](#) [MC116N](#) [TE34-12-16P-F0](#) [51700-10201602AALF](#) [51970-004](#) [5-6450830-6](#) [4-6600333-3](#) [10125416-4050LF](#) [10130248-005LF](#) [6600320-3](#) [IPBT-103-H1-T-S-RA](#) [1888123-2](#) [6766605-1](#) [701-15-02109](#)
[6450810-7](#) [46437-1112](#) [6450813-2](#) [6450842-4](#) [10108877-R24403SLF](#) [1645523-1](#) [PSS-06-01-T-S](#) [FWS-03-04-T-S](#) [51760-10301603ABLF](#)
[MDF6-TA2022HC](#) [FWS-05-01-T-S](#) [51720-10206002AALF](#) [QE-POL-KEY](#) [FWS-08-01-T-S](#) [698-0075-04](#) [6651670-1](#) [MC120N](#) [2-1600788-6](#)
[1761385-3](#)