

Customer Information Sheet

DRAWING No.- M80-101XX98S

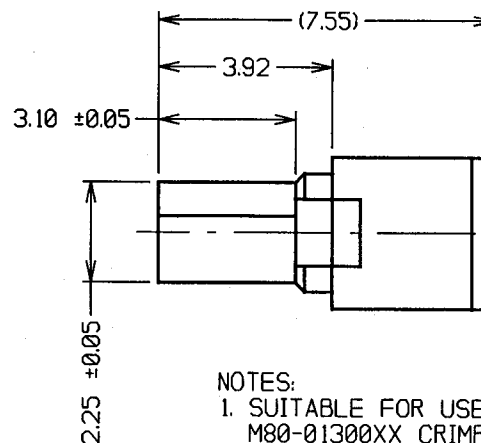
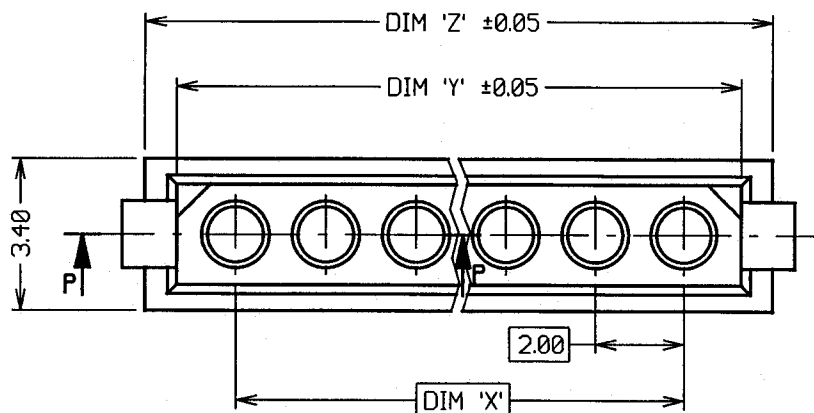
IF IN DOUBT - ASK

©

NOT TO SCALE

THIRD ANGLE PROJECTION

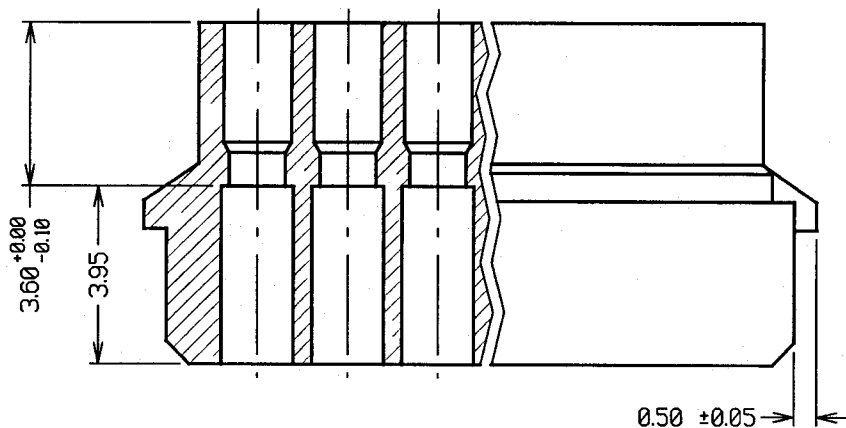
ALL DIMENSIONS IN mm



ORDER CODE:
M80-101XX98S
 No. OF WAYS —
 02-07, 17

NOTES:

1. SUITABLE FOR USE WITH M80-01100XX AND M80-01300XX CRIMP SOCKETS.



PART SECTION P-P

SPECIFICATIONS:

MATERIAL = GLASS-FILLED POLYESTER UL94V-0 (BLACK)

ALL OTHER APPLICABLE SPECIFICATIONS ARE SHOWN IN COMPONENT SPECIFICATION C001XX (LATEST ISSUE), AND APPLY WHEN CRIMP SOCKETS ARE ASSEMBLED.

PART No.	DIM 'X'	DIM 'Y'	DIM 'Z'
M80-1010298S	2.00	4.60	6.00
M80-1010398S	4.00	6.60	8.00
M80-1010498S	6.00	8.60	10.00
M80-1010598S	8.00	10.60	12.00
M80-1010698S	10.00	12.60	14.00
M80-1010798S	12.00	14.60	16.00
M80-1011798S	32.00	34.60	36.00

1	25.02.99	----
ISS.	DATE	C/N
APPROVED:	<i>[Signature]</i>	
CHECKED:	<i>[Signature]</i>	
DRAWN:	W. J. BOURNE	
CUSTOMER REF.		
ASSEMBLY DRG:		

HARWIN

HARWIN INC
 U.S.A.
 TEL: (812) 285 0055
 FAX: (812) 285 0056

HARWIN PLC
 U.K.
 TEL: 01705 370451
 FAX: 01705 314590

HARWIN PTE
 SINGAPORE
 TEL: 65 7794909
 FAX: 65 7793868

TOLERANCES
 X. - ±1mm
 X.X - ±0.25mm
 X.XX - ±0.10mm
 X.XXX - ±0.01mm
 ANGLES - ±1°
 UNLESS STATED

MATERIAL:
 M80-101XX98

FINISH:
S/AREA: mm²

TITLE:
 DATAMATE SIL CRIMP MOULDING

DRAWING NUMBER:
M80-101XX98S

SHT
 1 OF 1

X-ON Electronics

Largest Supplier of Electrical and Electronic Components

Click to view similar products for [Headers & Wire Housings](#) category:

Click to view products by [Harwin](#) manufacturer:

Other Similar products are found below :

[892-18-020-10-001101](#) [58102-G61-06LF](#) [582553-1](#) [0009485154](#) [009176003701906](#) [0050291907](#) [LY20-4P-DT1-P1E-BR](#) [02.125.8002.8](#)
[609-3404](#) [61062-3](#) [622-0430](#) [622-3653LF](#) [63453-116](#) [636-1030](#) [636-1427](#) [636-3427](#) [636-4007](#) [641938-9](#) [641991-4](#) [644827-2](#) [65817-010LF](#)
[65817-015LF](#) [65863-015LF](#) [66207-023LF](#) [67095-007LF](#) [67601157](#) [68648-049](#) [70.362.1628.0](#) [70-4210](#) [70-4226B](#) [70-4853B](#) [707-5020](#) [707-5028](#) [71.350.2428.0](#) [71918-208LF](#) [71961-016LF](#) [733-134](#) [733-162](#) [754199-000](#) [760-3052](#) [787-8014-00](#) [79531-3000](#) [FCN-360C032-B](#) [FCN-367T-T012/H](#) [FCN-723D010/2](#) [80.063.4001.1](#) [800-90-001-10-001000](#) [800-90-010-10-002000](#) [801-43-002-10-013000](#) [801-43-006-10-002000](#)