

Customer Information Sheet

DRAWING No.: M80-103XX98S

SHEET 2 OF 2

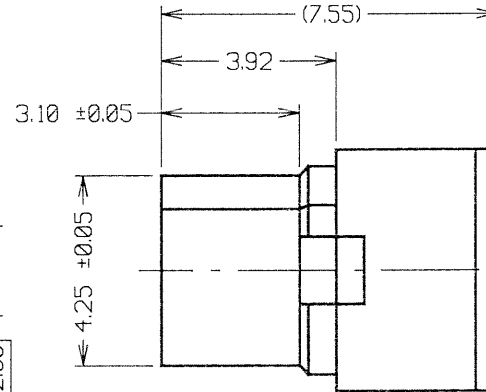
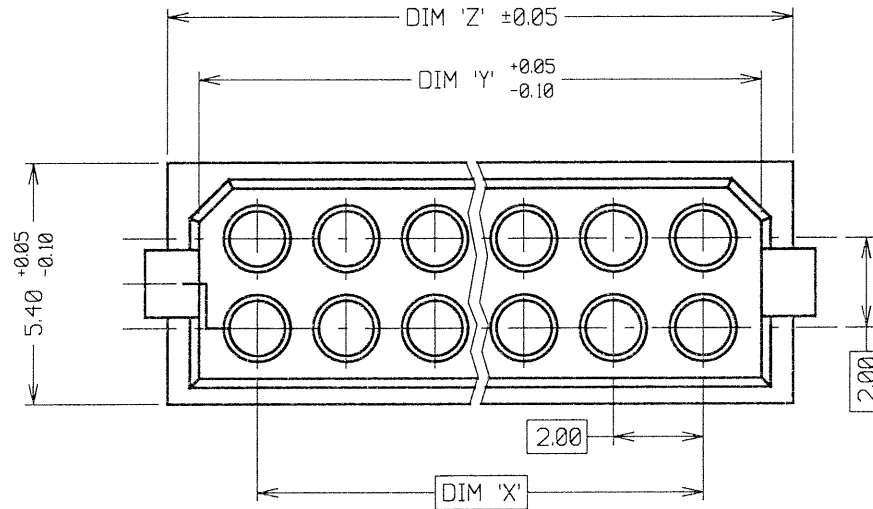
IF IN DOUBT - ASK

(C)

NOT TO SCALE

THIRD ANGLE PROJECTION

ALL DIMENSIONS IN mm

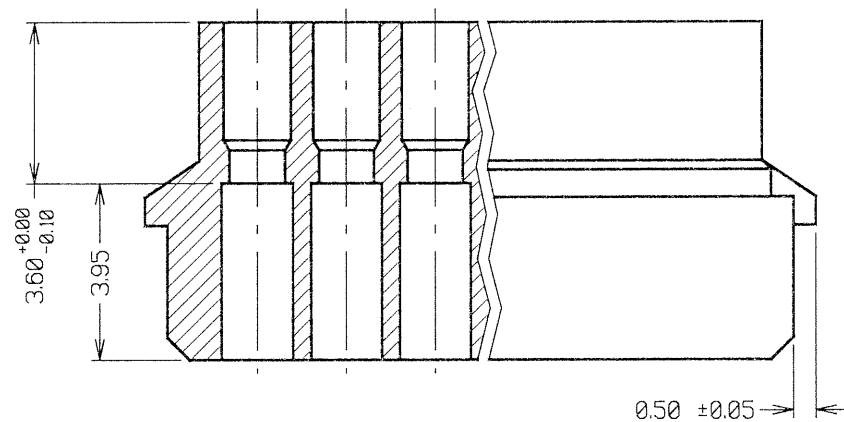


ORDER CODE:
M80-103XX98S
 No. OF CONTACTS
 04, 06, 08, 10, 12, 14
 16, 18, 20, 26 & 34

NOTES:
 1. SUITABLE FOR USE WITH
 M80-01100XX & M80-01300XX
 CRIMP SOCKETS.

SPECIFICATIONS:

MATERIAL = GLASS-FILLED POLYESTER UL94V-0, BLACK
 ALL OTHER APPLICABLE SPECIFICATIONS ARE
 SHOWN IN COMPONENT SPECIFICATION C001XX
 (LATEST ISSUE), AND APPLY WHEN CRIMP SOCKETS
 ARE ASSEMBLED.



PART No.	DIM 'X'	DIM 'Y'	DIM 'Z'
M80-1030498S	2.00	4.60	6.00
M80-1030698S	4.00	6.60	8.00
M80-1030898S	6.00	8.60	10.00
M80-1031098S	8.00	10.60	12.00
M80-1031298S	10.00	12.60	14.00
M80-1031498S	12.00	14.60	16.00
M80-1031698S	14.00	16.60	18.00
M80-1031898S	16.00	18.60	20.00
M80-1032098S	18.00	20.60	22.00
M80-1032698S	24.00	26.60	28.00
M80-1033498S	32.00	34.60	36.00

JMB	2	23.08.06	9394
NAME	ISS.	DATE	C/NOTE
APPROVED: <i>[Signature]</i>			
CHECKED: <i>[Signature]</i>			
DRAWN:		W. J. BOURNE	
CUSTOMER REF.:			
ASSEMBLY DRG:			

HARWIN

THIS DRAWING AND ANY INFORMATION OR DESCRIPTIVE MATTER SET OUT HEREON ARE CONFIDENTIAL AND COPYRIGHT PROPERTY OF THE HARWIN GROUP AND MUST NOT BE DISCLOSED, LOANED, COPIED OR USED FOR MANUFACTURING, TENDERING OR FOR ANY OTHER PURPOSE WITHOUT THEIR WRITTEN PERMISSION.

TOLERANCES

X. = ±1mm
 X.X = ±0.25mm
 X.XX = ±0.10mm
 X.XXX = ±0.01mm
 ANGLES = ±5°
 UNLESS STATED

MATERIAL:

M80-103XX98

FINISH:

S/AREA:

mm²

TITLE:

DATAMATE DIL CRIMP MOULDING

DRAWING NUMBER:

M80-103XX98S

SHT
 2
 OF
 2

HARWIN USA
 TEL: 603 893 5376
 FAX: 603 893 5396
 mis@harwin.com

HARWIN Europe (UK)
 TEL: 023 9231 4545
 FAX: 023 9231 4590
 mis@harwin.co.uk

HARWIN Asia
 TEL: +65 6 779 4909
 FAX: +65 6 779 3868
 mis@harwin.com.sg

X-ON Electronics

Largest Supplier of Electrical and Electronic Components

Click to view similar products for [Headers & Wire Housings](#) category:

Click to view products by [Harwin](#) manufacturer:

Other Similar products are found below :

[892-18-020-10-001101](#) [58102-G61-06LF](#) [582553-1](#) [0009485154](#) [009176003701906](#) [0050291907](#) [LY20-4P-DT1-P1E-BR](#) [02.125.8002.8](#)
[609-3404](#) [61062-3](#) [622-0430](#) [622-3653LF](#) [63453-116](#) [636-1030](#) [636-1427](#) [636-3427](#) [636-4007](#) [641938-9](#) [641991-4](#) [644827-2](#) [65817-010LF](#)
[65817-015LF](#) [65863-015LF](#) [66207-023LF](#) [67095-007LF](#) [67601157](#) [68648-049](#) [70.362.1628.0](#) [70-4210](#) [70-4226B](#) [70-4853B](#) [707-5020](#) [707-](#)
[5028](#) [71.350.2428.0](#) [71918-208LF](#) [71961-016LF](#) [733-134](#) [733-162](#) [754199-000](#) [760-3052](#) [787-8014-00](#) [79531-3000](#) [FCN-360C032-B](#) [FCN-](#)
[367T-T012/H](#) [FCN-723D010/2](#) [80.063.4001.1](#) [800-90-001-10-001000](#) [800-90-010-10-002000](#) [801-43-002-10-013000](#) [801-43-006-10-002000](#)