

Customer Information Sheet

DRAWING No.: M80-263FCXX-XX-XX

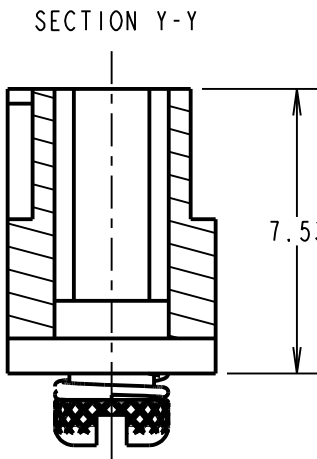
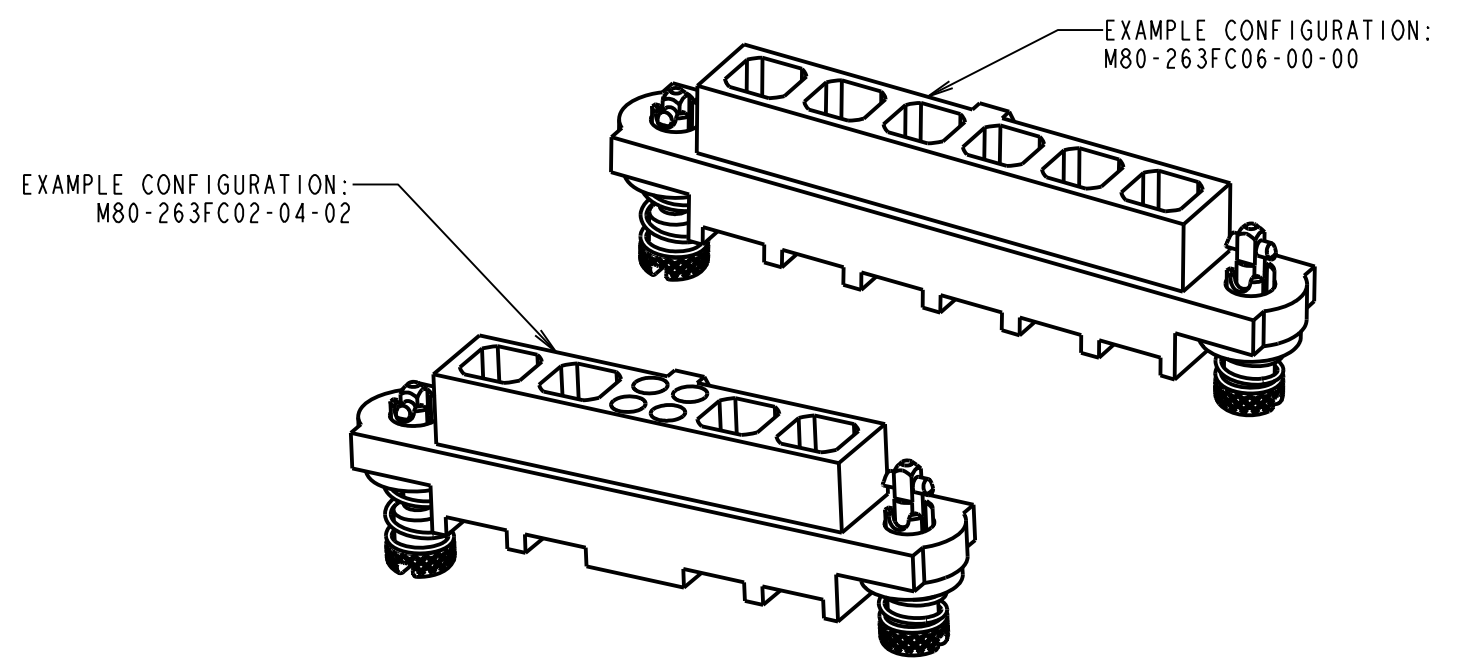
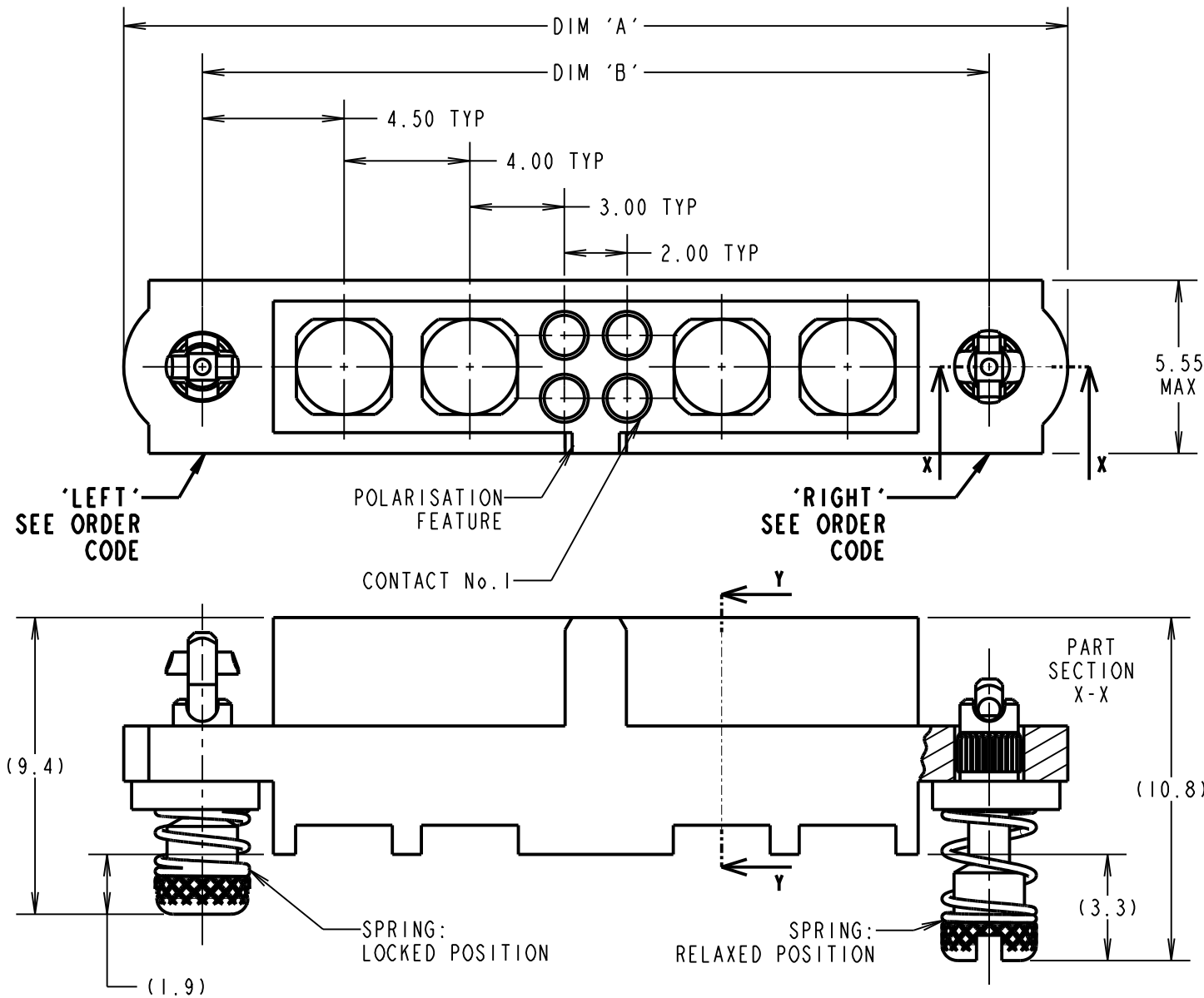
IF IN DOUBT - ASK

©

NOT TO SCALE

THIRD ANGLE PROJECTION

ALL DIMENSIONS IN mm



NOTES:

- CONNECTORS ARE SUPPLIED WITHOUT CONTACTS.
- SUITABLE FOR FEMALE CABLE POWER, COAXIAL AND SIGNAL DATAMATE CONTACTS - FOR MORE INFORMATION PLEASE VISIT HARWIN.COM.
- FOR MECHANICAL AND ELECTRICAL SPECIFICATION SEE COMPONENT SPECIFICATION C005XX (LATEST ISSUE).

DIMENSION	CALCULATIONS
DIM 'A'	$((4 \times \text{No. OF SPECIAL CONTACTS}) + \text{No. OF SIGNAL CONTACTS}) + 10.00$
DIM 'B'	$((4 \times \text{No. OF SPECIAL CONTACTS}) + \text{No. OF SIGNAL CONTACTS}) + 5.00$

EXAMPLES: CONNECTOR WITH 02 **RIGHT** (BEFORE No.1) SPECIAL CONTACTS, 4 SIGNAL CONTACTS AND 02 **LEFT** (AFTER No.1) SPECIAL CONTACTS,
M80-263FC02-04-02
 DIM 'A' = 30.00mm, DIM 'B' = 25.00mm
 CONNECTOR WITH NO SIGNAL CONTACTS, AND 06 SPECIAL CONTACTS,
M80-263FC06-00-00
 DIM 'A' = 34.00mm, DIM 'B' = 29.00mm

ORDER CODE:
M80-263FCXX-XX-XX

TOTAL No. OF SPECIAL CONTACTS BEFORE No.1 (RIGHT): 00 TO 12

TOTAL No. OF SPECIAL CONTACTS AFTER No.1 (LEFT): 00 TO 12

TOTAL No. OF SIGNAL CONTACTS: 00 TO 50 (EVEN NUMBERS ONLY)

A SINGLE POWER CONTACT HAS THE EQUIVALENT FOOTPRINT OF 4 SIGNAL CONTACTS. EACH MOULDING CAN HOUSE A MAXIMUM OF 50 SIGNAL CONTACTS PROVIDING THERE ARE NO SPECIAL CONTACTS OR 12 SPECIAL CONTACTS PROVIDING THERE ARE NO SIGNAL CONTACTS, AND ALL CONFIGURATIONS BETWEEN.

IF THERE ARE NO SIGNAL CONTACTS, USE ONLY THE FIRST SPECIAL CONTACT QTY I.E. M80-263FCXX-00-00

RA	2	25.08.20	30137
NAME	ISS.	DATE	CN/CO
APPROVED: R.ALEXANDER			
CHECKED: S.BENNETT			
DRAWN: R.PORTLOCK			
CUSTOMER REF.:			
ASSEMBLY DRG:			



THIS DRAWING AND ANY INFORMATION OR DESCRIPTIVE MATTER SET OUT HEREON ARE CONFIDENTIAL AND COPYRIGHT PROPERTY OF THE HARWIN GROUP AND MUST NOT BE DISCLOSED, LOANED, COPIED OR USED FOR MANUFACTURING, TENDERING OR FOR ANY OTHER PURPOSE WITHOUT THEIR WRITTEN PERMISSION.

TOLERANCES
 X. = ±1mm
 X.X = ±0.50mm
 X.XX = ±0.20mm
 X.XXX = ±0.01mm
 ANGLES = ±5°
 UNLESS STATED

MATERIAL: SEE ABOVE
 FINISH: SEE ABOVE
 S/AREA: - mm²

TITLE: JACKSCREW DATAMATE MIXED TECHNOLOGY FEMALE CRIMP MOULDING WITH HARDWARE
 DRAWING NUMBER: **M80-263FCXX-XX-XX**
 SHT 2 OF 2

X-ON Electronics

Largest Supplier of Electrical and Electronic Components

Click to view similar products for [Power to the Board](#) category:

Click to view products by [Harwin](#) manufacturer:

Other Similar products are found below :

[6450171-4](#) [6450552-7](#) [6600323-8](#) [6643429-1](#) [6646040-2](#) [6651939-1](#) [6766604-1](#) [120959-1](#) [1393557-2](#) [1393532-2](#) [1393532-3](#) [1393532-4](#)
[1393557-1](#) [1600812-5](#) [1-6450861-2](#) [1744132-7](#) [1761122-1](#) [1766250-1](#) [1892109-1](#) [2-6450860-5](#) [2-6450870-0](#) [1-6450161-4](#) [1-6450850-6](#) [1-](#)
[6450869-6](#) [1645526-2](#) [1-6600130-0](#) [2005243-2](#) [TE34-12-16P-F0](#) [5-6450830-6](#) [5646956-4](#) [4-6450830-9](#) [4-6600333-3](#) [10125416-4050LF](#)
[6600320-3](#) [3-6450860-5](#) [1888123-2](#) [6450166-1](#) [6643978-1](#) [6766605-1](#) [N11444](#) [6651938-1](#) [6450810-7](#) [46437-1112](#) [1-1589677-8](#) [5646956-5](#)
[6450813-2](#) [6450129-4](#) [1645523-1](#) [PSS-06-01-T-S](#) [0465621864](#)