

# Customer Information Sheet

DRAWING No.: M80-28300XX & M80-28400XX

IF IN DOUBT - ASK

©

NOT TO SCALE

THIRD ANGLE PROJECTION

ALL DIMENSIONS IN mm

## SPECIFICATION:

MATERIAL:  
BERYLLIUM COPPER

FINISH (ALL OVER NICKEL):

45 = 0.3µm MIN GOLD, ALL OVER  
42 = SELECTIVE 3µm MIN 100% TIN AND 0.3µm MIN GOLD

MECHANICAL:

INSERTION FORCE = 2.8N MAX, 1.0N MIN  
WITHDRAWAL FORCE = 1.8N MAX, 0.2N MIN  
DURABILITY = 400 OPERATIONS

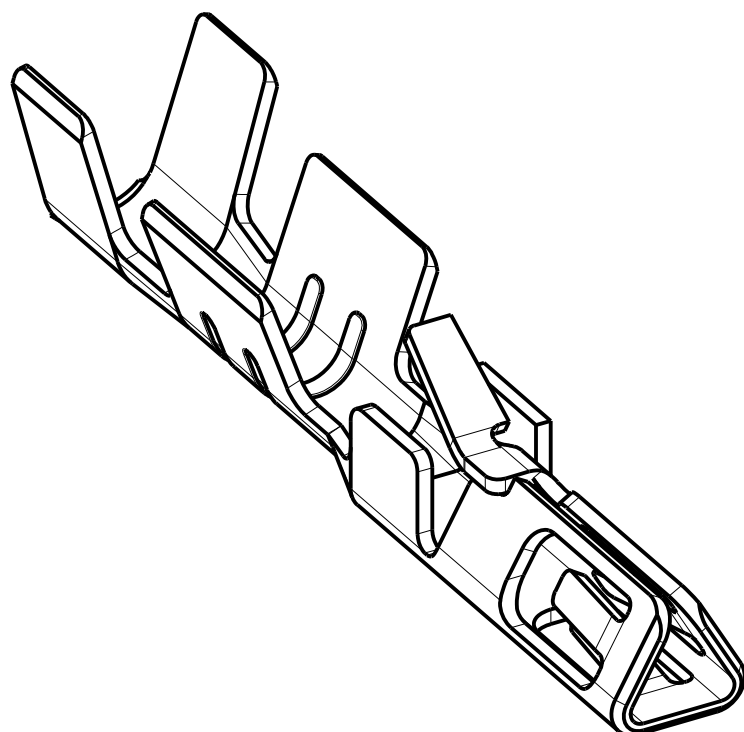
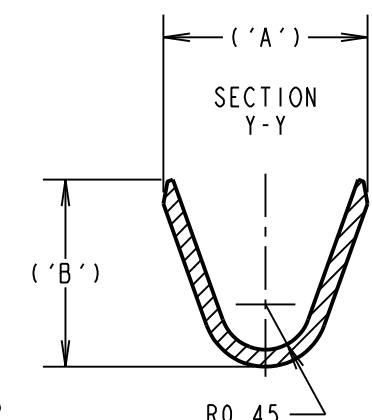
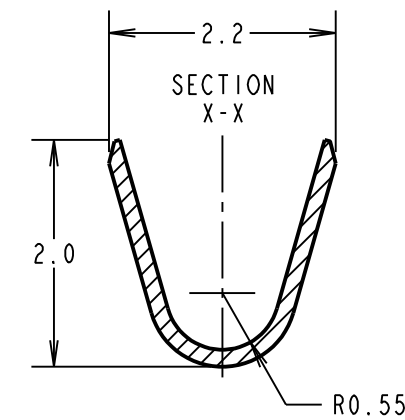
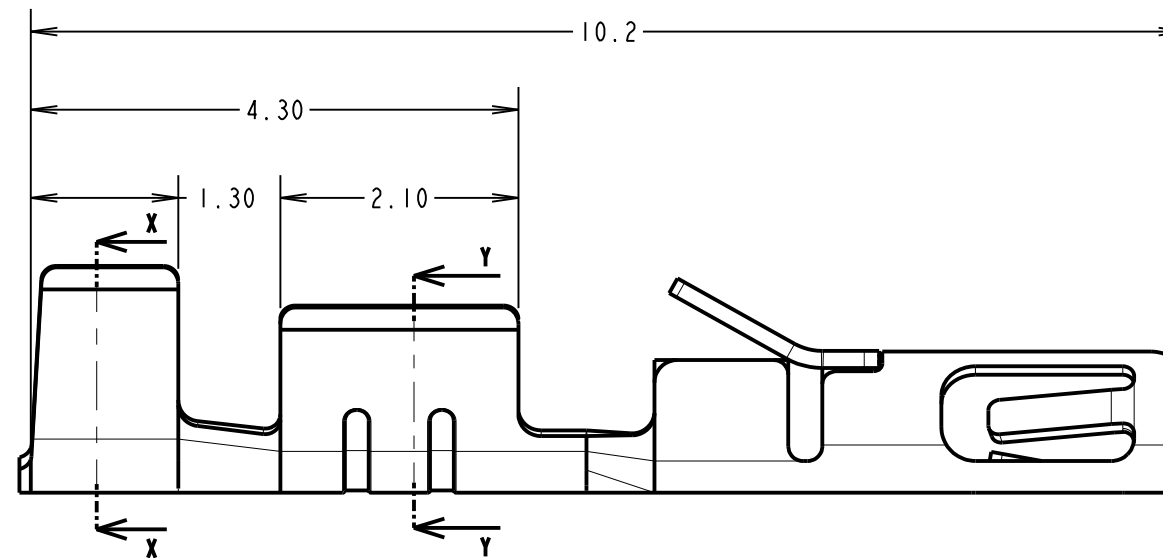
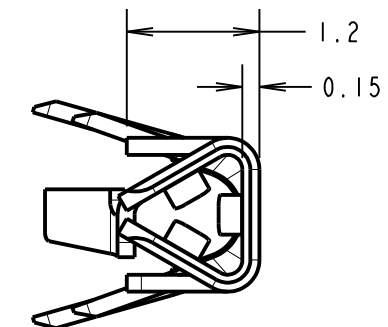
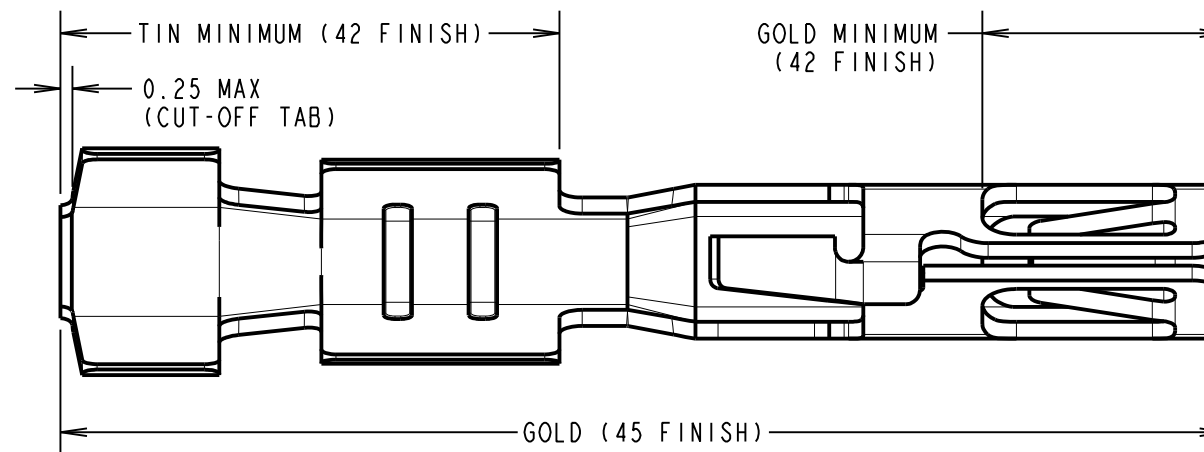
ENVIRONMENTAL:

OPERATING TEMPERATURE = -55°C TO +125°C

PACKING:

LOOSE, 100/BAG ONE OR MORE BAGS PER BOX

FOR COMPLETE CONNECTOR SPECIFICATION, SEE  
COMPONENT SPECIFICATION C040XX (LATEST ISSUE)



### NOTES:

- TO BE USED WITH THE FOLLOWING FEMALE HOUSING:  
M80-454XX98 = HOUSING ONLY  
M80-455XX98 = HOUSING + SLOTTED JACKSCREW  
M80-456XX98 = HOUSING + HEX SOCKET JACKSCREW  
M80-457XX98 = HOUSING + REVERSE FIX JACKSCREW  
M80-458XX98 = HOUSING + GUIDE AND BOARD MOUNT  
M80-459XX98 = HOUSING + 10ILOK SCREWS
- RECOMMENDED WIRE TYPE = BS 3G 210 TYPE A, WIRE 22-28 AWG, WIRE INSULATION Ø0.6mm-Ø1.1mm. STRIP WIRE BY 2.7-3.0mm FOR CRIMPING.
- RECOMMENDED CRIMP HEIGHTS:  
0.76-0.82mm FOR 22-24 AWG CONTACTS  
0.50-0.56mm FOR 26-28 AWG CONTACTS
- CRIMP SUITABLE FOR PROCESSING WITH HANDCRIMP TOOL Z80-255. SEE TOOLING INSTRUCTION SHEET IS-27 FOR CRIMPING INSTRUCTIONS.
- CONTACTS ARE AVAILABLE ON REELS, PART NUMBER M80-25300XX FOR 24-22 AWG WIRE AND M80-25400XX FOR 28-26 AWG WIRE, SUITABLE FOR PROCESSING WITH LEFT SIDE FEED CRIMPING PRESS. CONTACT [datamate@harwin.com](mailto:datamate@harwin.com) FOR DETAILS.

PART No.	DIMENSION	
	'A'	'B'
M80-28300XX	1.8 ±0.2	1.7 ±0.2
M80-28400XX	1.3 ±0.2	1.0 ±0.2

ORDER CODE: **M80-XXX00XX**

WIRE SIZE:  
283 = 24-22 AWG (0.22-0.34mm<sup>2</sup>)  
284 = 28-26 AWG (0.08-0.12mm<sup>2</sup>)

FINISH:  
45 = GOLD, ALL OVER  
42 = 100% TIN & GOLD, SELECTIVE

MGP	9	01.03.21	21843
NAME	ISS.	DATE	CN/CO
APPROVED: MGP			
CHECKED: RTP			
DRAWN: B. M. KENT			
CUSTOMER REF.:			
ASSEMBLY DRG:			

# HARWIN

[www.harwin.com](http://www.harwin.com)  
[technical@harwin.com](mailto:technical@harwin.com)

THIS DRAWING AND ANY INFORMATION OR DESCRIPTIVE MATTER SET OUT HEREON ARE CONFIDENTIAL AND COPYRIGHT PROPERTY OF THE HARWIN GROUP AND MUST NOT BE DISCLOSED, LOANED, COPIED OR USED FOR MANUFACTURING, TENDERING OR FOR ANY OTHER PURPOSE WITHOUT THEIR WRITTEN PERMISSION.

### TOLERANCES

X. = ±1mm  
X.X = ±0.50mm  
X.XX = ±0.20mm  
X.XXX = ±0.01mm  
ANGLES = ±5°  
UNLESS STATED

### MATERIAL:

SEE ABOVE

### FINISH:

SEE ABOVE

### S/AREA:

mm<sup>2</sup>

TITLE: DATAMATE TRIO-TEK  
FEMALE CRIMP CONTACT LOOSE  
24-22 AWG & 28-26 AWG

DRAWING NUMBER:

**M80-28300XX & M80-28400XX**

SHT  
2 OF 2

## X-ON Electronics

Largest Supplier of Electrical and Electronic Components

*Click to view similar products for [Headers & Wire Housings](#) category:*

*Click to view products by [Harwin](#) manufacturer:*

Other Similar products are found below :

[892-18-020-10-001101](#) [58102-G61-06LF](#) [582553-1](#) [0009485154](#) [009176003701906](#) [0050291907](#) [LY20-4P-DT1-P1E-BR](#) [02.125.8002.8](#)  
[609-3404](#) [61062-3](#) [622-0430](#) [622-3653LF](#) [63453-116](#) [636-1030](#) [636-1427](#) [636-3427](#) [636-4007](#) [641938-9](#) [641991-4](#) [644827-2](#) [65817-010LF](#)  
[65817-015LF](#) [65863-015LF](#) [66207-023LF](#) [67095-007LF](#) [67601157](#) [68648-049](#) [70.362.1628.0](#) [70-4210](#) [70-4226B](#) [70-4853B](#) [707-5020](#) [707-](#)  
[5028](#) [71.350.2428.0](#) [71918-208LF](#) [71961-016LF](#) [733-134](#) [733-162](#) [754199-000](#) [760-3052](#) [787-8014-00](#) [79531-3000](#) [FCN-360C032-B](#) [FCN-](#)  
[367T-T012/H](#) [FCN-723D010/2](#) [80.063.4001.1](#) [800-90-001-10-001000](#) [800-90-010-10-002000](#) [801-43-002-10-013000](#) [801-43-006-10-002000](#)