

# Customer Information Sheet

DRAWING No.: M80-301 TO M80-302

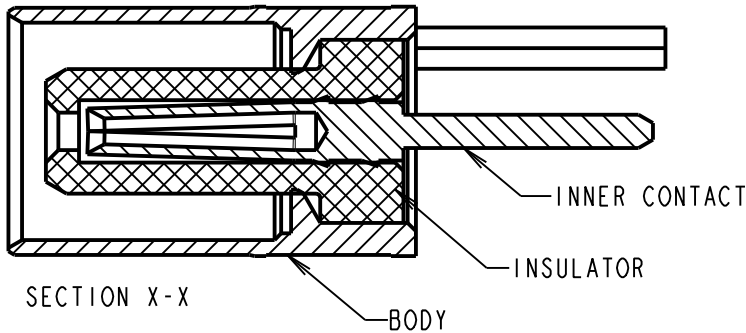
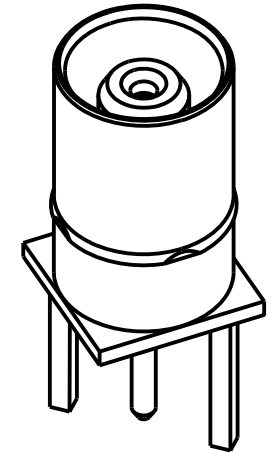
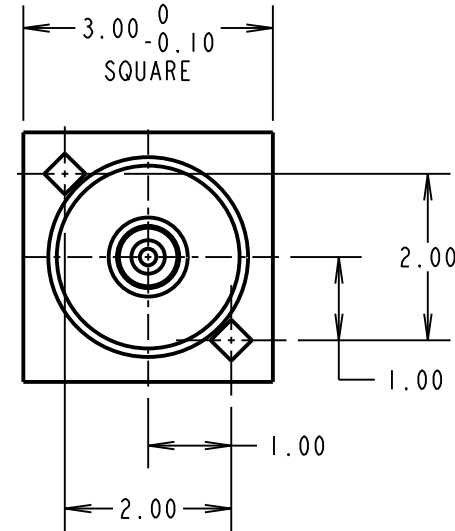
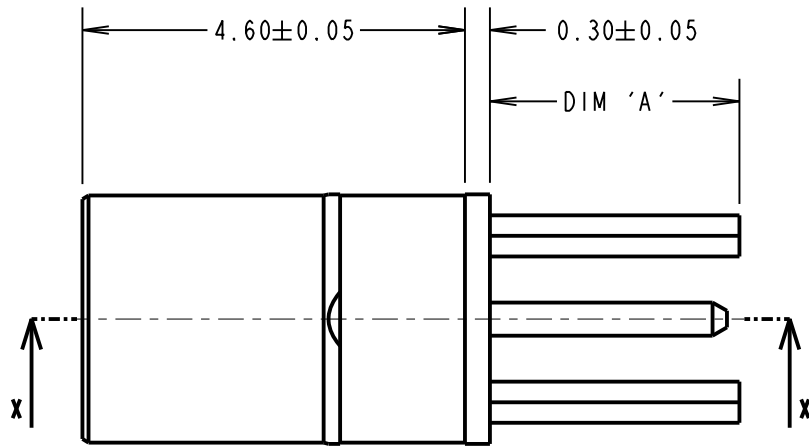
IF IN DOUBT - ASK

(C)

NOT TO SCALE

THIRD ANGLE PROJECTION

ALL DIMENSIONS IN mm



| PART No. | DIM 'A' |
|----------|---------|
| M80-301  | 3.00    |
| M80-302  | 4.50    |

|                        |      |          |       |
|------------------------|------|----------|-------|
| RA                     | 6    | 02.06.21 | 30568 |
| NAME                   | ISS. | DATE     | CN/CO |
| APPROVED: R. ALEXANDER |      |          |       |
| CHECKED: M. RUDKIN     |      |          |       |
| DRAWN: B. M. KENT      |      |          |       |
| CUSTOMER REF.:         |      |          |       |
| ASSEMBLY DRG:          |      |          |       |

**NOTES:**

- CONNECTORS COMES SUPPLIED ASSEMBLED.
- RECOMMENDED PCB HOLE SIZE =  $\varnothing 0.60$ mm MIN.
- FOR FULL SPECIFICATION SEE COMPONENT SPECIFICATION C005XX (LATEST ISSUE).

## HARWIN

www.harwin.com  
technical@harwin.com

THIS DRAWING AND ANY INFORMATION OR DESCRIPTIVE MATTER SET OUT HEREON ARE CONFIDENTIAL AND COPYRIGHT PROPERTY OF THE HARWIN GROUP AND MUST NOT BE DISCLOSED, LOANED, COPIED OR USED FOR MANUFACTURING, TENDERING OR FOR ANY OTHER PURPOSE WITHOUT THEIR WRITTEN PERMISSION.

**TOLERANCES**  
 X. =  $\pm 1$ mm  
 X.X =  $\pm 0.50$ mm  
 X.XX =  $\pm 0.20$ mm  
 X.XXX =  $\pm 0.01$ mm  
 ANGLES =  $\pm 5^\circ$   
 UNLESS STATED

**MATERIAL:**  
 COPPER ALLOY WITH  
 PTFE INSULATOR

**FINISH:** GOLD  
**S/AREA:** mm<sup>2</sup>

**TITLE:** DATAMATE MIX-TEK  
 COAX CONTACT  
 FEMALE VERTICAL PC-TAIL

**DRAWING NUMBER:**  
**M80-301 TO M80-302**

SHT  
 2 OF 2

## X-ON Electronics

Largest Supplier of Electrical and Electronic Components

*Click to view similar products for [Power to the Board](#) category:*

*Click to view products by [Harwin](#) manufacturer:*

Other Similar products are found below :

[6450171-4](#) [6450552-7](#) [6600323-8](#) [6643429-1](#) [6646040-2](#) [6651939-1](#) [6766604-1](#) [120959-1](#) [1393557-2](#) [1393532-2](#) [1393532-3](#) [1393532-4](#)  
[1393557-1](#) [1600812-5](#) [1-6450861-2](#) [1744132-7](#) [1761122-1](#) [1766250-1](#) [1892109-1](#) [2-6450860-5](#) [2-6450870-0](#) [1-6450161-4](#) [1-6450850-6](#) [1-6450869-6](#) [1645526-2](#) [1-6600130-0](#) [2005243-2](#) [377-0020-11130](#) [TE34-12-16P-F0](#) [5-6450830-6](#) [5646956-4](#) [377-0080-11131A](#) [4-6450830-9](#)  
[4-6600333-3](#) [10125416-4050LF](#) [6600320-3](#) [3-6450860-5](#) [1888123-2](#) [6450166-1](#) [6643978-1](#) [6766605-1](#) [701-15-02109](#) [N11444](#) [6651938-1](#)  
[6450810-7](#) [46437-1112](#) [1-1589677-8](#) [5646956-5](#) [6450813-2](#) [6450129-4](#)