

# Customer Information Sheet

DRAWING No.: M80-321 TO M80-322

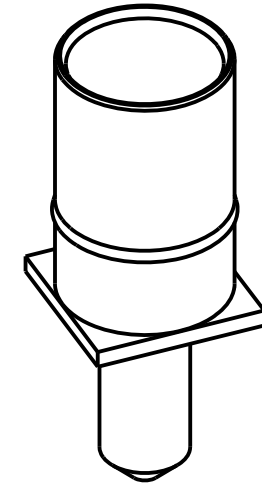
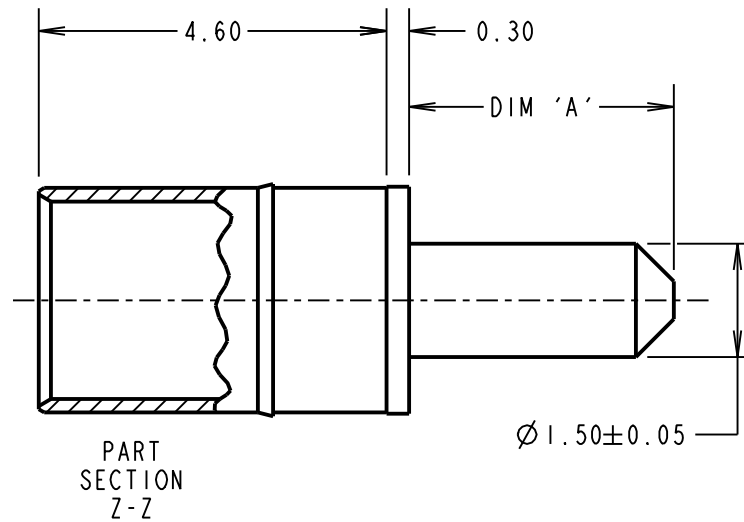
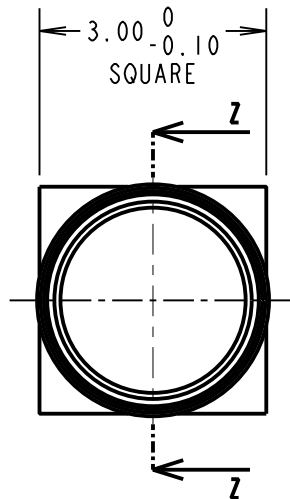
IF IN DOUBT - ASK

(C)

NOT TO SCALE

THIRD ANGLE PROJECTION

ALL DIMENSIONS IN mm



**SPECIFICATIONS:**

**MATERIALS:**

BODY = COPPER ALLOY

**FINISH:**

BODY = GOLD

**ELECTRICAL:**

CONTACT RESISTANCE =  $6m\Omega$  MAX

CURRENT RATING = 20A

**MECHANICAL:**

DURABILITY = 500 OPERATIONS

INSERTION FORCE = 8N MAX

WITHDRAWAL FORCE = 0.5N MIN

**ENVIRONMENTAL:**

TEMPERATURE RANGE =  $-55^{\circ}C$  TO  $+125^{\circ}C$

PART No.	DIM 'A'
M80-321	3.50
M80-322	5.00

**NOTES:**

1. RECOMMENDED PCB HOLE SIZE =  $\phi 1.60mm$  MIN.
2. FOR ALL OTHER ELECTRICAL/MECHANICAL REQUIREMENTS, SEE COMPONENT SPECIFICATION C005XX (LATEST ISSUE).

RTP	8	04.03.20	30016
NAME	ISS.	DATE	C/NOTE
APPROVED: R. PORTLOCK			
CHECKED: M. RUDKIN			
DRAWN: W. J. BOURNE			
CUSTOMER REF.:			
ASSEMBLY DRG:			

**HARWIN**

www.harwin.com  
technical@harwin.com

THIS DRAWING AND ANY INFORMATION OR DESCRIPTIVE MATTER SET OUT HEREON ARE CONFIDENTIAL AND COPYRIGHT PROPERTY OF THE HARWIN GROUP AND MUST NOT BE DISCLOSED, LOANED, COPIED OR USED FOR MANUFACTURING, TENDERING OR FOR ANY OTHER PURPOSE WITHOUT THEIR WRITTEN PERMISSION.

**TOLERANCES**  
X. =  $\pm 1mm$   
X.X =  $\pm 0.50mm$   
X.XX =  $\pm 0.20mm$   
X.XXX =  $\pm 0.01mm$   
**ANGLES =  $\pm 5^{\circ}$**   
**UNLESS STATED**

**MATERIAL:**  
SEE ABOVE  
**FINISH:** SEE ABOVE  
**S/AREA:** SEE SHEET 1 mm<sup>2</sup>

**TITLE:** DATAMATE MIX-TEK  
POWER CONTACT  
FEMALE VERTICAL PC-TAIL

**DRAWING NUMBER:**  
**M80-321 TO M80-322**

SHT  
2 OF 2

## X-ON Electronics

Largest Supplier of Electrical and Electronic Components

*Click to view similar products for [Power to the Board](#) category:*

*Click to view products by [Harwin](#) manufacturer:*

Other Similar products are found below :

[6450171-4](#) [6450552-7](#) [6600323-8](#) [6643429-1](#) [6646040-2](#) [6651939-1](#) [6766604-1](#) [120959-1](#) [1393557-2](#) [1393532-2](#) [1393532-3](#) [1393532-4](#)  
[1393557-1](#) [1600812-5](#) [1-6450861-2](#) [1744132-7](#) [1761122-1](#) [1766250-1](#) [1892109-1](#) [2-6450860-5](#) [2-6450870-0](#) [1-6450161-4](#) [1-6450850-6](#) [1-](#)  
[6450869-6](#) [1645526-2](#) [1-6600130-0](#) [2005243-2](#) [TE34-12-16P-F0](#) [5-6450830-6](#) [5646956-4](#) [4-6450830-9](#) [4-6600333-3](#) [10125416-4050LF](#)  
[6600320-3](#) [3-6450860-5](#) [1888123-2](#) [6450166-1](#) [6643978-1](#) [6766605-1](#) [N11444](#) [6651938-1](#) [6450810-7](#) [46437-1112](#) [1-1589677-8](#) [5646956-5](#)  
[6450813-2](#) [6450129-4](#) [1645523-1](#) [PSS-06-01-T-S](#) [0465621864](#)