

# Customer Information Sheet

DRAWING No.: M80-326 TO M80-327

SHEET 2 OF 2

IF IN DOUBT - ASK

(C)

NOT TO SCALE

THIRD ANGLE PROJECTION

ALL DIMENSIONS IN mm

**SPECIFICATIONS:**

**MATERIALS:**

BODY = BRASS

LATCHING COLLAR = BERYLLIUM COPPER

**FINISH:**

BODY = GOLD

LATCHING COLLAR = NICKEL

**ELECTRICAL:**

CONTACT RESISTANCE =  $6m\Omega$  MAX

CURRENT RATING = SEE TABLE (CABLE DEPENDENT)

**MECHANICAL:**

DURABILITY = 500 OPERATIONS

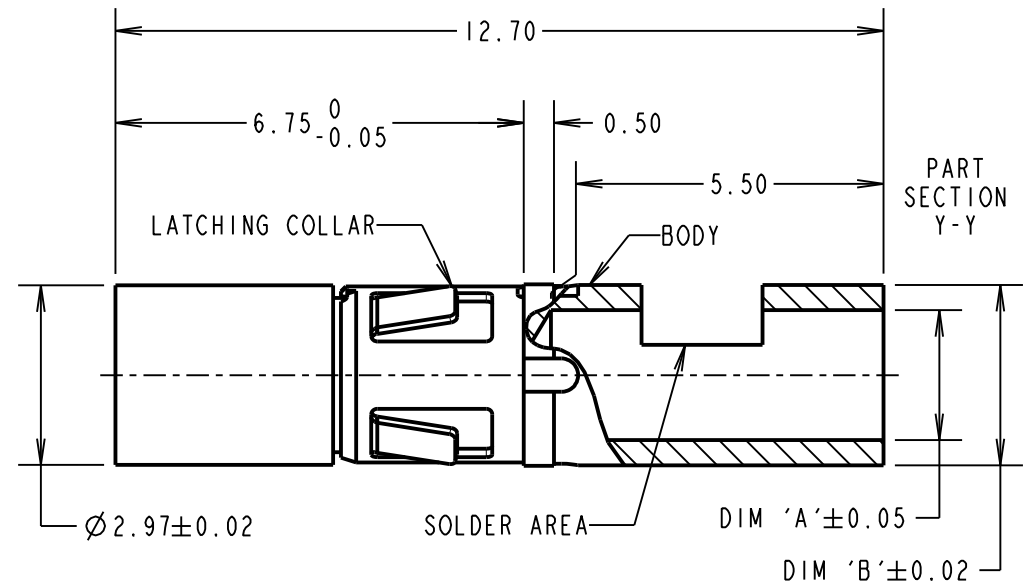
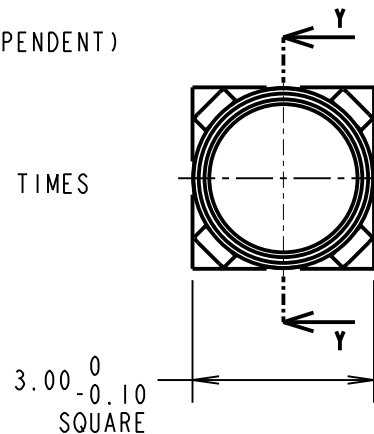
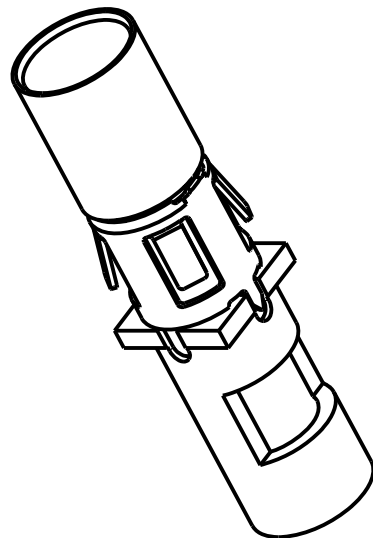
INSERTION FORCE = 8N MAX

WITHDRAWAL FORCE = 0.5N MIN

CONTACT REPLACEMENT IN INSULATOR = 5 TIMES

**ENVIRONMENTAL:**

TEMPERATURE RANGE =  $-55^{\circ}\text{C}$  TO  $+125^{\circ}\text{C}$



**NOTES:**

1. CONNECTOR COMES SUPPLIED ASSEMBLED.
2. STRIP WIRE BY 5.00mm MINIMUM.
3. CONTACT EXTRACTION TOOL = Z80-290
4. FOR ALL OTHER ELECTRICAL/MECHANICAL REQUIREMENTS, SEE COMPONENT SPECIFICATION C005XX (LATEST ISSUE).

PART No.	DIM 'A'	DIM 'B'	WIRE SIZE	CURRENT RATING
M80-326	$\varnothing 2.15$	$\varnothing 2.97$	14 AWG (19/0.30 OR 19/0.34)	15A
M80-327	$\varnothing 1.75$	$\varnothing 2.97$	16 AWG (19/0.25 OR 19/0.30)	10A
M80-32D	$\varnothing 1.75$	$\varnothing 2.97$	16 AWG (19/0.25 OR 19/0.30)	10A

MGP	6	04.01.13	11898
NAME	ISS.	DATE	C/NOTE
APPROVED: MGP			
CHECKED: SB			
DRAWN: W. J. BOURNE			
CUSTOMER REF.:			
ASSEMBLY DRG:			

**HARWIN**

www.harwin.com  
technical@harwin.com

THIS DRAWING AND ANY INFORMATION OR DESCRIPTIVE MATTER SET OUT HEREON ARE CONFIDENTIAL AND COPYRIGHT PROPERTY OF THE HARWIN GROUP AND MUST NOT BE DISCLOSED, LOANED, COPIED OR USED FOR MANUFACTURING, TENDERING OR FOR ANY OTHER PURPOSE WITHOUT THEIR WRITTEN PERMISSION.

**TOLERANCES**  
X. =  $\pm 1\text{mm}$   
X.X =  $\pm 0.25\text{mm}$   
X.XX =  $\pm 0.10\text{mm}$   
X.XXX =  $\pm 0.01\text{mm}$   
**ANGLES =  $\pm 5^{\circ}$**   
**UNLESS STATED**

**MATERIAL:**

SEE ABOVE

**FINISH:** SEE ABOVE

**S/AREA:** mm<sup>2</sup>

**TITLE:** DATAMATE MIX-TEK  
POWER CONTACT  
FEMALE STRAIGHT SOLDER

**DRAWING NUMBER:**

**M80-326 TO M80-327**

SHT  
2 OF 2

## X-ON Electronics

Largest Supplier of Electrical and Electronic Components

*Click to view similar products for [Power to the Board](#) category:*

*Click to view products by [Harwin](#) manufacturer:*

Other Similar products are found below :

[6450171-4](#) [6450552-7](#) [6600323-8](#) [6643429-1](#) [6646040-2](#) [6651939-1](#) [6766604-1](#) [120959-1](#) [1393557-2](#) [1393532-2](#) [1393532-3](#) [1393532-4](#)  
[1393557-1](#) [1600812-5](#) [1-6450861-2](#) [1744132-7](#) [1761122-1](#) [1766250-1](#) [1892109-1](#) [2-6450860-5](#) [2-6450870-0](#) [1-6450161-4](#) [1-6450850-6](#) [1-6450869-6](#) [1645526-2](#) [1-6600130-0](#) [2005243-2](#) [377-0020-11130](#) [TE34-12-16P-F0](#) [5-6450830-6](#) [5646956-4](#) [377-0080-11131A](#) [4-6450830-9](#)  
[4-6600333-3](#) [10125416-4050LF](#) [6600320-3](#) [3-6450860-5](#) [1888123-2](#) [6450166-1](#) [6643978-1](#) [6766605-1](#) [701-15-02109](#) [N11444](#) [6651938-1](#)  
[6450810-7](#) [46437-1112](#) [1-1589677-8](#) [5646956-5](#) [6450813-2](#) [6450129-4](#)