

Customer Information Sheet

DRAWING No.: M80-335

SHEET 2 OF 2

IF IN DOUBT - ASK

(C)

NOT TO SCALE

THIRD ANGLE PROJECTION

ALL DIMENSIONS IN mm

SPECIFICATIONS:

MATERIALS:

BODY = COPPER ALLOY

LATCHING COLLAR = BERYLLIUM COPPER

FINISH:

BODY = GOLD

LATCHING COLLAR = NICKEL

ELECTRICAL:

CONTACT RESISTANCE = $6m\Omega$ MAX

CURRENT RATING = 20A (CABLE DEPENDENT)

MECHANICAL:

DURABILITY = 500 OPERATIONS

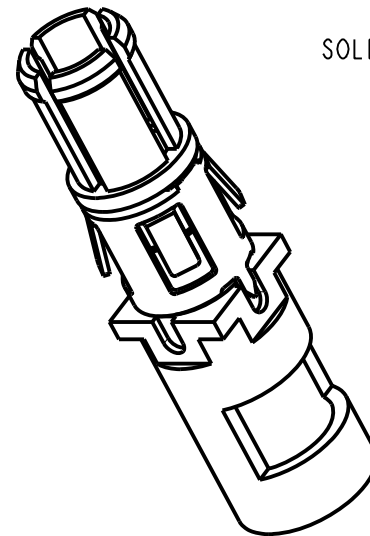
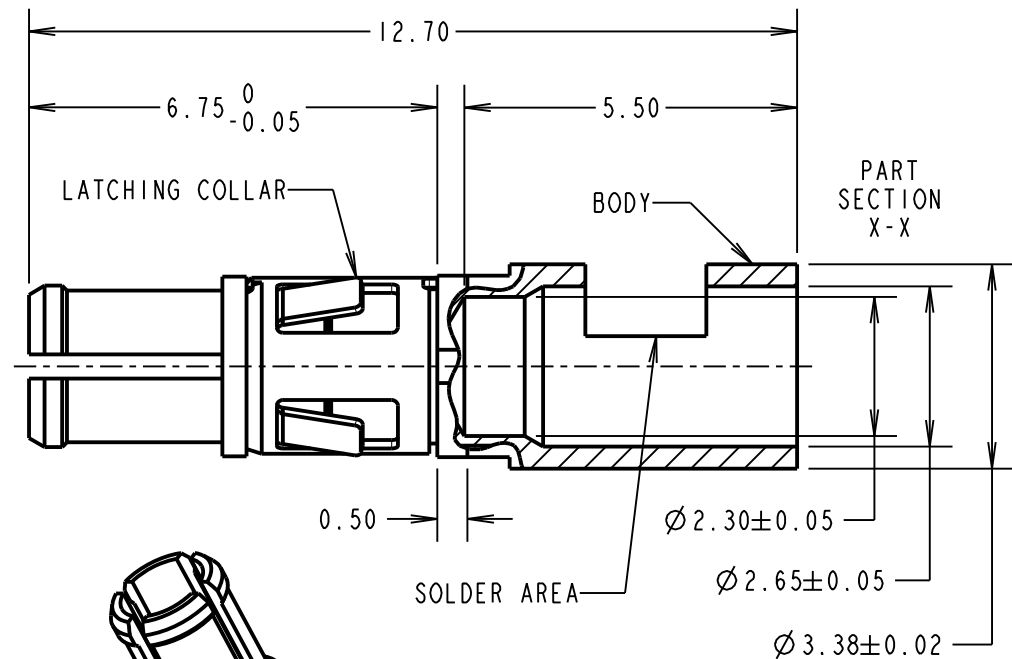
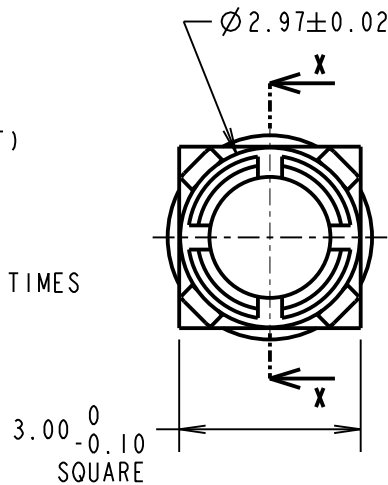
INSERTION FORCE = 8N MAX

WITHDRAWAL FORCE = 0.5N MIN

CONTACT REPLACEMENT IN INSULATOR = 5 TIMES

ENVIRONMENTAL:

TEMPERATURE RANGE = $-55^{\circ}C$ TO $+125^{\circ}C$



NOTES:

- CONNECTOR COMES SUPPLIED ASSEMBLED.
- STRIP WIRE BY 5.00mm MINIMUM.
- CONTACT EXTRACTION TOOL = Z80-290
- FOR ALL OTHER ELECTRICAL/MECHANICAL REQUIREMENTS, SEE COMPONENT SPECIFICATION C005XX (LATEST ISSUE).
- MAX CABLE SIZE = $\varnothing 2.25$ / 12 AWG (37/0.32 OR 19/0.45)

MGP	6	04.01.13	11898
NAME	ISS.	DATE	C/NOTE
APPROVED: MGP			
CHECKED: SB			
DRAWN: W. J. BOURNE			
CUSTOMER REF.:			
ASSEMBLY DRG:			

HARWIN

www.harwin.com
technical@harwin.com

THIS DRAWING AND ANY INFORMATION OR DESCRIPTIVE MATTER SET OUT HEREON ARE CONFIDENTIAL AND COPYRIGHT PROPERTY OF THE HARWIN GROUP AND MUST NOT BE DISCLOSED, LOANED, COPIED OR USED FOR MANUFACTURING, TENDERING OR FOR ANY OTHER PURPOSE WITHOUT THEIR WRITTEN PERMISSION.

TOLERANCES

X. = $\pm 1mm$
X.X = $\pm 0.25mm$
X.XX = $\pm 0.10mm$
X.XXX = $\pm 0.01mm$
ANGLES = $\pm 5^{\circ}$
UNLESS STATED

MATERIAL:

SEE ABOVE

FINISH:

SEE ABOVE

S/AREA:

mm²

TITLE:

DATAMATE MIX-TEK
POWER CONTACT
MALE STRAIGHT SOLDER

DRAWING NUMBER:

M80-335

SHT
2 OF 2

X-ON Electronics

Largest Supplier of Electrical and Electronic Components

Click to view similar products for [Power to the Board](#) category:

Click to view products by [Harwin](#) manufacturer:

Other Similar products are found below :

[6450171-4](#) [6450552-7](#) [6600323-8](#) [6643429-1](#) [6646040-2](#) [6651939-1](#) [6766604-1](#) [120959-1](#) [1393557-2](#) [1393532-2](#) [1393532-3](#) [1393532-4](#)
[1393557-1](#) [1600812-5](#) [1-6450861-2](#) [1744132-7](#) [1761122-1](#) [1766250-1](#) [1892109-1](#) [2-6450860-5](#) [2-6450870-0](#) [1-6450161-4](#) [1-6450850-6](#) [1-](#)
[6450869-6](#) [1645526-2](#) [1-6600130-0](#) [2005243-2](#) [TE34-12-16P-F0](#) [5-6450830-6](#) [5646956-4](#) [4-6450830-9](#) [4-6600333-3](#) [10125416-4050LF](#)
[6600320-3](#) [3-6450860-5](#) [1888123-2](#) [6450166-1](#) [6643978-1](#) [6766605-1](#) [N11444](#) [6651938-1](#) [6450810-7](#) [46437-1112](#) [1-1589677-8](#) [5646956-5](#)
[6450813-2](#) [6450129-4](#) [1645523-1](#) [PSS-06-01-T-S](#) [0465621864](#)