

# Customer Information Sheet

DRAWING No.: M80-4C1XXXXFC

IF IN DOUBT - ASK

©

NOT TO SCALE

THIRD ANGLE PROJECTION

ALL DIMENSIONS IN mm

**SPECIFICATIONS:**

**MATERIAL:**  
 MOULDING = GLASS-FILLED PPS, UL94V-0, BLACK  
 CONTACT CLIP = BERYLLIUM COPPER  
 CONTACT SHELL = BRASS  
 101-SCREW, COLLAR = STAINLESS STEEL  
 SPRING = MUSIC WIRE

**FINISH:**  
 05 = 0.3µm GOLD CLIP, 0.25-0.3µm GOLD SHELL  
 42 = 0.3µm GOLD CLIP, 3.5-5.0µm 100% TIN OVER NICKEL SHELL  
 05 & 42 = TIN COATED SPRINGS

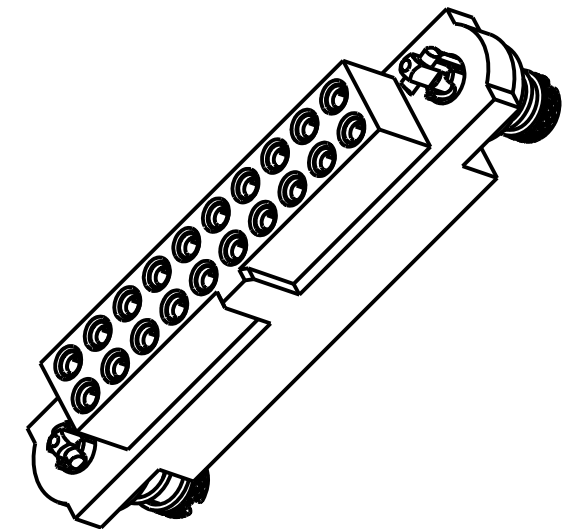
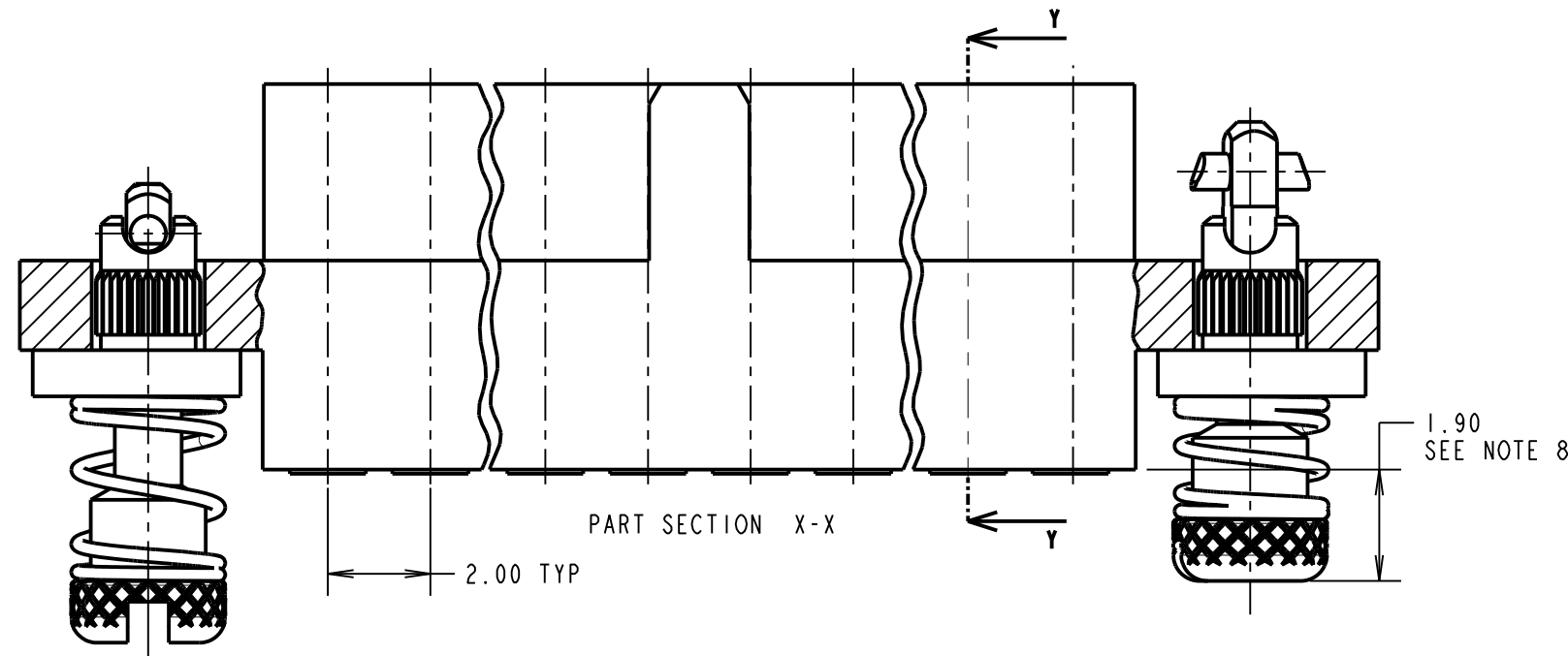
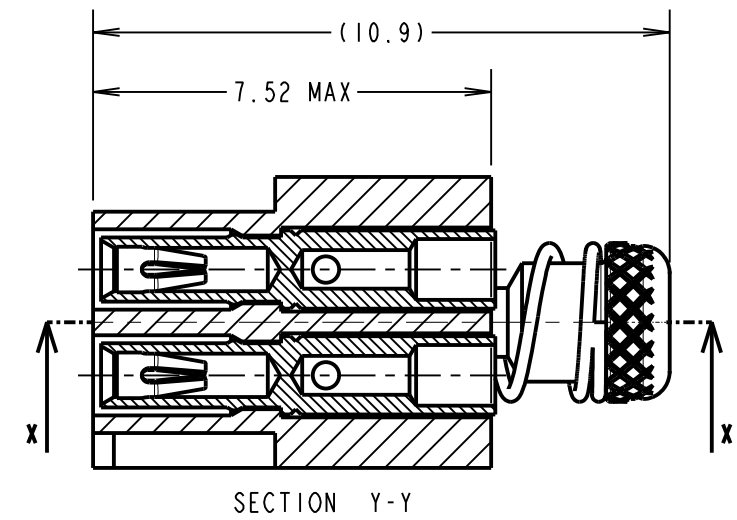
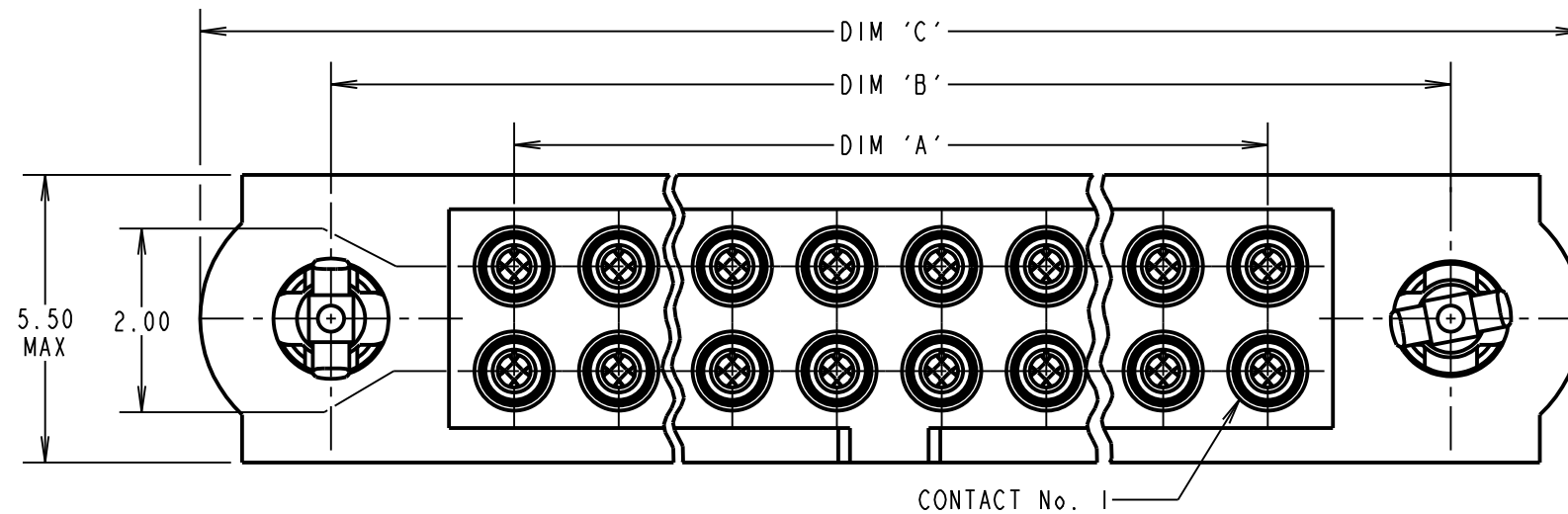
**ELECTRICAL:**  
 CURRENT RATING AT 25°C = 3.3A MAX  
 CURRENT RATING AT 85°C = 2.6A MAX  
 WORKING VOLTAGE = 800V AC/DC  
 VOLTAGE PROOF = 1200V AC/DC  
 CONTACT RESISTANCE = 25mΩ MAX  
 INSULATION RESISTANCE = 100MΩ MIN

**MECHANICAL:**  
 INSERTION FORCE (∅0.5mm GAUGE) = 2.0N MAX  
 WITHDRAWAL FORCE (∅0.5mm GAUGE) = 0.2N MIN

**ENVIRONMENTAL:**  
 TEMPERATURE RANGE = -55°C TO +125°C

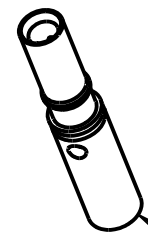
**PACKING:**  
 LOOSE

FOR COMPLETE SPECIFICATION, SEE COMPONENT SPECIFICATION C005XX (LATEST ISSUE)



**NOTES:**

- CONNECTOR IS SUPPLIED WITH CONTACTS LOOSE.
- FOR EXTRA CONTACTS, USE PART No.'s.  
 M80-0130001 FOR M80-4C1XX42FC  
 M80-0130005 FOR M80-4C1XX05FC
- RECOMMENDED WIRE TYPE = BS 3G 210 TYPE A, PTFE INSULATED 24-28 AWG. MAX INSULATION DIAMETER = ∅1.10mm, STRIP WIRE BY 2.00mm.
- RECOMMENDED HAND CRIMP TOOL = M22520/2-01 WITH POSITIONER T5747.
- CONTACT INSERTION & EXTRACTION TOOL = Z80-280
- INSTRUCTION SHEETS ARE AVAILABLE.
- SPRING LOAD WHEN SOLID = 2.642N.  
 SPRING RATE = 1.32N/mm.
- LENGTH WILL BE 1.90mm WHEN 101-SCREWS ARE ENGAGED WITH RETAINERS IN MATING CONNECTOR.



CONTACT: (QTY = TOTAL No. OF CONTACTS)  
 M80-01300XX (SEE NOTE 2)

05 = GOLD CLIP, GOLD SHELL  
 01 = GOLD CLIP, 100% TIN OVER NICKEL SHELL

ORDER CODE: **M80-4C1XXXXFC**

TOTAL No. OF CONTACTS  
 04 TO 50  
 (EVEN NUMBERS ONLY)

FINISH CODE  
 05 - GOLD CLIP, GOLD SHELL  
 42 - GOLD CLIP, 100% TIN, OVER NICKEL SHELL

DIMENSION	CALCULATION
DIM 'A'	TOTAL No. OF CONTACTS - 2
DIM 'B'	TOTAL No. OF CONTACTS + 5
DIM 'C'	TOTAL NUMBER CONTACTS + 10

EXAMPLE ORDER CODE 2: CONNECTOR WITH 20 SIGNAL CONTACTS, GOLD CLIP AND 100% TIN SHELL

M80-4C12042FC

DIM 'A' = 18.00mm, DIM 'B' = 25.00mm, DIM 'C' = 30.00mm.

**HARWIN**

www.harwin.com  
 technical@harwin.com

THIS DRAWING AND ANY INFORMATION OR DESCRIPTIVE MATTER SET OUT HEREON ARE CONFIDENTIAL AND COPYRIGHT PROPERTY OF THE HARWIN GROUP AND MUST NOT BE DISCLOSED, LOANED, COPIED OR USED FOR MANUFACTURING, TENDERING OR FOR ANY OTHER PURPOSE WITHOUT THEIR WRITTEN PERMISSION.

**TOLERANCES**  
 X. = ±1mm  
 X.X = ±0.50mm  
 X.XX = ±0.20mm  
 X.XXX = ±0.01mm  
 ANGLES = ±5°  
 UNLESS STATED

**MATERIAL:**  
 SEE ABOVE  
**FINISH:** SEE ABOVE  
**S/AREA:** mm<sup>2</sup>

**TITLE:** DATAMATE J-TEK FEMALE CRIMP ASSY (SMALL BORE) WITH 101LOK JACKSCREWS

**DRAWING NUMBER:** M80-4C1XXXXFC **SHT** 2 OF 2

RTP	4	16.05.19	21531
NAME	ISS.	DATE	C/NOTE
APPROVED: R.PORTLOCK			
CHECKED: M.RUDKIN			
DRAWN: S.FLOWER			
CUSTOMER REF.:			
ASSEMBLY DRG:			

## X-ON Electronics

Largest Supplier of Electrical and Electronic Components

*Click to view similar products for [Heavy Duty Power Connectors](#) category:*

*Click to view products by [Harwin](#) manufacturer:*

Other Similar products are found below :

[647757-1](#) [6643411-1](#) [6646058-2](#) [6646137-1](#) [6646138-1](#) [6646479-1](#) [6646608-1](#) [6646786-1](#) [6646940-1](#) [6651091-1](#) [6651525-1](#) [6651529-1](#)  
[6651788-1](#) [696475-1](#) [73000005059](#) [73000005642](#) [765-15-0080A](#) [765-16-0080B](#) [829992-1](#) [902-77-02113](#) [129-1J](#) [AN0024023](#) [E6374G1](#)  
[e6389g2](#) [157-43GW8](#) [MS3117-14AC](#) [1643543-1](#) [1650540-1](#) [1651811-2](#) [1766260-1](#) [1766282-1](#) [1766966-1](#) [1791340000](#) [NLDFT-3-BL-L-](#)  
[S120-M40A](#) [NLDFT-N-W-L-C240-M40B](#) [NLS-2-R-C240-M40B](#) [NLS-N-W-C240-M40B](#) [NPS-3-BL-T6](#) [1986615-1](#) [2-1589900-8](#) [2199314-1](#)  
[KA8102](#) [9300480317](#) [SBS50BRN#6](#) [29131](#) [29652](#) [1646905-1](#) [1648320-1](#) [1648582-1](#) [1650195-2](#)