

Customer Information Sheet

DRAWING No.: M80-5000000MI-XX-XXX-00-000

IF IN DOUBT - ASK

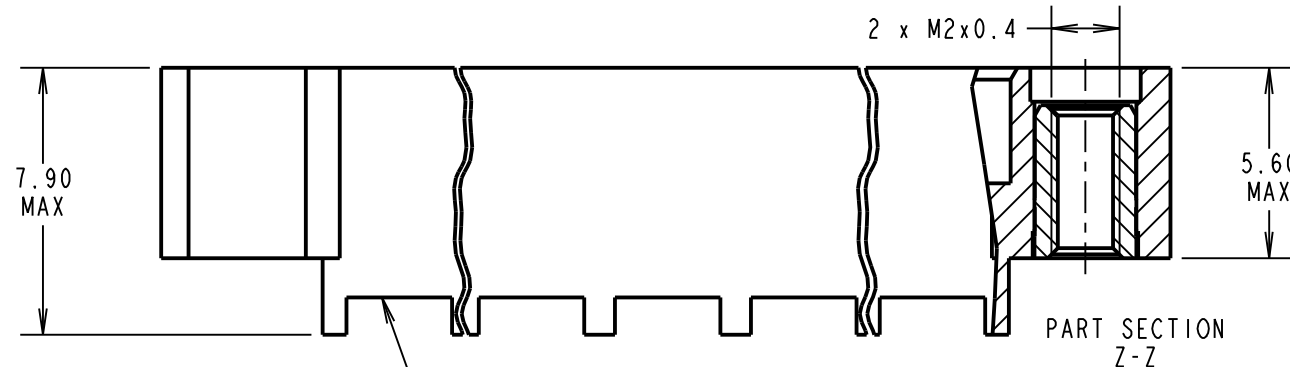
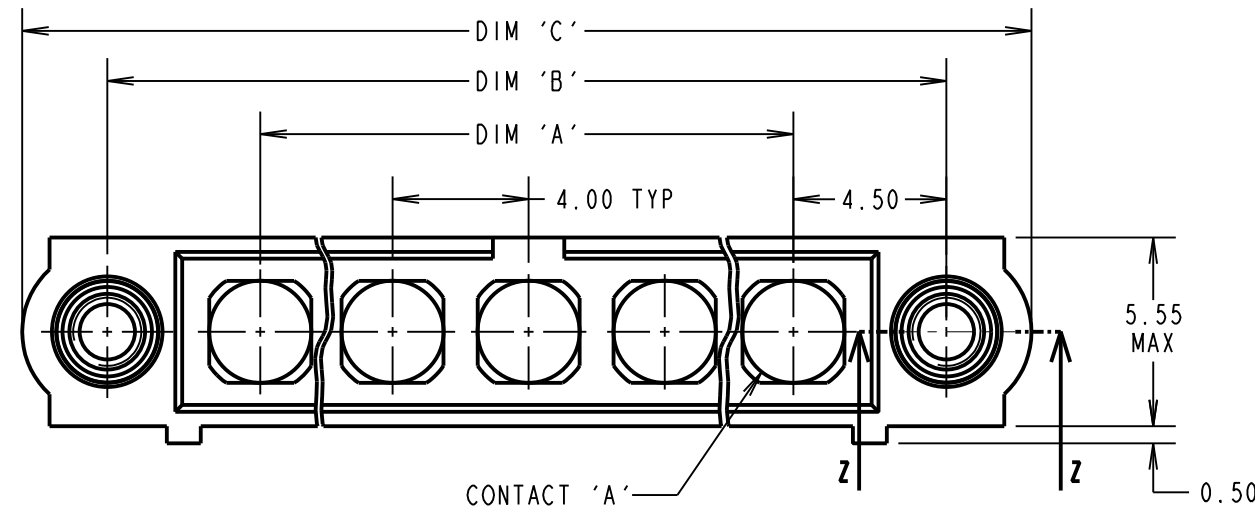
©

NOT TO SCALE

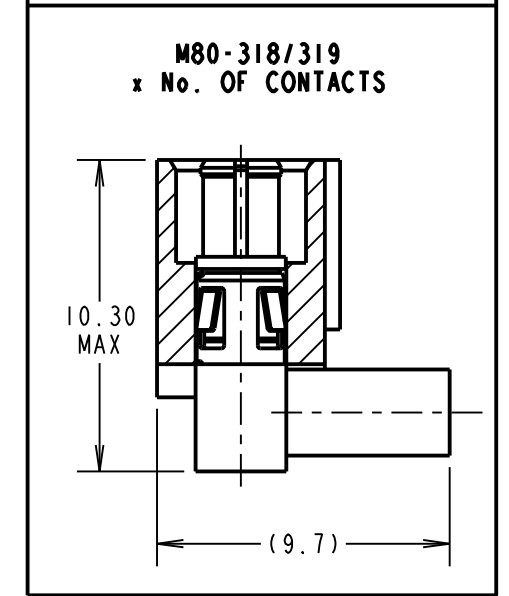
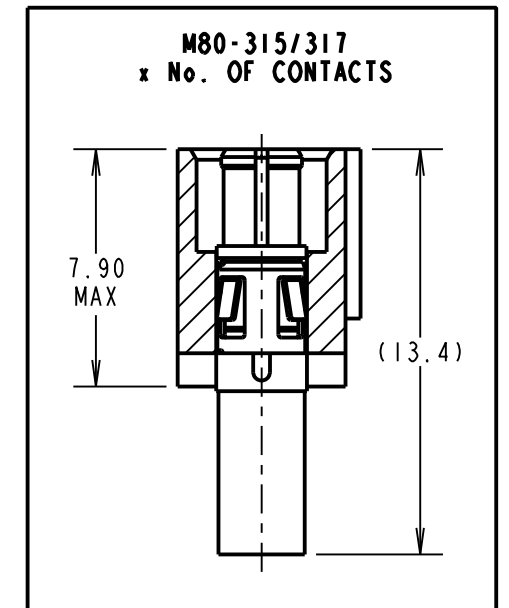
THIRD ANGLE PROJECTION

ALL DIMENSIONS IN mm

COAX CRIMP/SOLDER CONTACTS ONLY



SPECIAL CONTACTS HIDDEN FOR ILLUSTRATION ONLY
SEE ORDER CODE FOR PART No. TO BE ASSEMBLED.



SPECIFICATIONS:

MATERIAL:

MOULDING: GLASS FILLED PPS, UL94V-0, BLACK
COAX CONTACT:
BODY, SLEEVE, INNER CONTACT, END PLUG = COPPER ALLOY
LATCHING COLLAR = BERYLLIUM COPPER
INSULATOR = PTFE

JACKSCREW = STAINLESS STEEL

FINISH:

COAX CONTACT
BODY, SLEEVE, INNER CONTACT, END PLUG = GOLD
LATCHING COLLAR: = NICKEL

ELECTRICAL:

INSULATION RESISTANCE = 100MΩ MIN

COAX CONTACT:

FREQUENCY RANGE = 6GHz
IMPEDANCE = 50Ω
V.S.W.R = 1.05 + (0.04 x FREQUENCY) GHz MAX
CONTACT RESISTANCE 6mΩ MAX

INSULATION RESISTANCE = 10⁶MΩ @250V AC
OPERATING VOLTAGE = 180V AC @ 500mA
MAXIMUM VOLTAGE = 1000V AC

MECHANICAL:

DURABILITY = 500 OPERATIONS

COAX CONTACT:

INSERTION FORCE = 8N MAX
WITHDRAWAL FORCE = 0.5N MIN

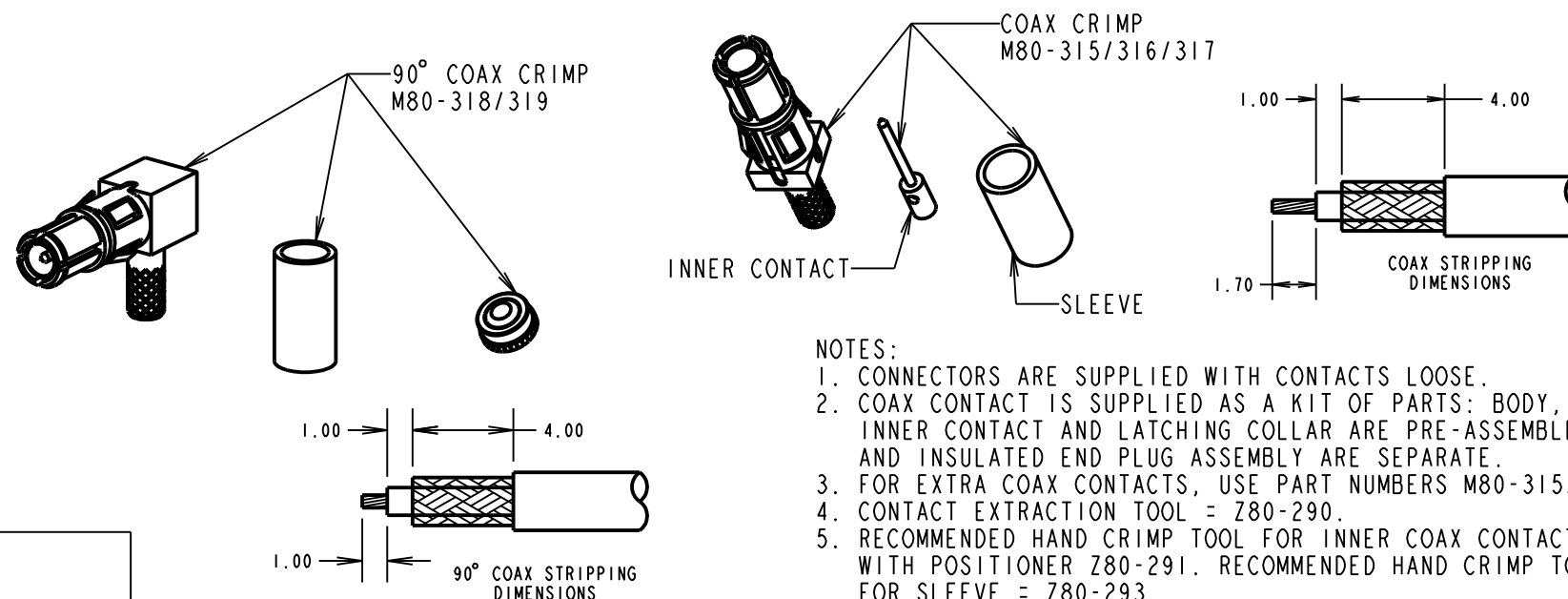
ENVIRONMENTAL:

TEMPERATURE RANGE = -55°C TO +125°C

PACKING:

BAG

FOR COMPLETE SPECIFICATION SEE COMPONENT
SPECIFICATION C005XX (LATEST ISSUE)



NOTES:

- CONNECTORS ARE SUPPLIED WITH CONTACTS LOOSE.
- COAX CONTACT IS SUPPLIED AS A KIT OF PARTS: BODY, MAIN INSULATOR, INNER CONTACT AND LATCHING COLLAR ARE PRE-ASSEMBLED AND SLEEVE AND INSULATED END PLUG ASSEMBLY ARE SEPARATE.
- FOR EXTRA COAX CONTACTS, USE PART NUMBERS M80-315/317/318/319.
- CONTACT EXTRACTION TOOL = Z80-290.
- RECOMMENDED HAND CRIMP TOOL FOR INNER COAX CONTACT = Z80-292 WITH POSITIONER Z80-291. RECOMMENDED HAND CRIMP TOOL AND DIE SET FOR SLEEVE = Z80-293.
- INSTRUCTION SHEETS ARE AVAILABLE.

ORDER CODE: (COAX CRIMP/SOLDER CONTACTS)
M80-5000000MI-XX-XXX-00-000

TOTAL No. OF CONTACTS
02 TO 12

SPECIAL CONTACTS (CRIMP)

315 = COAX CONTACT 2.0mm CRIMP M80-315
317 = COAX CONTACT 2.7mm CRIMP M80-317
318 = COAX CONTACT 2.0mm HORZ' CRIMP M80-318
319 = COAX CONTACT 2.7mm HORZ' CRIMP M80-319

| DIMENSION | CALCULATION |
|--|----------------------------|
| DIM 'A' | 4 x No. OF CONTACTS - 4.00 |
| DIM 'B' | 4 x No. OF CONTACTS + 5.00 |
| DIM 'C' | 4 x No. OF CONTACTS + 10.0 |
| EXAMPLE: CONNECTOR WITH 08 COAX CONTACTS, M80-5000000MI-08-315-00-000 DIM 'A' = 28.00mm, DIM 'B' = 37.00mm, DIM 'C' = 42.0mm | |

HARWIN

www.harwin.com
technical@harwin.com

THIS DRAWING AND ANY INFORMATION OR DESCRIPTIVE MATTER SET OUT HEREON ARE CONFIDENTIAL AND COPYRIGHT PROPERTY OF THE HARWIN GROUP AND MUST NOT BE DISCLOSED, LOANED, COPIED OR USED FOR MANUFACTURING, TENDERING OR FOR ANY OTHER PURPOSE WITHOUT THEIR WRITTEN PERMISSION.

TOLERANCES
X. = ±1mm
X.X = ±0.50mm
X.XX = ±0.10mm
X.XXX = ±0.01mm
ANGLES = ±5°
UNLESS STATED

MATERIAL: SEE ABOVE
FINISH: SEE ABOVE
S/AREA: mm²

TITLE: DATAMATE MIX-TEK MALE ASSEMBLY WITH JACKSCREW

DRAWING NUMBER: M80-5000000MI-XX-XXX-00-000

| | | | |
|----------------|------|----------|--------|
| MGP | 7 | 22.11.18 | 21265 |
| NAME | ISS. | DATE | C/NOTE |
| APPROVED: MGP | | | |
| CHECKED: SB | | | |
| DRAWN: R.ADDE | | | |
| CUSTOMER REF.: | | | |
| ASSEMBLY DRG: | | | |

SHT 5 OF 8

Customer Information Sheet

DRAWING No.: M80-500000MI-XX-XXX-00-000

IF IN DOUBT - ASK

©

NOT TO SCALE

THIRD ANGLE PROJECTION

ALL DIMENSIONS IN mm

SPECIFICATIONS:

MATERIAL:
 Moulding: GLASS FILLED PPS, UL94V-0, BLACK
 POWER CONTACT:
 BODY = COPPER ALLOY
 LATCHING COLLAR = BERYLLIUM COPPER
 JACKSCREW: STAINLESS STEEL

FINISH:
 POWER CONTACT:
 8 TO 20A = 0.25µm MIN GOLD OVER NICKEL
 40A = 0.76µm MIN GOLD OVER NICKEL
 LATCHING COLLAR: = NICKEL

ELECTRICAL:
 WORKING VOLTAGE = 800V AC/DC
 VOLTAGE PROOF = 1200V AC/DC
 INSULATION RESISTANCE = 100MΩ MIN

POWER CONTACT:
 CONTACT RESISTANCE = 6mΩ MAX
CURRENT RATING:
 M80-PM5 = 40A MAX WITH 10AWG,
 M80-335 = 20A MAX WITH 12AWG,
 M80-336 = 15A MAX WITH 14AWG,
 M80-337 = 10A MAX WITH 16AWG,
 M80-338 = 8A MAX WITH 18AWG,
 M80-339 = 5A MAX WITH 20AWG,
 CONTACT AS SPECIFIED.

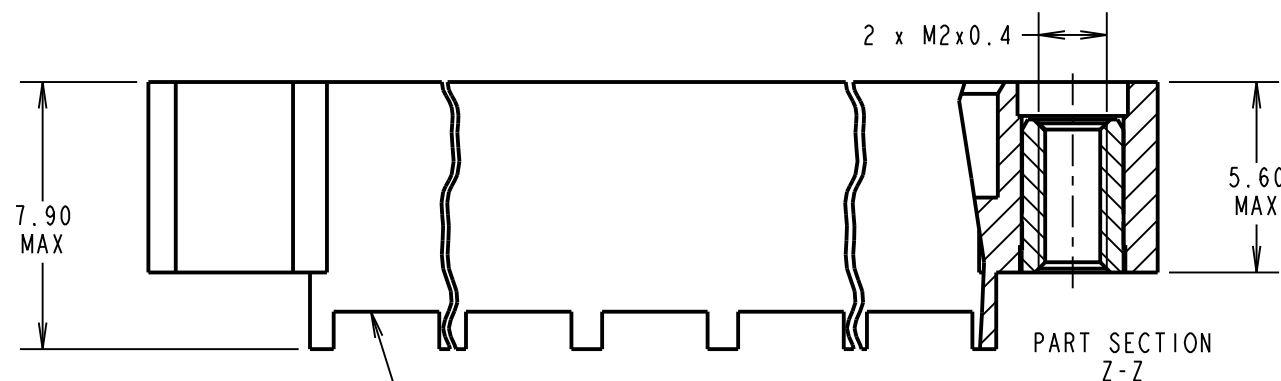
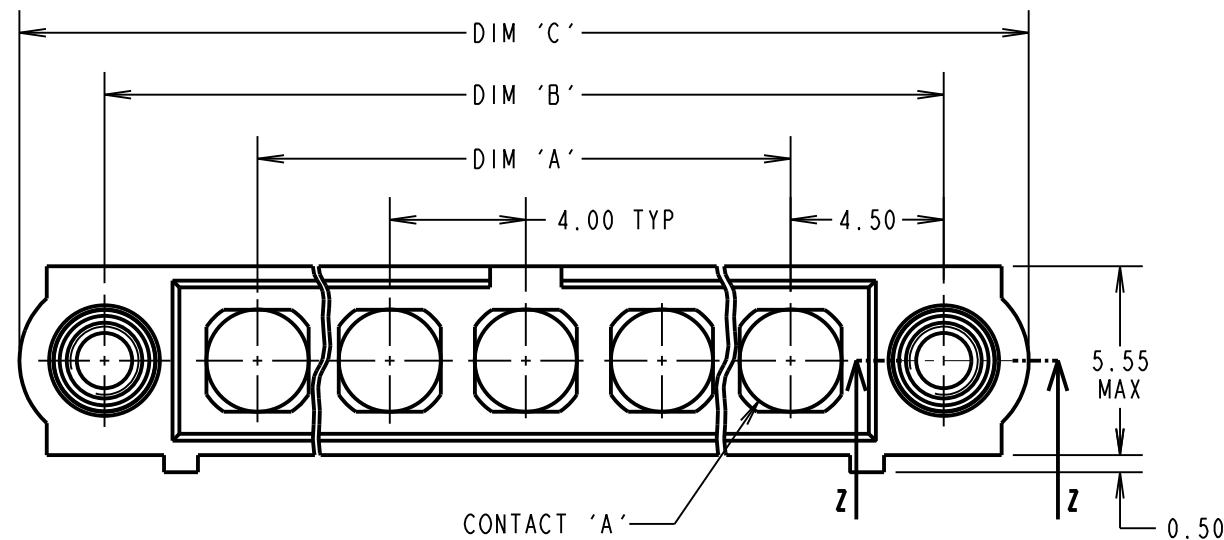
MECHANICAL:
 DURABILITY = 500 OPERATIONS

POWER CONTACT:
 INSERTION FORCE:
 8 TO 20A = 8N MAX
 40A = 15N MAX
 WITHDRAWAL FORCE = 0.5N MIN

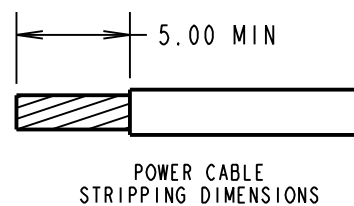
ENVIRONMENTAL:
 TEMPERATURE RANGE = -55°C TO +150°C

PACKING:
 BAG
 FOR COMPLETE SPECIFICATION SEE COMPONENT SPECIFICATION C005XX (LATEST ISSUE)

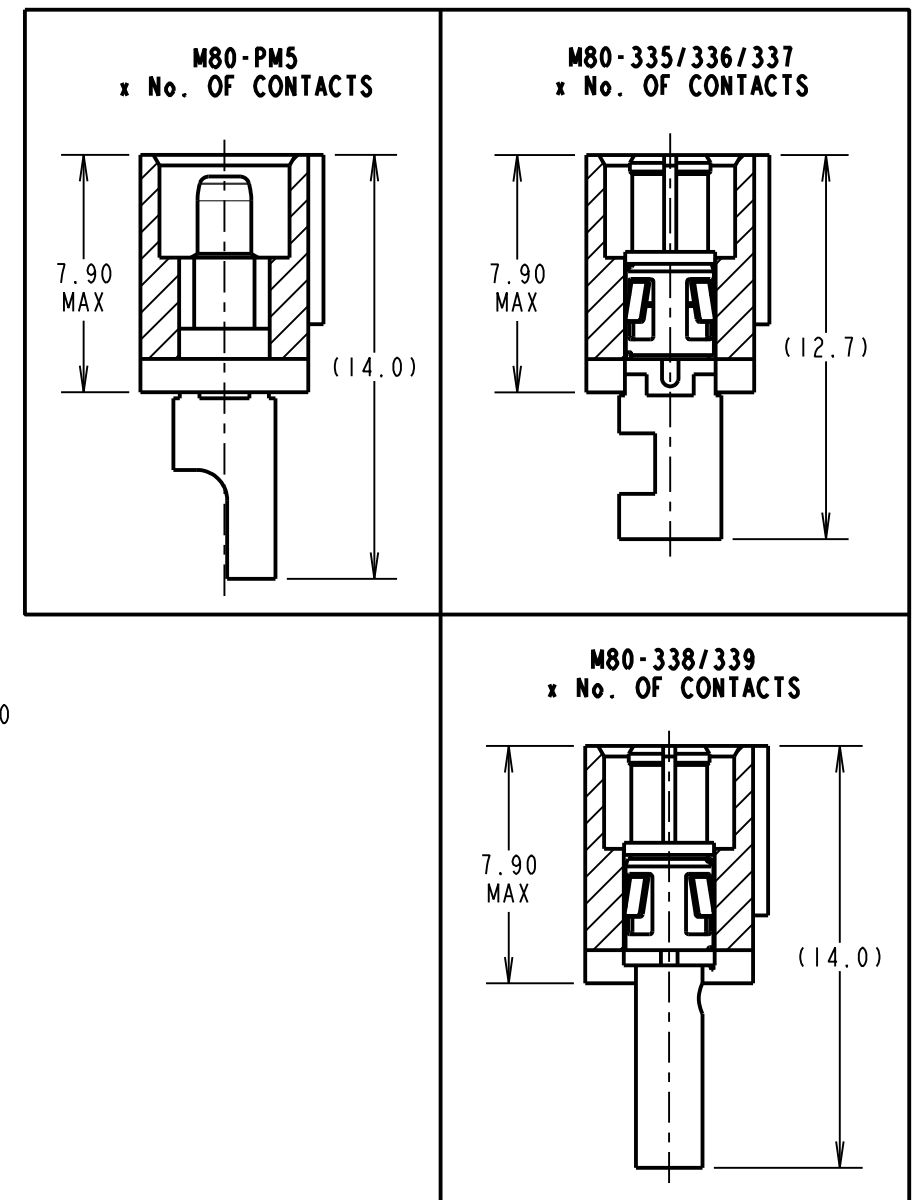
POWER CRIMP/SOLDER CONTACTS ONLY



SPECIAL CONTACTS HIDDEN FOR ILLUSTRATION ONLY
 SEE ORDER CODE FOR PART No. TO BE ASSEMBLED.



- NOTES:**
- CONNECTORS ARE SUPPLIED WITH CONTACTS LOOSE.
 - FOR EXTRA POWER CONTACTS USE PART NUMBERS: M80-PF5/335/336/337/338/339.
 - CONTACT EXTRACTION TOOL = Z80-290.
 - RECOMMENDED HAND CRIMP TOOL FOR CONTACTS 338/339 = Z80-294 AND POSITIONER Z80-295.
 - INSTRUCTION SHEETS ARE AVAILABLE.



ORDER CODE: (POWER CRIMP/SOLDER CONTACTS)
M80-500000MI-XX-XXX-00-000

TOTAL No. OF CONTACTS _____
 02 TO 12

SPECIAL CONTACTS (CRIMP)
 PM5 = POWER CONTACT 10AWG SOLDER M80-PM5
 335 = POWER CONTACT 12AWG SOLDER M80-335
 336 = POWER CONTACT 14AWG SOLDER M80-336
 337 = POWER CONTACT 16AWG SOLDER M80-337
 338 = POWER CONTACT 18AWG SOLDER/CRIMP M80-338
 339 = POWER CONTACT 20AWG SOLDER/CRIMP M80-339

| DIMENSION | CALCULATION |
|-----------|----------------------------|
| DIM 'A' | 4 x No. OF CONTACTS - 4.00 |
| DIM 'B' | 4 x No. OF CONTACTS + 5.00 |
| DIM 'C' | 4 x No. OF CONTACTS + 10.0 |

EXAMPLE: CONNECTOR WITH 10 POWER CONTACTS,
 M80-500000MI-10-335-00-000
 DIM 'A' = 36.00mm, DIM 'B' = 45.00mm, DIM 'C' = 50.0mm

| | | | |
|----------------|------|----------|--------|
| MGP | 7 | 22.11.18 | 21265 |
| NAME | ISS. | DATE | C/NOTE |
| APPROVED: MGP | | | |
| CHECKED: SB | | | |
| DRAWN: R.ADDE | | | |
| CUSTOMER REF.: | | | |
| ASSEMBLY DRG: | | | |

HARWIN
 www.harwin.com
 technical@harwin.com

THIS DRAWING AND ANY INFORMATION OR DESCRIPTIVE MATTER SET OUT HEREON ARE CONFIDENTIAL AND COPYRIGHT PROPERTY OF THE HARWIN GROUP AND MUST NOT BE DISCLOSED, LOANED, COPIED OR USED FOR MANUFACTURING, TENDERING OR FOR ANY OTHER PURPOSE WITHOUT THEIR WRITTEN PERMISSION.

TOLERANCES
 X. = ±1mm
 X.X = ±0.50mm
 X.XX = ±0.10mm
 X.XXX = ±0.01mm
 ANGLES = ±5°
 UNLESS STATED

MATERIAL:
 SEE ABOVE
FINISH:
 SEE ABOVE
S/AREA:
 mm²

TITLE:
 DATAMATE MIX-TEK
 MALE ASSEMBLY
 WITH JACKSCREW
DRAWING NUMBER:
 M80-500000MI-XX-XXX-00-000

SHT
 6 OF 8

Customer Information Sheet

DRAWING No.: M80-5000000MI-XX-XXX-00-000

IF IN DOUBT - ASK

©

NOT TO SCALE

THIRD ANGLE PROJECTION

ALL DIMENSIONS IN mm

SPECIFICATIONS:

MATERIAL:
 MOULDING: GLASS FILLED PPS, UL94V-0, BLACK

COAX CONTACT:
 BODY, INNER CONTACT, = COPPER ALLOY
 INSULATOR = PTFE

JACKSCREW: STAINLESS STEEL

FINISH:
 COAX CONTACT:
 BODY, INNER CONTACT, = GOLD

ELECTRICAL:
 INSULATION RESISTANCE = 100MΩ MIN

COAX CONTACT:
 FREQUENCY RANGE = 6GHz
 IMPEDANCE = 50Ω
 V.S.W.R = 1.05 + (0.04 x FREQUENCY) GHz MAX
 CONTACT RESISTANCE 6mΩ MAX

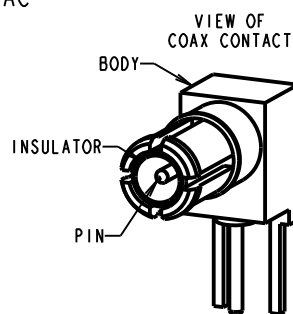
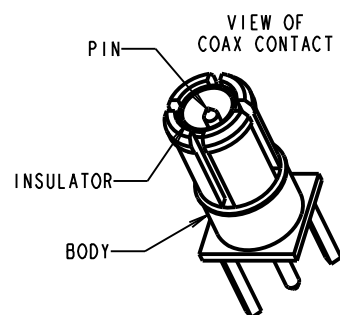
INSULATION RESISTANCE = 10⁶MΩ @250V AC
 OPERATING VOLTAGE = 180V AC @ 500mA
 MAXIMUM VOLTAGE = 1000V AC

MECHANICAL:
 DURABILITY = 500 OPERATIONS

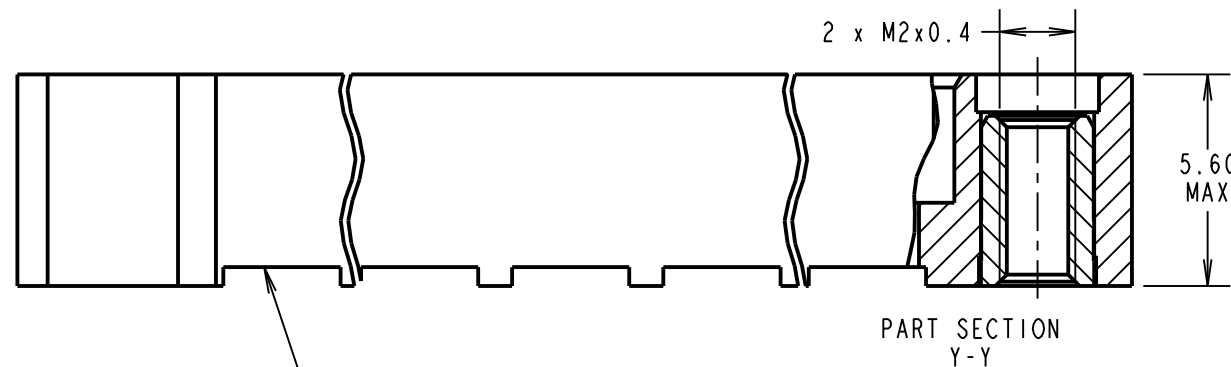
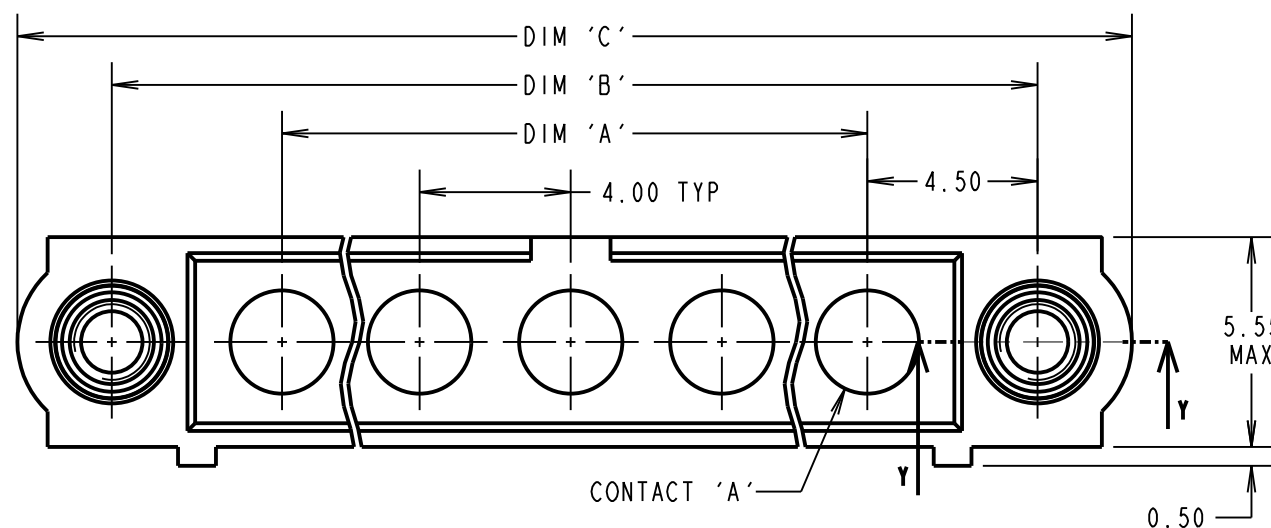
COAX CONTACT:
 INSERTION FORCE = 8N MAX
 WITHDRAWAL FORCE = 0.5N MIN

ENVIRONMENTAL:
 TEMPERATURE RANGE = -55°C TO +125°C

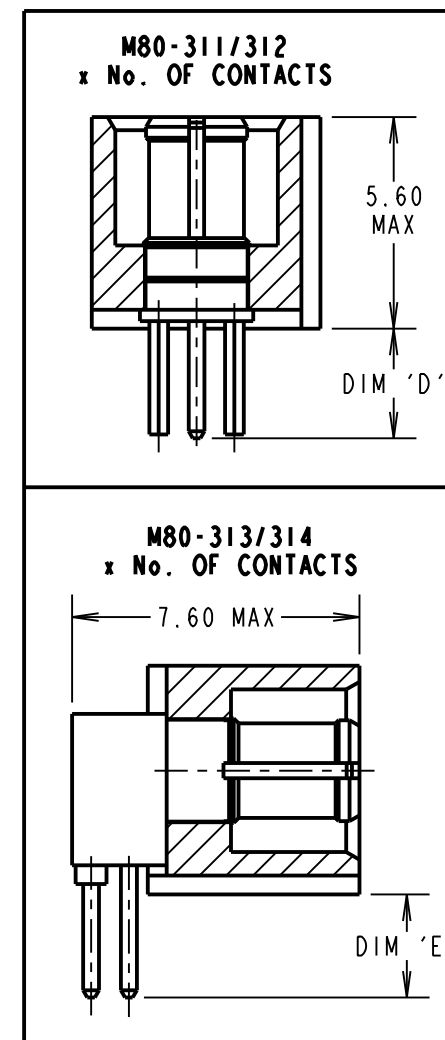
PACKING:
 TUBE
 FOR COMPLETE SPECIFICATION SEE COMPONENT SPECIFICATION C005XX (LATEST ISSUE)



COAX PC TAIL CONTACTS ONLY



SPECIAL CONTACTS HIDDEN FOR ILLUSTRATION ONLY
 SEE ORDER CODE FOR PART No. ASSEMBLED



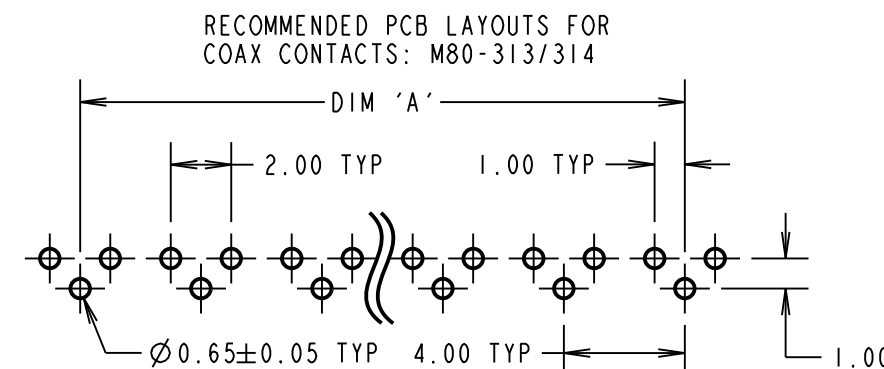
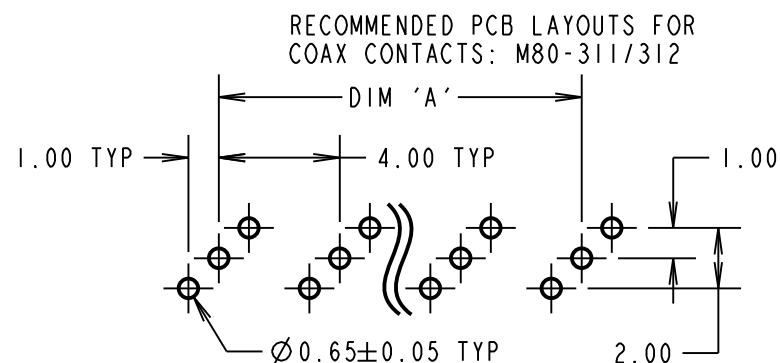
ORDER CODE:
 (COAX PC TAIL CONTACTS ONLY)
M80-5000000MI-XX-XXX-00-000

TOTAL No. OF CONTACTS _____
 02 TO 12

SPECIAL CONTACTS (PC TAIL)
 311 = COAX CONTACT 3.0mm PC TAIL M80-311
 312 = COAX CONTACT 4.5mm PC TAIL M80-312
 313 = COAX CONTACT 3.0mm HORZ' PC TAIL M80-313
 314 = COAX CONTACT 4.5mm HORZ' PC TAIL M80-314

| DIMENSION | CALCULATION |
|-----------|----------------------------------|
| DIM 'A' | 4 x No. OF CONTACTS - 4.00 |
| DIM 'B' | 4 x No. OF CONTACTS + 5.00 |
| DIM 'C' | 4 x No. OF CONTACTS + 10.0 |
| DIM 'D' | M80-311 = 3.0mm, M80-312 = 4.5mm |
| DIM 'E' | M80-313 = 3.0mm, M80-314 = 4.5mm |

EXAMPLE: CONNECTOR WITH 08 COAX CONTACTS,
 M80-5000000MI-08-313-00-000
 DIM 'A' = 28.00mm, DIM 'B' = 37.00mm, DIM 'C' = 42.0mm
 DIM 'E' = 3.0mm



HARWIN

www.harwin.com
 technical@harwin.com

THIS DRAWING AND ANY INFORMATION OR DESCRIPTIVE MATTER SET OUT HEREON ARE CONFIDENTIAL AND COPYRIGHT PROPERTY OF THE HARWIN GROUP AND MUST NOT BE DISCLOSED, LOANED, COPIED OR USED FOR MANUFACTURING, TENDERING OR FOR ANY OTHER PURPOSE WITHOUT THEIR WRITTEN PERMISSION.

TOLERANCES
 X. = ±1mm
 X.X = ±0.50mm
 X.XX = ±0.10mm
 X.XXX = ±0.01mm
 ANGLES = ±5°
 UNLESS STATED

MATERIAL:
 SEE ABOVE
FINISH: SEE ABOVE
S/AREA: mm²

TITLE: DATAMATE MIX-TEK MALE ASSEMBLY WITH JACKSCREW

DRAWING NUMBER: M80-5000000MI-XX-XXX-00-000

| | | | |
|----------------|------|----------|--------|
| MGP | 7 | 22.11.18 | 21265 |
| NAME | ISS. | DATE | C/NOTE |
| APPROVED: MGP | | | |
| CHECKED: SB | | | |
| DRAWN: R.ADDE | | | |
| CUSTOMER REF.: | | | |
| ASSEMBLY DRG: | | | |

SHT 7 OF 8

Customer Information Sheet

DRAWING No.: M80-5000000MI-XX-XXX-00-000

IF IN DOUBT - ASK

©

NOT TO SCALE

THIRD ANGLE PROJECTION

ALL DIMENSIONS IN mm

SPECIFICATIONS:

MATERIAL:
 MOULDING: GLASS FILLED PPS, UL94V-0, BLACK
 POWER CONTACT: COPPER ALLOY
 JACKSCREW: STAINLESS STEEL

FINISH:
 POWER CONTACT:
 20A = 0.25µm MIN GOLD OVER NICKEL
 40A = 0.76µm MIN GOLD OVER NICKEL

ELECTRICAL:
 WORKING VOLTAGE = 800V AC/DC
 VOLTAGE PROOF = 1200V AC/DC
 INSULATION RESISTANCE = 100MΩ MIN

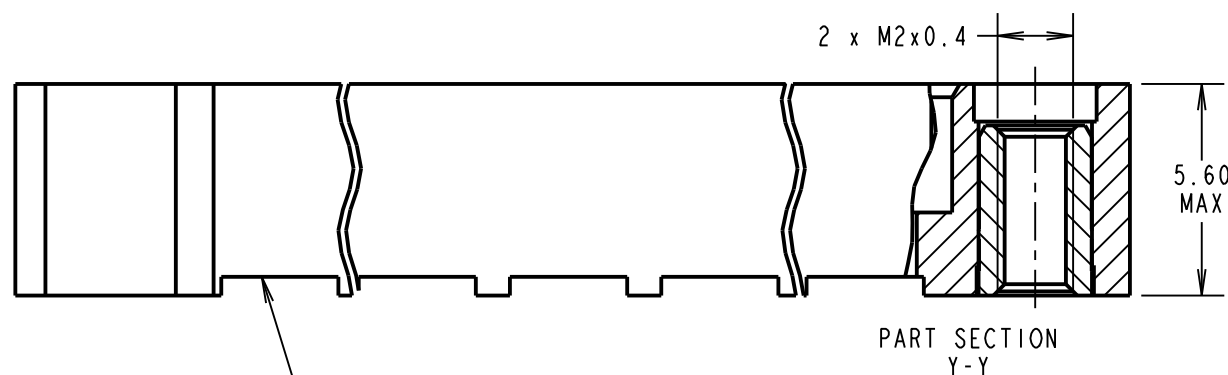
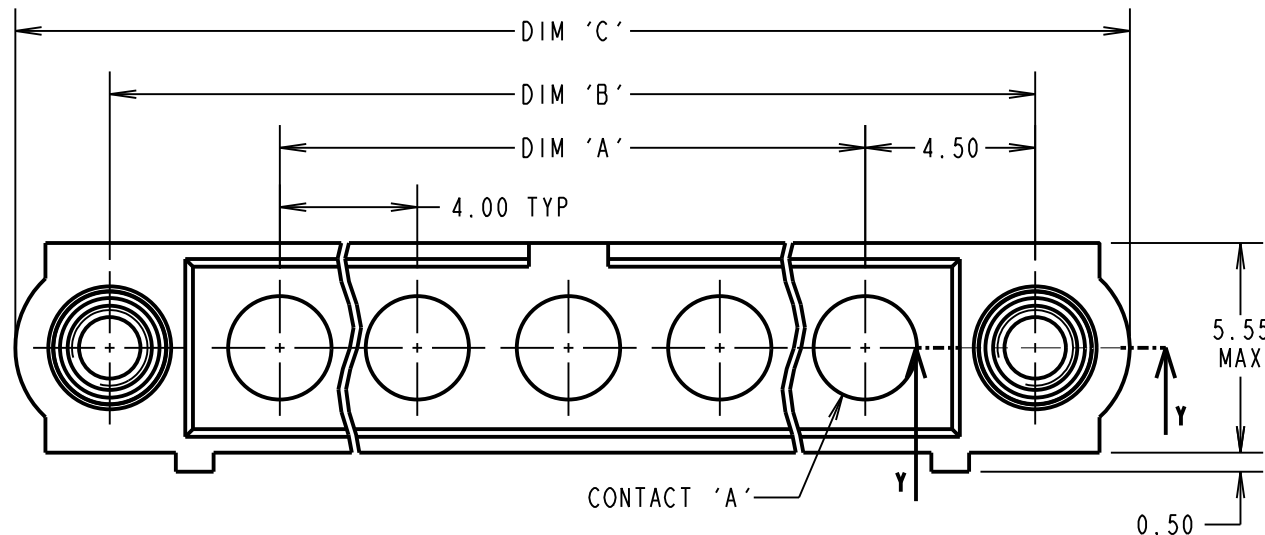
POWER CONTACT:
 CONTACT RESISTANCE 6mΩ MAX
CURRENT RATING:
 M80-331/332/333/334/33A = 20A MAX
 M80-PM1/PM2/PM3/PM4 = 40A MAX

MECHANICAL:
 DURABILITY = 500 OPERATIONS
POWER CONTACT:
 INSERTION FORCE:
 M80-331/332/323/324/33A = 8N MAX
 M80-PM1/PM2/PM3/PM4 = 15N MAX
 WITHDRAWAL FORCE = 0.5N MIN

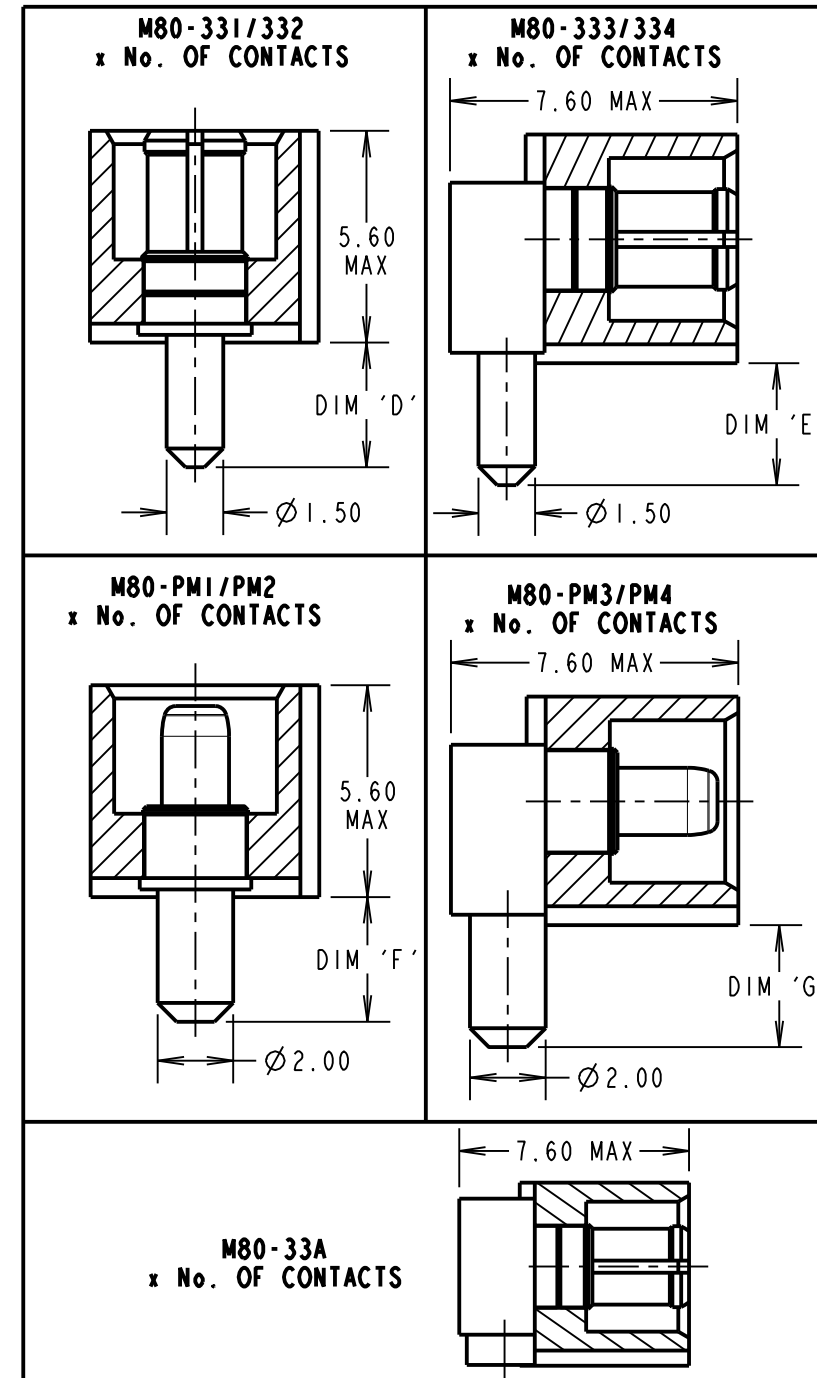
ENVIRONMENTAL:
 TEMPERATURE RANGE = -55°C TO +150°C
PACKING:
 TUBE

FOR COMPLETE SPECIFICATION SEE COMPONENT SPECIFICATION C005XX (LATEST ISSUE)

POWER PC TAIL AND SMT CONTACTS ONLY



SPECIAL CONTACTS HIDDEN FOR ILLUSTRATION ONLY
 SEE ORDER CODE FOR PART No. ASSEMBLED



ORDER CODE:
 (POWER PC TAIL AND SMT CONTACTS ONLY)
M80-5000000MI-XX-XXX-00-000

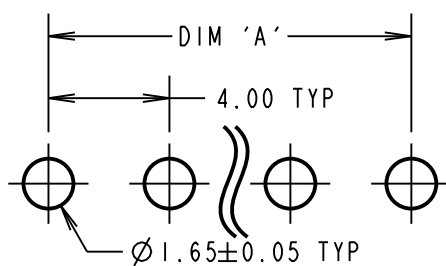
TOTAL No. OF CONTACTS
 02 TO 12

SPECIAL CONTACTS (PC TAIL)
 331 = 20A POWER CONTACT 3.0mm VERT' PC TAIL M80-331
 332 = 20A POWER CONTACT 4.5mm VERT' PC TAIL M80-332
 333 = 20A POWER CONTACT 3.0mm HORZ' PC TAIL M80-333
 334 = 20A POWER CONTACT 4.5mm HORZ' PC TAIL M80-334
 33A = 20A POWER CONTACT HORIZONTAL SMT M80-33A
 PM1 = 40A POWER CONTACT 3.0mm VERT' PC TAIL M80-PM1
 PM2 = 40A POWER CONTACT 4.5mm VERT' PC TAIL M80-PM2
 PM3 = 40A POWER CONTACT 3.0mm HORZ' PC TAIL M80-PM3
 PM4 = 40A POWER CONTACT 4.5mm HORZ' PC TAIL M80-PM4

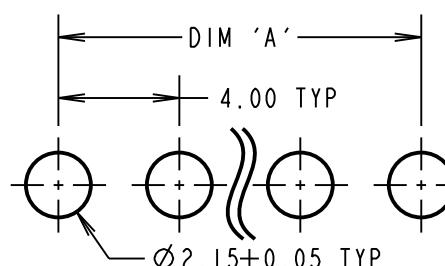
| DIMENSION | CALCULATION |
|-----------|----------------------------------|
| DIM 'A' | 4 x No. OF CONTACTS - 4.00 |
| DIM 'B' | 4 x No. OF CONTACTS + 5.00 |
| DIM 'C' | 4 x No. OF CONTACTS + 10.0 |
| DIM 'D' | M80-331 = 3.5mm, M80-332 = 5.0mm |
| DIM 'E' | M80-333 = 3.5mm, M80-334 = 5.0mm |
| DIM 'F' | M80-PM1 = 3.5mm, M80-PM2 = 5.0mm |
| DIM 'G' | M80-PM3 = 3.5mm, M80-PM4 = 5.0mm |

EXAMPLE: CONNECTOR WITH 10 POWER CONTACTS,
 M80-5000000MI-10-334-00-000
 DIM 'A' = 36.00mm, DIM 'B' = 45.00mm, DIM 'C' = 50.0mm
 DIM 'E' = 4.5mm

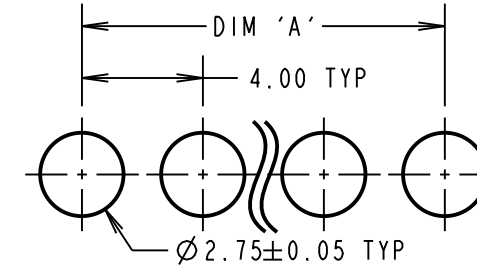
RECOMMENDED PCB LAYOUT FOR
 M80-331/332/333/334
 PC TAIL POWER CONTACTS



RECOMMENDED PCB LAYOUT FOR
 M80-PM1/PM2/PM3/PM4
 PC TAIL POWER CONTACTS



RECOMMENDED PCB LAYOUT FOR
 M80-33A SMT POWER CONTACTS



| | | | |
|----------------|------|----------|--------|
| MGP | 7 | 22.11.18 | 21265 |
| NAME | ISS. | DATE | C/NOTE |
| APPROVED: MGP | | | |
| CHECKED: SB | | | |
| DRAWN: R.ADDE | | | |
| CUSTOMER REF.: | | | |
| ASSEMBLY DRG: | | | |

HARWIN

www.harwin.com
 technical@harwin.com

THIS DRAWING AND ANY INFORMATION OR DESCRIPTIVE MATTER SET OUT HEREON ARE CONFIDENTIAL AND COPYRIGHT PROPERTY OF THE HARWIN GROUP AND MUST NOT BE DISCLOSED, LOANED, COPIED OR USED FOR MANUFACTURING, TENDERING OR FOR ANY OTHER PURPOSE WITHOUT THEIR WRITTEN PERMISSION.

TOLERANCES
 X. = ±1mm
 X.X = ±0.50mm
 X.XX = ±0.10mm
 X.XXX = ±0.01mm
 ANGLES = ±5°
 UNLESS STATED

MATERIAL:
 SEE ABOVE

FINISH:
 SEE ABOVE

S/AREA:
 mm²

TITLE:
 DATAMATE MIX-TEK
 MALE ASSEMBLY
 WITH JACKSCREW

DRAWING NUMBER:
M80-5000000MI-XX-XXX-00-000

SHT
 8 OF 8

X-ON Electronics

Largest Supplier of Electrical and Electronic Components

Click to view similar products for [Power to the Board](#) category:

Click to view products by [Harwin](#) manufacturer:

Other Similar products are found below :

[6450552-7](#) [6643429-1](#) [6646040-2](#) [6766604-1](#) [120959-1](#) [1393557-2](#) [1393532-2](#) [1393532-3](#) [1393532-4](#) [1393557-1](#) [1744132-7](#) [1766250-1](#)
[1892109-1](#) [1-6450850-6](#) [1-6450869-6](#) [1645526-2](#) [2005243-2](#) [377-0020-11130](#) [MC116N](#) [TE34-12-16P-F0](#) [51700-10201602AALF](#) [51970-004](#) [5-6450830-6](#) [4-6600333-3](#) [10125416-4050LF](#) [10130248-005LF](#) [6600320-3](#) [IPBT-103-H1-T-S-RA](#) [1888123-2](#) [6766605-1](#) [701-15-02109](#)
[6450810-7](#) [46437-1112](#) [6450813-2](#) [6450842-4](#) [10108877-R24403SLF](#) [1645523-1](#) [PSS-06-01-T-S](#) [FWS-03-04-T-S](#) [51760-10301603ABLF](#)
[MDF6-TA2022HC](#) [FWS-05-01-T-S](#) [51720-10206002AALF](#) [QE-POL-KEY](#) [FWS-08-01-T-S](#) [698-0075-04](#) [6651670-1](#) [MC120N](#) [2-1600788-6](#)
[1761385-3](#)