

# Customer Information Sheet

DRAWING No.: M80-5S2XXXXMQ

IF IN DOUBT - ASK

©

NOT TO SCALE

THIRD ANGLE PROJECTION

ALL DIMENSIONS IN mm

**SPECIFICATIONS:**

**MATERIAL:**  
 MOULDING = GLASS-FILLED PPS,  
 UL94V-0, BLACK  
 CONTACTS, STRAIN RELIEF STRAPS = BRASS  
 JACKSCREW = STAINLESS STEEL

**FINISH:**  
**CONTACTS:**  
 05 = 0.75µ 100% GOLD  
 22 = 0.75µ GOLD ON CONTACT AREA,  
 3µm 90/10 TIN/LEAD ON TAILS  
 42 = 0.75µ GOLD ON CONTACTS AREA,  
 3µm 100% TIN OVER NICKEL ON TAILS

**STRAIN RELIEF STRAPS:**  
 2.5µ MIN 100% TIN OVER 1.6µ MIN NICKEL

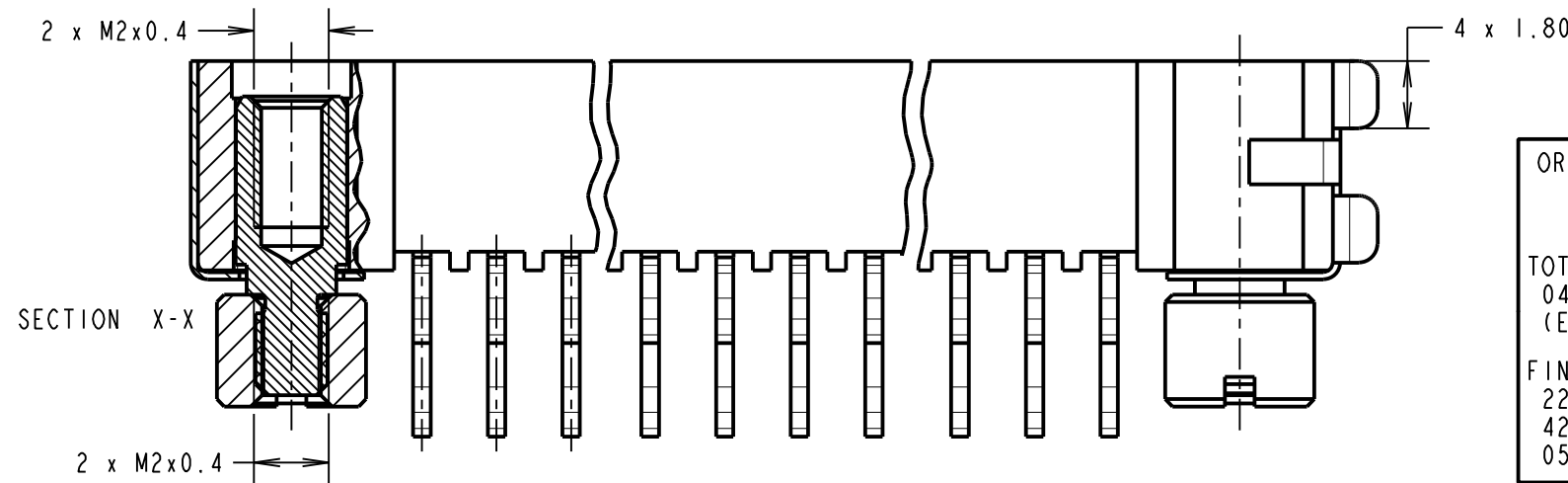
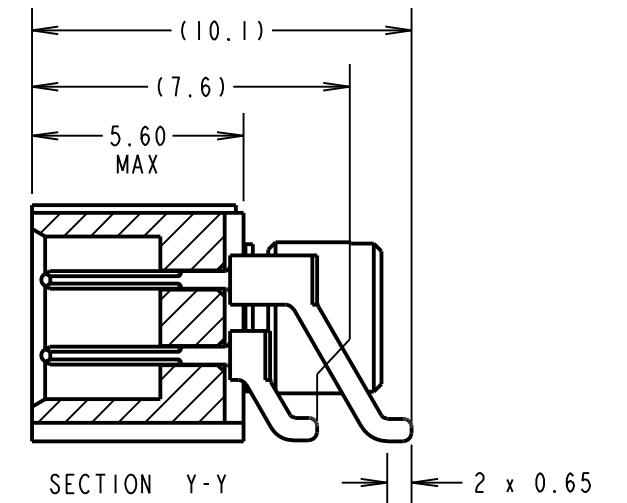
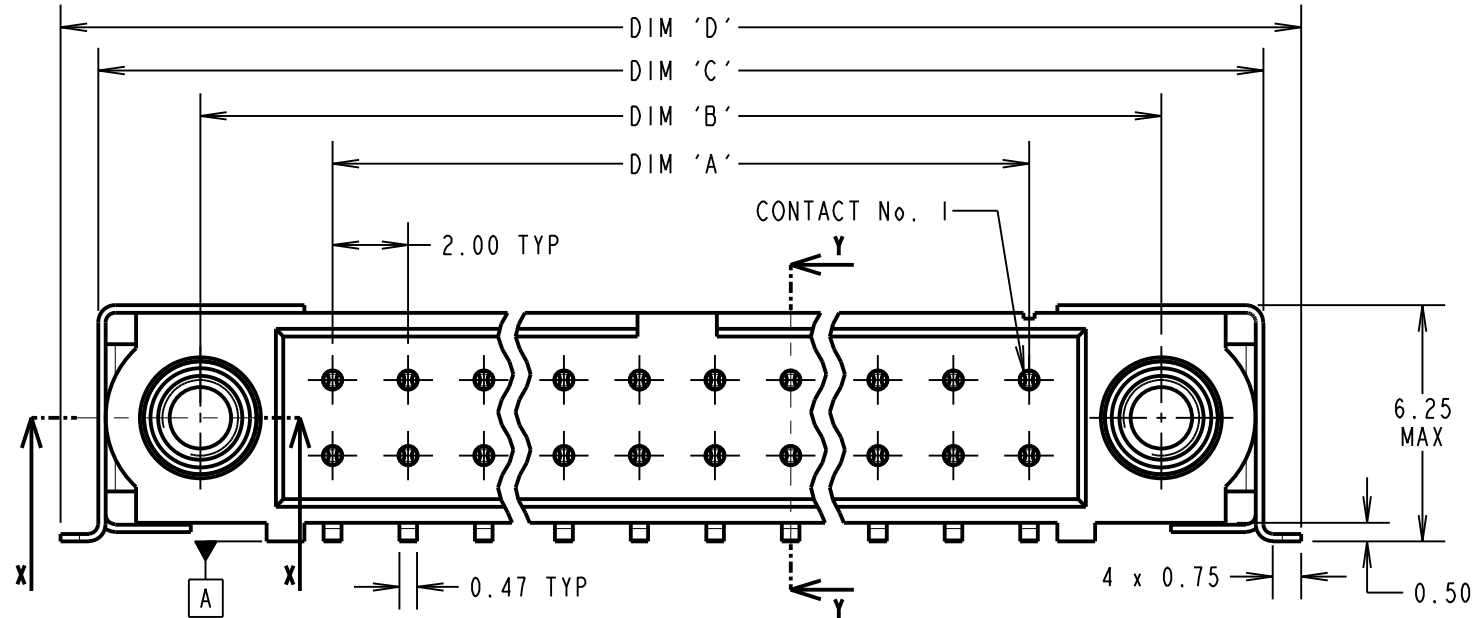
**ELECTRICAL:**  
 CURRENT RATING AT 25°C = 3.0A MAX  
 CURRENT RATING AT 85°C = 2.2A MAX  
 WORKING VOLTAGE = 800V AC/DC  
 VOLTAGE PROOF = 1200V AC/DC  
 CONTACT RESISTANCE = 25mΩ MAX  
 INSULATION RESISTANCE = 100MΩ MIN

**MECHANICAL:**  
 DURABILITY = 500 OPERATIONS

**ENVIRONMENTAL:**  
 TEMPERATURE RANGE = -55°C TO +125°C

**PACKING:**  
 TUBE

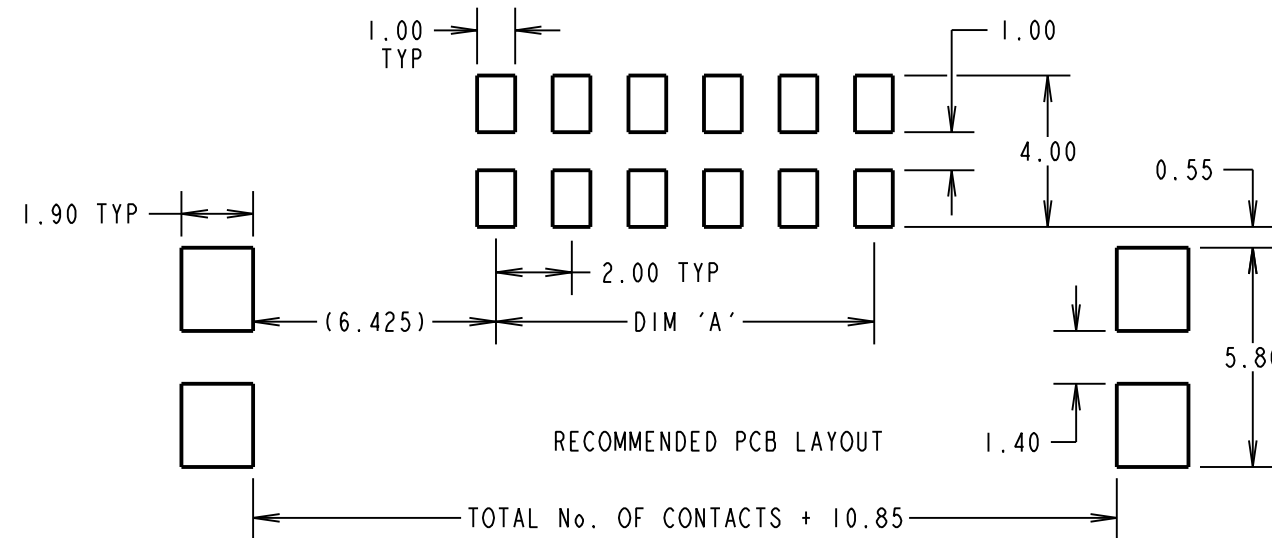
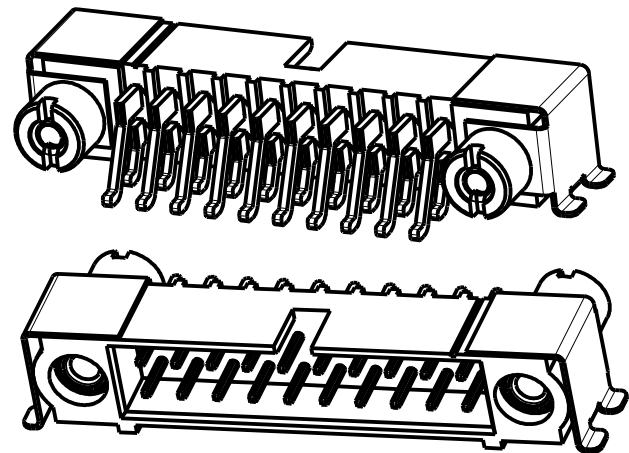
FOR COMPLETE SPECIFICATION, SEE COMPONENT SPECIFICATION C005XX (LATEST ISSUE)



ORDER CODE: **M80-5S2XXXXMQ**

TOTAL No. OF CONTACTS \_\_\_\_\_  
 04 TO 50  
 (EVEN NUMBERS ONLY)

FINISH CODE \_\_\_\_\_  
 22 - GOLD CONTACT AREA, TIN/LEAD TAIL  
 42 - GOLD CONTACT AREA, 100% TIN OVER NICKEL TAIL  
 05 - ALL OVER GOLD



DIMENSION	CALCULATION
DIM 'A'	TOTAL No. OF CONTACTS - 2.00
DIM 'B'	TOTAL No. OF CONTACTS + 5.00
DIM 'C'	TOTAL No. OF CONTACTS + 12.00 MAX
DIM 'D'	TOTAL No. OF CONTACTS + 14.00 MAX

EXAMPLE: CONNECTOR WITH 20 CONTACTS, GOLD ON CONTACT AREA AND 100% TIN OVER NICKEL ON TAIL  
 M80-5S22042MQ

DIM 'A' = 18.00mm, DIM 'B' = 25.00mm,  
 DIM 'C' = 32.00mm MAX, DIM 'D' = 34.00mm MAX

MSP	6	12.12.14	12724
NAME	ISS.	DATE	C/NOTE
APPROVED:			
CHECKED:			
DRAWN: S. MCCULLAGH			
CUSTOMER REF.:			
ASSEMBLY DRG:			

**HARWIN**  
 www.harwin.com  
 technical@harwin.com

THIS DRAWING AND ANY INFORMATION OR DESCRIPTIVE MATTER SET OUT HEREON ARE CONFIDENTIAL AND COPYRIGHT PROPERTY OF THE HARWIN GROUP AND MUST NOT BE DISCLOSED, LOANED, COPIED OR USED FOR MANUFACTURING, TENDERING OR FOR ANY OTHER PURPOSE WITHOUT THEIR WRITTEN PERMISSION.

**TOLERANCES**  
 X. = ±1mm  
 X.X = ±0.50mm  
 X.XX = ±0.10mm  
 X.XXX = ±0.01mm  
 ANGLES = ±5°  
 UNLESS STATED

**MATERIAL:**  
 SEE ABOVE

**FINISH:**  
 SEE ABOVE

**S/AREA:**  
 mm<sup>2</sup>

**TITLE:** JACKSCREW DATAMATE DIL HORIZONTAL SMT MALE ASSY WITH SMT STRAIN RELIEF STRAPS

**DRAWING NUMBER:**  
**M80-5S2XXXXMQ**

SHT 2 OF 2

## X-ON Electronics

Largest Supplier of Electrical and Electronic Components

*Click to view similar products for [Headers & Wire Housings](#) category:*

*Click to view products by [Harwin](#) manufacturer:*

Other Similar products are found below :

[892-18-020-10-001101](#) [58102-G61-06LF](#) [582553-1](#) [0009485154](#) [009176003701906](#) [0050291907](#) [LY20-4P-DT1-P1E-BR](#) [02.125.8002.8](#)  
[609-3404](#) [61062-3](#) [622-0430](#) [622-3653LF](#) [63453-116](#) [636-1030](#) [636-1427](#) [636-3427](#) [636-4007](#) [641938-9](#) [641991-4](#) [644827-2](#) [65817-010LF](#)  
[65817-015LF](#) [65863-015LF](#) [66207-023LF](#) [67095-007LF](#) [67601157](#) [68648-049](#) [70.362.1628.0](#) [70-4210](#) [70-4226B](#) [70-4853B](#) [707-5020](#) [707-](#)  
[5028](#) [71.350.2428.0](#) [71918-208LF](#) [71961-016LF](#) [733-134](#) [733-162](#) [754199-000](#) [760-3052](#) [787-8014-00](#) [79531-3000](#) [FCN-360C032-B](#) [FCN-](#)  
[367T-T012/H](#) [FCN-723D010/2](#) [80.063.4001.1](#) [800-90-001-10-001000](#) [800-90-010-10-002000](#) [801-43-002-10-013000](#) [801-43-006-10-002000](#)