

# Customer Information Sheet

DRAWING No.: M80-615XXXX

SHEET 2 OF 2

IF IN DOUBT - ASK

(C)

NOT TO SCALE

THIRD ANGLE PROJECTION

ALL DIMENSIONS IN mm

## SPECIFICATION

### MATERIALS:

MOULDING = HIGH-TEMP. POLYAMIDE 46 UL94V-0

CLIP = BERYLLIUM COPPER

BODY = BRASS

### FINISH:

01 = 3.5 $\mu$  90/10 TIN LEAD BODY, 0.3 $\mu$  GOLD CLIP

42 = 3.5/5.0 $\mu$  100% TIN BODY, 0.3 $\mu$  GOLD CLIP

45 = 0.25/0.3 $\mu$  GOLD BODY, 0.3 $\mu$  GOLD CLIP

### ELECTRICAL:

CURRENT RATING AT 25°C = 3.0A MAX

CURRENT RATING AT 85°C = 2.2A MAX

WORKING VOLTAGE = 120V AC/DC

VOLTAGE PROOF = 360V AC/DC

### CONTACT RESISTANCE:

INITIAL = 20m $\Omega$  MAX

AFTER CONDITIONING = 25m $\Omega$  MAX

### INSULATION RESISTANCE:

INITIAL = 1000M $\Omega$  MIN

AFTER CONDITIONING = 100M $\Omega$  MIN

### MECHANICAL:

DURABILITY = 500 OPERATIONS

INSERTION FORCE = 2.8N MAX, 1.0N MIN

WITHDRAWAL FORCE = 1.8N MAX, 0.2N MIN

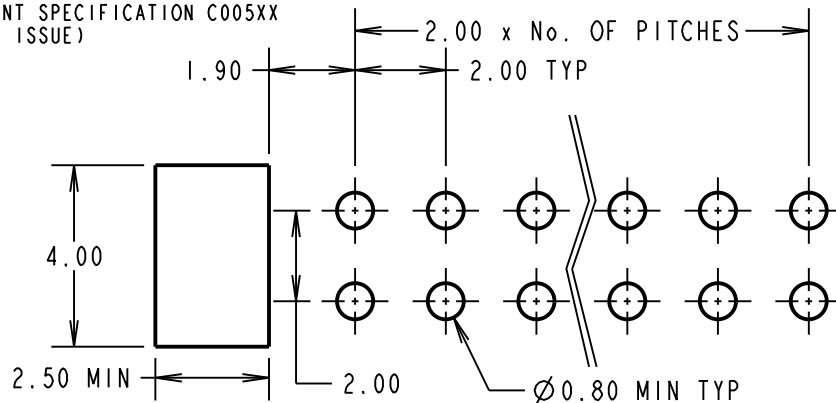
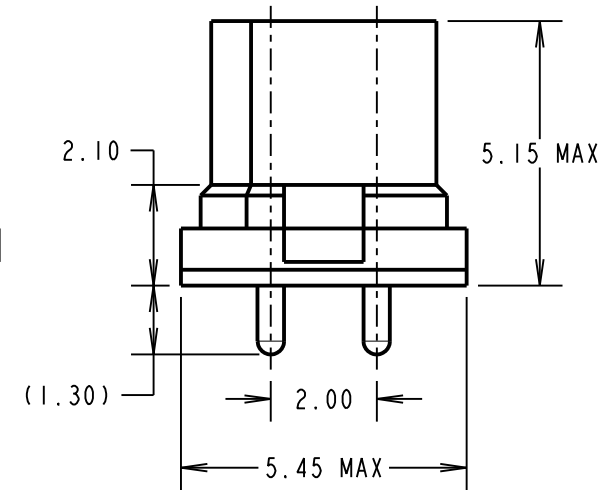
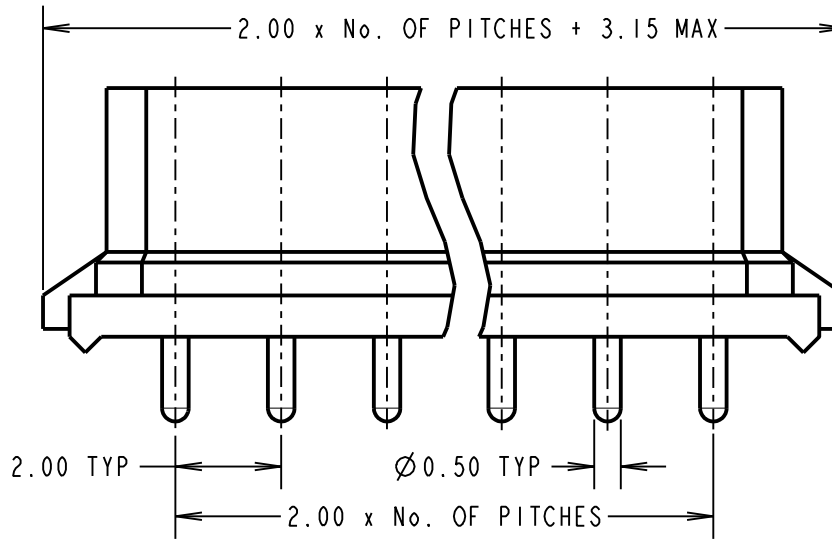
### ENVIRONMENTAL:

TEMPERATURE RANGE = -55°C TO +125°C

### PACKING:

TUBE

FOR COMPLETE SPECIFICATION SEE  
COMPONENT SPECIFICATION C005XX  
(LATEST ISSUE)



(OPTIONAL) HOLES REQUIRED FOR  
USE WITH LATCHED MALE CONNECTORS

ORDER CODE:

**M80-615XXXX**

No. OF CONTACTS \_\_\_\_\_  
04-20 (EVEN No.s)  
26, 34 & 44

FINISH \_\_\_\_\_

01 = GOLD CLIP, TIN/LEAD SHELL  
42 = 100% TIN SHELL, GOLD CLIP  
45 = GOLD SHELL, GOLD CLIP

SB	6	28.06.11	11350
NAME	ISS.	DATE	C/NOTE
APPROVED: S.BENNETT			
CHECKED: S.FLOWER			
DRAWN: I. SANDY			
CUSTOMER REF.:			
ASSEMBLY DRG:			

# HARWIN

THIS DRAWING AND ANY  
INFORMATION OR DESCRIPTIVE  
MATTER SET OUT HEREON ARE  
CONFIDENTIAL AND COPYRIGHT  
PROPERTY OF THE HARWIN  
GROUP AND MUST NOT BE  
DISCLOSED, LOANED, COPIED  
OR USED FOR MANUFACTURING,  
TENDERING OR FOR ANY  
OTHER PURPOSE WITHOUT  
THEIR WRITTEN PERMISSION.

### TOLERANCES

X. =  $\pm 1$ mm  
X.X =  $\pm 0.25$ mm  
X.XX =  $\pm 0.10$ mm  
X.XXX =  $\pm 0.01$ mm  
ANGLES =  $\pm 5^\circ$   
UNLESS STATED

### MATERIAL:

SEE ABOVE

FINISH: SEE TABLE

S/AREA: mm<sup>2</sup>

### TITLE:

DATAMATE DIL  
FEMALE PC TAIL ASSEMBLY

DRAWING NUMBER:

**M80-615XXXX**

SHT  
2 OF  
2

HARWIN USA  
TEL: 603 893 5376  
FAX: 603 893 5396  
mis@harwin.com

HARWIN Europe (UK)  
TEL: 023 9231 4545  
FAX: 023 9231 4590  
mis@harwin.co.uk

HARWIN Asia  
TEL: +65 6 779 4909  
FAX: +65 6 779 3868  
mis@harwin.com.sg

## X-ON Electronics

Largest Supplier of Electrical and Electronic Components

*Click to view similar products for [Headers & Wire Housings](#) category:*

*Click to view products by [Harwin](#) manufacturer:*

Other Similar products are found below :

[892-18-020-10-001101](#) [58102-G61-06LF](#) [582553-1](#) [0009485154](#) [009176003701906](#) [0050291907](#) [LY20-4P-DT1-P1E-BR](#) [02.125.8002.8](#)  
[609-3404](#) [61062-3](#) [622-0430](#) [622-3653LF](#) [63453-116](#) [636-1030](#) [636-1427](#) [636-3427](#) [636-4007](#) [641938-9](#) [641991-4](#) [644827-2](#) [65817-010LF](#)  
[65817-015LF](#) [65863-015LF](#) [66207-023LF](#) [67095-007LF](#) [67601157](#) [68648-049](#) [70.362.1628.0](#) [70-4210](#) [70-4226B](#) [70-4853B](#) [707-5020](#) [707-](#)  
[5028](#) [71.350.2428.0](#) [71918-208LF](#) [71961-016LF](#) [733-134](#) [733-162](#) [754199-000](#) [760-3052](#) [787-8014-00](#) [79531-3000](#) [FCN-360C032-B](#) [FCN-](#)  
[367T-T012/H](#) [FCN-723D010/2](#) [80.063.4001.1](#) [800-90-001-10-001000](#) [800-90-010-10-002000](#) [801-43-002-10-013000](#) [801-43-006-10-002000](#)