

# Customer Information Sheet

DRAWING No.: M80-681XXXXP

SHEET 2 OF 2

IF IN DOUBT - ASK

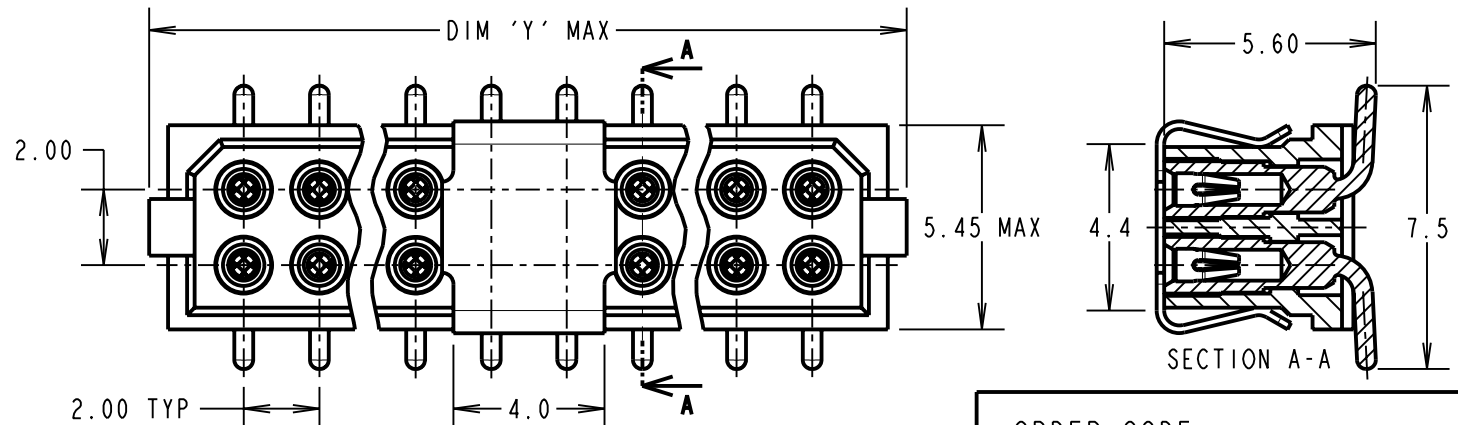
(C)

NOT TO SCALE

THIRD ANGLE PROJECTION

ALL DIMENSIONS IN mm

ASSEMBLY PART No.	No. OF CONTACTS	DIM 'X'	DIM 'Y'
M80-68104XXP	4	2.00	7.15
M80-68106XXP	6	4.00	9.15
M80-68108XXP	8	6.00	11.15
M80-68110XXP	10	8.00	13.15
M80-68112XXP	12	10.00	15.15
M80-68114XXP	14	12.00	17.15
M80-68116XXP	16	14.00	19.15
M80-68118XXP	18	16.00	21.15
M80-68120XXP	20	18.00	23.15
M80-68126XXP	26	24.00	29.15
M80-68134XXP	34	32.00	37.15
M80-68144XXP	44	42.00	47.15



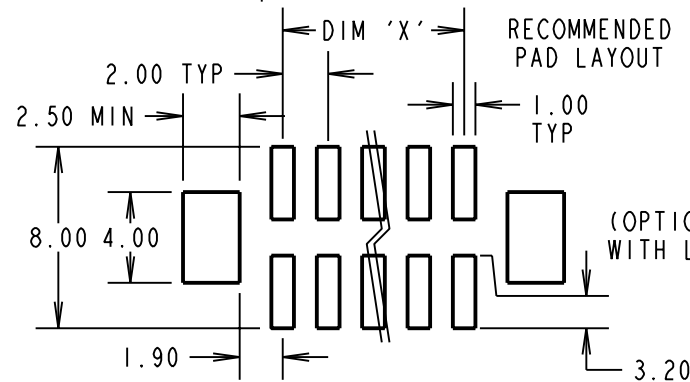
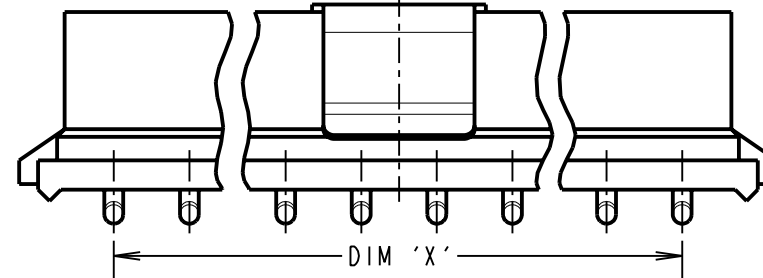
ORDER CODE:  
**M80-681XXXXP**

TOTAL No. OF CONTACTS  
 04, 06, 08, 10, 12, 14,  
 16, 18, 20, 26, 34, 44

FINISH  
 01 - GOLD CLIP, TIN/LEAD SHELL  
 42 - GOLD CLIP, 100% TIN SHELL  
 45 - GOLD CLIP, GOLD SHELL

**SPECIFICATIONS:**

- MATERIAL:**  
 MOULDING = GLASS-FILLED POLYAMIDE 46,  
 UL94V-0, BLACK  
 CONTACT CLIP = BERYLLIUM COPPER  
 CONTACT SHELL = BRASS  
 PICK & PLACE CAP = PHOSPHOR BRONZE
- FINISH:**  
 01 = 0.3µ GOLD CLIP, 4µ TIN/LEAD SHELL  
 42 = 0.3µ GOLD CLIP, 4µ 100% TIN SHELL  
 45 = 0.3µ GOLD CLIP, 0.3µ GOLD SHELL
- ELECTRICAL:**  
 CURRENT RATING AT 25°C = 3.0A MAX  
 CURRENT RATING AT 85°C = 2.2A MAX  
 WORKING VOLTAGE = 120V AC/DC  
 VOLTAGE PROOF = 360V AC/DC  
 CONTACT RESISTANCE = 25 mΩ MAX  
 INSULATION RESISTANCE = 100 MΩ MIN
- MECHANICAL:**  
 DURABILITY = 500 OPERATIONS  
 INSERTION FORCE = 2.8N MAX, 1.0N MIN  
 WITHDRAWAL FORCE = 1.8N MAX, 0.2N MIN
- ENVIRONMENTAL:**  
 TEMPERATURE RANGE = -55°C TO +125°C  
 PACKING: TUBE



NOTES:  
 1. FOR CONNECTOR WITHOUT PICK AND PLACE PAD, SEE DRAWING M80-681XXXX.

(OPTIONAL) HOLES REQUIRED FOR USE WITH LATCHED MALE CONNECTORS

RA	2	01.10.09	10502
NAME	ISS.	DATE	C/NOTE
APPROVED:		R. ADDE	
CHECKED:		M.G. PLESTED	
DRAWN:		W. J. BOURNE	
CUSTOMER REF.:			
ASSEMBLY DRG:			

**HARWIN**

HARWIN USA  
 TEL: 603 893 5376  
 FAX: 603 893 5396  
 mis@harwin.com

HARWIN Europe (UK)  
 TEL: 023 9231 4545  
 FAX: 023 9231 4590  
 mis@harwin.co.uk

HARWIN Asia  
 TEL: +65 6 779 4909  
 FAX: +65 6 779 3868  
 mis@harwin.com.sg

THIS DRAWING AND ANY INFORMATION OR DESCRIPTIVE MATTER SET OUT HEREON ARE CONFIDENTIAL AND COPYRIGHT PROPERTY OF THE HARWIN GROUP AND MUST NOT BE DISCLOSED, LOANED, COPIED OR USED FOR MANUFACTURING, TENDERING OR FOR ANY OTHER PURPOSE WITHOUT THEIR WRITTEN PERMISSION.

**TOLERANCES**  
 X. = ±1mm  
 X.X = ±0.25mm  
 X.XX = ±0.10mm  
 X.XXX = ±0.01mm  
 ANGLES = ±5°  
 UNLESS STATED

**MATERIAL:**  
 SEE ABOVE

**FINISH:**  
 SEE ABOVE

**S/AREA:**  
 mm<sup>2</sup>

**TITLE:** DATAMATE DIL VERTICAL SMT SOCKET ASSEMBLY (WITH PICK & PLACE CAP)

**DRAWING NUMBER:**  
**M80-681XXXXP**

**SHT**  
 2 OF 2

## X-ON Electronics

Largest Supplier of Electrical and Electronic Components

*Click to view similar products for [Headers & Wire Housings](#) category:*

*Click to view products by [Harwin](#) manufacturer:*

Other Similar products are found below :

[892-18-020-10-001101](#) [58102-G61-06LF](#) [582553-1](#) [0009485154](#) [009176003701906](#) [0050291907](#) [LY20-4P-DT1-P1E-BR](#) [02.125.8002.8](#)  
[609-3404](#) [61062-3](#) [622-0430](#) [622-3653LF](#) [63453-116](#) [636-1030](#) [636-1427](#) [636-3427](#) [636-4007](#) [641938-9](#) [641991-4](#) [644827-2](#) [65817-010LF](#)  
[65817-015LF](#) [65863-015LF](#) [66207-023LF](#) [67095-007LF](#) [67601157](#) [68648-049](#) [70.362.1628.0](#) [70-4210](#) [70-4226B](#) [70-4853B](#) [707-5020](#) [707-](#)  
[5028](#) [71.350.2428.0](#) [71918-208LF](#) [71961-016LF](#) [733-134](#) [733-162](#) [754199-000](#) [760-3052](#) [787-8014-00](#) [79531-3000](#) [FCN-360C032-B](#) [FCN-](#)  
[367T-T012/H](#) [FCN-723D010/2](#) [80.063.4001.1](#) [800-90-001-10-001000](#) [800-90-010-10-002000](#) [801-43-002-10-013000](#) [801-43-006-10-002000](#)