

# Customer Information Sheet

DRAWING No.: M80-690XX98

SHEET 2 OF 2

IF IN DOUBT - ASK

(C)

NOT TO SCALE

THIRD ANGLE PROJECTION

ALL DIMENSIONS IN mm

## SPECIFICATION

### MATERIAL

HOUSING = GLASS-FILLED POLYAMIDE 46,  
UL94V-0, BLACK

### ELECTRICAL

CURRENT RATING AT 25°C = 3.0A MAX

CURRENT RATING AT 85°C = 2.2A MAX

WORKING VOLTAGE = 800V AC/DC

VOLTAGE PROOF = 1200V AC/DC

CONTACT RESISTANCE = 25 mΩ MAX

INSULATION RESISTANCE = 100 MΩ MIN

### MECHANICAL

DURABILITY = 400 OPERATIONS

INSERTION FORCE (∅0.5mm GAUGE) = 2.8N MAX

WITHDRAWAL FORCE (∅0.5mm GAUGE) = 0.2N MIN

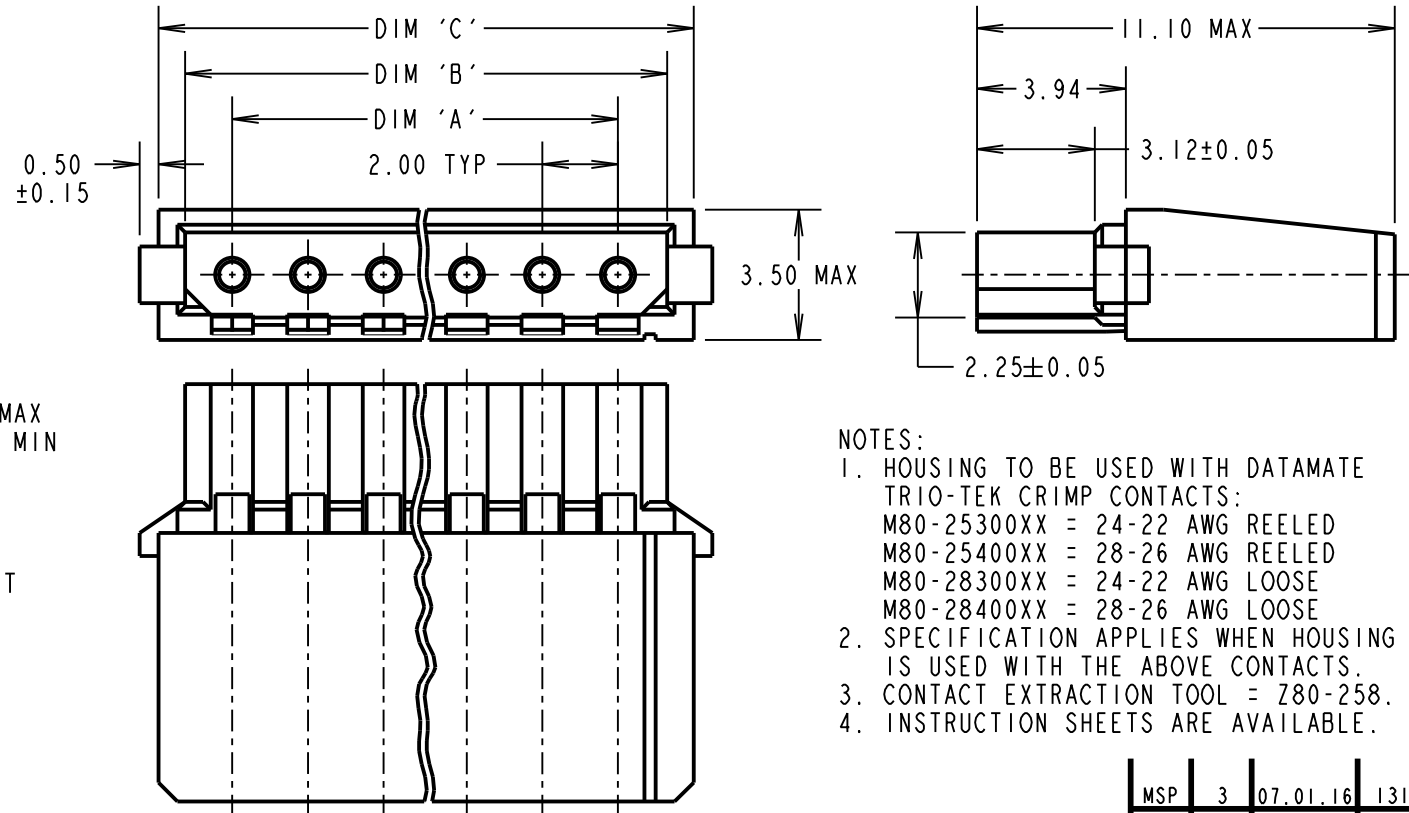
### ENVIRONMENTAL

TEMPERATURE RANGE = -55°C TO +125°C

### PACKING

BAG

FOR COMPLETE SPECIFICATION, SEE COMPONENT  
SPECIFICATION C040XX (LATEST ISSUE)



## NOTES:

- HOUSING TO BE USED WITH DATAMATE TRIO-TEK CRIMP CONTACTS:  
M80-25300XX = 24-22 AWG REELED  
M80-25400XX = 28-26 AWG REELED  
M80-28300XX = 24-22 AWG LOOSE  
M80-28400XX = 28-26 AWG LOOSE
- SPECIFICATION APPLIES WHEN HOUSING IS USED WITH THE ABOVE CONTACTS.
- CONTACT EXTRACTION TOOL = Z80-258.
- INSTRUCTION SHEETS ARE AVAILABLE.

DIMENSION	CALCULATION
DIM 'A'	2 x TOTAL No. OF CONTACT POSITIONS - 2.0
DIM 'B'	2 x TOTAL No. OF CONTACT POSITIONS + 0.6
DIM 'C'	2 x TOTAL No. OF CONTACT POSITIONS + 2.0
EXAMPLE: CONNECTOR WITH 07 CONTACT POSITIONS, M80-6900798	
DIM 'A' = 12.0mm, DIM 'B' = 14.6mm, DIM 'C' = 16.0mm	

ORDER CODE:

**M80-690XX98**

TOTAL No. OF CONTACT POSITIONS \_\_\_\_\_  
02, 03, 04, 05, 06, 07, 17

MSP	3	07.01.16	13139
NAME	ISS.	DATE	C/NOTE
APPROVED:		M.PERREN	
CHECKED:		M.PLESTED	
DRAWN:		S.FLOWER	
CUSTOMER REF.:			
ASSEMBLY DRG:			

# HARWIN

www.harwin.com  
technical@harwin.com

THIS DRAWING AND ANY INFORMATION OR DESCRIPTIVE MATTER SET OUT HEREON ARE CONFIDENTIAL AND COPYRIGHT PROPERTY OF THE HARWIN GROUP AND MUST NOT BE DISCLOSED, LOANED, COPIED OR USED FOR MANUFACTURING, TENDERING OR FOR ANY OTHER PURPOSE WITHOUT THEIR WRITTEN PERMISSION.

TOLERANCES  
X. = ±1mm  
X.X = ±0.50mm  
X.XX = ±0.10mm  
X.XXX = ±0.01mm  
ANGLES = ±5°  
UNLESS STATED

MATERIAL:  
SEE ABOVE

FINISH:  
S/AREA: mm<sup>2</sup>

TITLE: DATAMATE TRIO-TEK  
SIL L-TEK FEMALE CRIMP HOUSING  
2-WAY TO 17-WAY

DRAWING NUMBER:  
**M80-690XX98**

SHT  
2 OF 2

## X-ON Electronics

Largest Supplier of Electrical and Electronic Components

*Click to view similar products for [Headers & Wire Housings](#) category:*

*Click to view products by [Harwin](#) manufacturer:*

Other Similar products are found below :

[892-18-020-10-001101](#) [58102-G61-06LF](#) [582553-1](#) [0009485154](#) [009176003701906](#) [0050291907](#) [LY20-4P-DT1-P1E-BR](#) [02.125.8002.8](#)  
[609-3404](#) [61062-3](#) [622-0430](#) [622-3653LF](#) [63453-116](#) [636-1030](#) [636-1427](#) [636-3427](#) [636-4007](#) [641938-9](#) [641991-4](#) [644827-2](#) [65817-010LF](#)  
[65817-015LF](#) [65863-015LF](#) [66207-023LF](#) [67095-007LF](#) [67601157](#) [68648-049](#) [70.362.1628.0](#) [70-4210](#) [70-4226B](#) [70-4853B](#) [707-5020](#) [707-5028](#) [71.350.2428.0](#) [71918-208LF](#) [71961-016LF](#) [733-134](#) [733-162](#) [754199-000](#) [760-3052](#) [787-8014-00](#) [79531-3000](#) [FCN-360C032-B](#) [FCN-367T-T012/H](#) [FCN-723D010/2](#) [80.063.4001.1](#) [800-90-001-10-001000](#) [800-90-010-10-002000](#) [801-43-002-10-013000](#) [801-43-006-10-002000](#)