

Customer Information Sheet

DRAWING No.: M80-781XXXX

SHEET 2 OF 2

IF IN DOUBT - ASK

(C)

NOT TO SCALE

THIRD ANGLE PROJECTION

ALL DIMENSIONS IN mm

ORDER CODE: **M80-781XXXX**

TOTAL No. OF WAYS
02-07, 17, 22

FINISH
22 - GOLD ON CONTACT AREA
TIN/LEAD ON TAILS
42 - GOLD ON CONTACT AREA
100% TIN ON TAILS
45 - GOLD

SPECIFICATIONS:

MATERIAL:
MOULDING = GLASS-FILLED POLYAMIDE 46
UL94V-0, BLACK

CONTACTS = PHOSPHOR BRONZE
LATCHES = BERYLLIUM COPPER

FINISH:
CONTACTS:
22 = 0.75µ GOLD ON CONTACT AREA.
3.0µ 90/10 TIN/LEAD ON TAILS
42 = 0.75µ GOLD ON CONTACT AREA.
3.0µ 100% TIN OVER NICKEL ON TAILS
45 = 0.75µ GOLD
LATCH = 1.25µ NICKEL

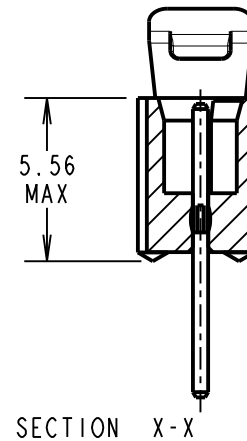
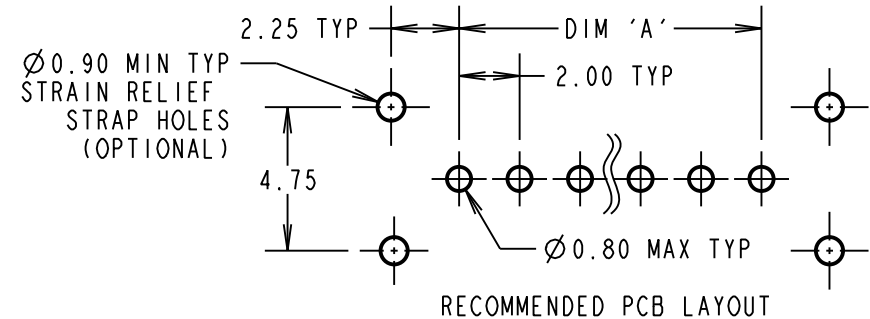
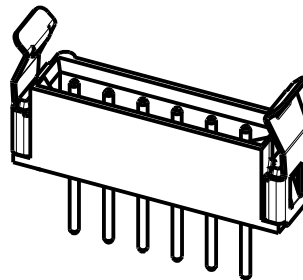
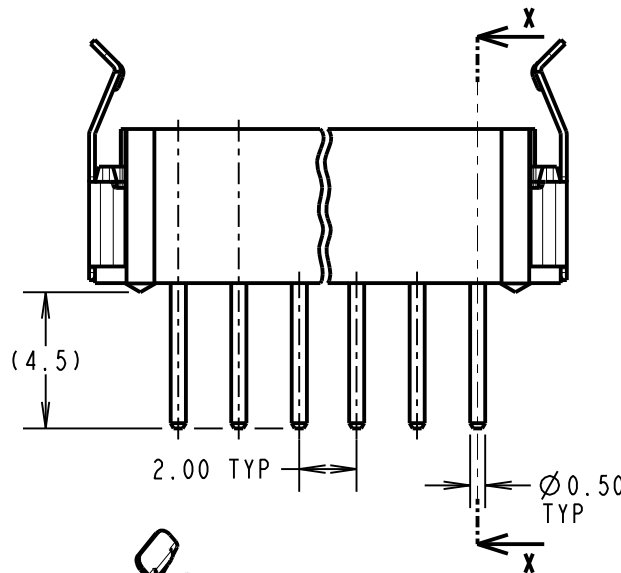
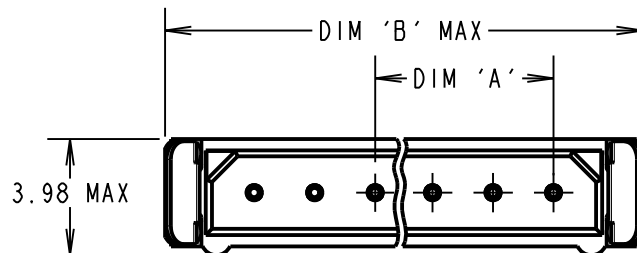
ELECTRICAL:
CURRENT RATING (25°C) = 3.0A MAX.
CURRENT RATING (85°C) = 2.2A MAX.
WORKING VOLTAGE = 120V AC/DC
VOLTAGE PROOF = 360V AC/DC

CONTACT RESISTANCE:
INITIAL = 20mΩ MAX.
AFTER CONDITIONING = 25mΩ MAX.
INSULATION RESISTANCE:
INITIAL = 1000MΩ MIN.
AFTER CONDITIONING = 100MΩ MIN.

MECHANICAL:
DURABILITY = 500 OPERATIONS

ENVIRONMENTAL:
TEMPERATURE RANGE = -55°C TO +125°C

PACKING: TUBE
FOR COMPLETE SPECIFICATION, SEE COMPONENT
SPECIFICATION C005XX (LATEST ISSUE)



NOTES:
1. 2-OFF STRAIN RELIEF STRAPS
M80-0030006 MAY BE USED
WITH EACH CONNECTOR.

PART No.	No. OF CONTACTS	DIM 'A'	DIM 'B'
M80-78102XX	2	2.00	8.10
M80-78103XX	3	4.00	10.10
M80-78104XX	4	6.00	12.10
M80-78105XX	5	8.00	14.10
M80-78106XX	6	10.00	16.10
M80-78107XX	7	12.00	18.10
M80-78117XX	17	32.00	38.10
M80-78122XX	22	42.00	48.10

SM	3	27.05.11	10832
NAME	ISS.	DATE	C/NOTE
APPROVED: S. MCCULLAGH			
CHECKED: M. G. PLESTED			
DRAWN: B. M. KENT			
CUSTOMER REF.:			
ASSEMBLY DRG:			

HARWIN

HARWIN USA TEL: 603 893 5376 FAX: 603 893 5396 mis@harwin.com	HARWIN Europe (UK) TEL: 023 9231 4545 FAX: 023 9231 4590 mis@harwin.co.uk	HARWIN Asia TEL: +65 6 779 4909 FAX: +65 6 779 3868 mis@harwin.com.sg
--	--	--

THIS DRAWING AND ANY INFORMATION OR DESCRIPTIVE MATTER SET OUT HEREON ARE CONFIDENTIAL AND COPYRIGHT PROPERTY OF THE HARWIN GROUP AND MUST NOT BE DISCLOSED, LOANED, COPIED OR USED FOR MANUFACTURING, TENDERING OR FOR ANY OTHER PURPOSE WITHOUT THEIR WRITTEN PERMISSION.

TOLERANCES
X. = ±1mm
X.X = ±0.25mm
X.XX = ±0.10mm
X.XXX = ±0.01mm
ANGLES = ±5°
UNLESS STATED

MATERIAL:
SEE ABOVE
FINISH: SEE ABOVE
S/AREA: mm²

TITLE: DATAMATE SIL
VERTICAL MALE PC TAIL
ASSEMBLY - FRICTION LATCH
DRAWING NUMBER: **M80-781XXXX**
SHT 2 OF 2

X-ON Electronics

Largest Supplier of Electrical and Electronic Components

Click to view similar products for [Headers & Wire Housings](#) category:

Click to view products by [Harwin](#) manufacturer:

Other Similar products are found below :

[892-18-020-10-001101](#) [58102-G61-06LF](#) [582553-1](#) [0009485154](#) [009176003701906](#) [0050291907](#) [LY20-4P-DT1-P1E-BR](#) [02.125.8002.8](#)
[609-3404](#) [61062-3](#) [622-0430](#) [622-3653LF](#) [63453-116](#) [636-1030](#) [636-1427](#) [636-3427](#) [636-4007](#) [641938-9](#) [641991-4](#) [644827-2](#) [65817-010LF](#)
[65817-015LF](#) [65863-015LF](#) [66207-023LF](#) [67095-007LF](#) [67601157](#) [68648-049](#) [70.362.1628.0](#) [70-4210](#) [70-4226B](#) [70-4853B](#) [707-5020](#) [707-5028](#) [71.350.2428.0](#) [71918-208LF](#) [71961-016LF](#) [733-134](#) [733-162](#) [754199-000](#) [760-3052](#) [787-8014-00](#) [79531-3000](#) [FCN-360C032-B](#) [FCN-367T-T012/H](#) [FCN-723D010/2](#) [80.063.4001.1](#) [800-90-001-10-001000](#) [800-90-010-10-002000](#) [801-43-002-10-013000](#) [801-43-006-10-002000](#)