

Customer Information Sheet

DRAWING No.: M80-827XXX

SHEET 2 OF 2

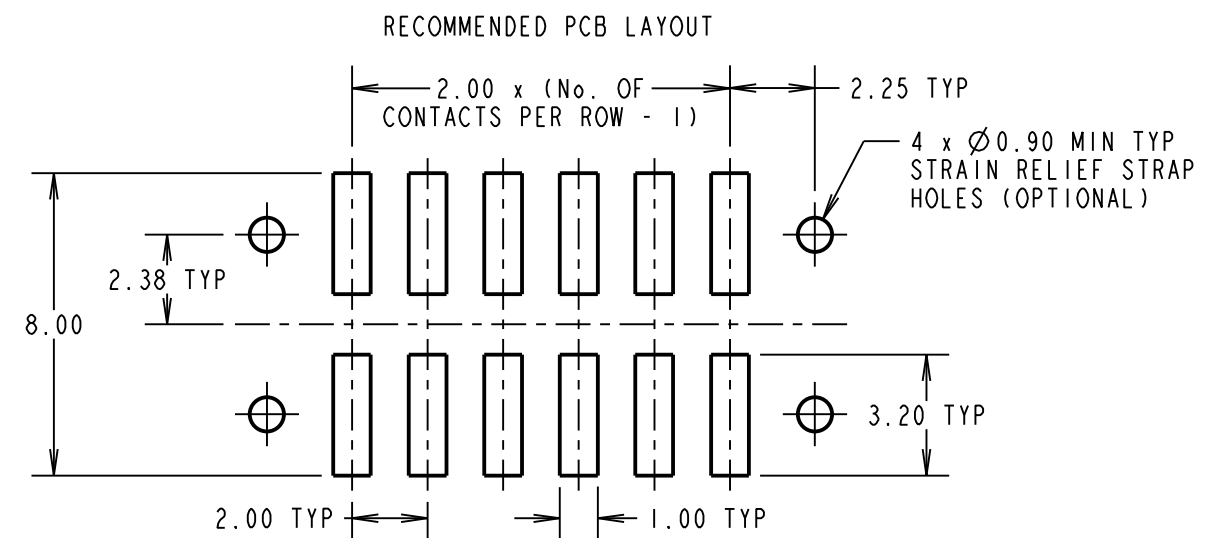
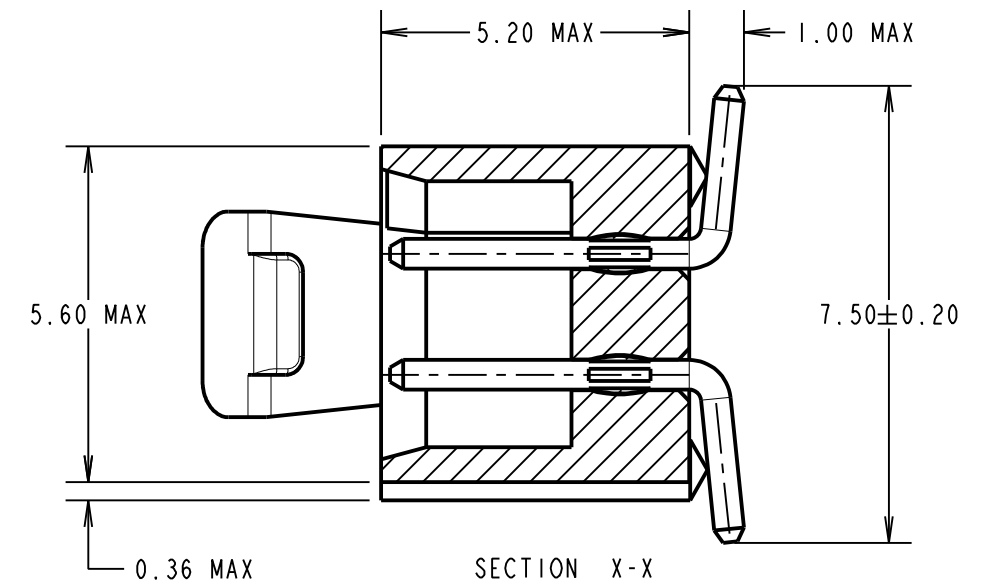
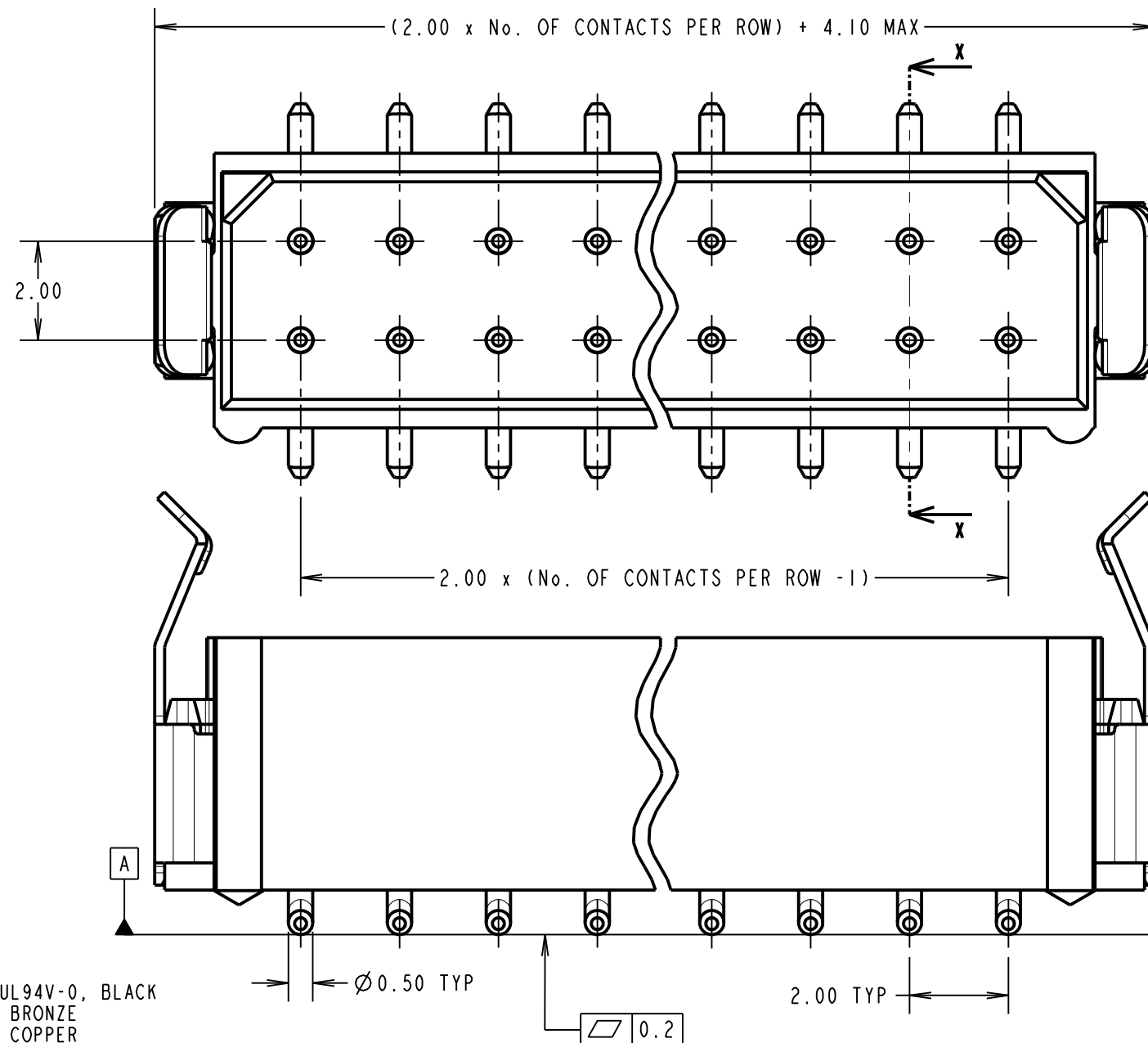
IF IN DOUBT - ASK

©

NOT TO SCALE

THIRD ANGLE PROJECTION

ALL DIMENSIONS IN mm



SPECIFICATIONS:
MATERIAL:
 MOULDING = G-F PPS UL94V-0, BLACK
 CONTACTS = PHOSPHOR BRONZE
 LATCHES - BERYLLIUM COPPER
FINISH:
CONTACTS:
 22 = 0.75µ GOLD ON CONTACT AREA,
 3.0µ 90/10 TIN/LEAD ON TAILS
 42 = 0.75µ GOLD ON CONTACT AREA,
 3.0µ 100% TIN OVER NICKEL ON TAILS
 45 = 0.75µ GOLD ALL OVER
 LATCH = 1.25µ NICKEL
ELECTRICAL:
 CURRENT RATING AT 25°C = 3.0A MAX
 CURRENT RATING AT 85°C = 2.2A MAX
 WORKING VOLTAGE = 800V AC/DC
 VOLTAGE PROOF = 1200V AC/DC
 CONTACT RESISTANCE (INITIAL) = 20mΩ MAX
 CONTACT RESISTANCE (AFTER CONDITIONING) = 25mΩ MAX
 INSULATION RESISTANCE (INITIAL) = 1,000MΩ MIN
 INSULATION RESISTANCE (AFTER CONDITIONING) = 100MΩ MIN

MECHANICAL:
 DURABILITY = 500 OPERATIONS
ENVIRONMENTAL:
 TEMPERATURE RANGE = -55°C TO +125°C
PACKING:
 TUBE
 FOR COMPLETE SPECIFICATION, SEE COMPONENT SPECIFICATION C005XX (LATEST ISSUE)

NOTES:
 1. 2-OFF STRAIN RELIEF STRAPS M80-0030006 MAY BE USED WITH THIS CONNECTOR.

ORDER CODE:
M80-827XXX
 No. OF WAYS: 04, 06, 08, 10, 12, 14, 16, 18, 20, 26, 34
FINISH:
 22 - SELECTIVE GOLD + TIN/LEAD
 42 - SELECTIVE GOLD + 100% TIN
 45 - GOLD

MSP	8	21.12.15	12814
NAME	ISS.	DATE	C/NOTE
APPROVED: M.PERREN			
CHECKED: S.BENNETT			
DRAWN: J.EVANS			
CUSTOMER REF.:			
ASSEMBLY DRG:			

HARWIN
 www.harwin.com
 technical@harwin.com

THIS DRAWING AND ANY INFORMATION OR DESCRIPTIVE MATTER SET OUT HEREON ARE CONFIDENTIAL AND COPYRIGHT PROPERTY OF THE HARWIN GROUP AND MUST NOT BE DISCLOSED, LOANED, COPIED OR USED FOR MANUFACTURING, TENDERING OR FOR ANY OTHER PURPOSE WITHOUT THEIR WRITTEN PERMISSION.

TOLERANCES
 X. = ±1mm
 X.X = ±0.50mm
 X.XX = ±0.10mm
 X.XXX = ±0.01mm
 ANGLES = ±5°
 UNLESS STATED

MATERIAL:
 SEE ABOVE
FINISH: SEE ABOVE
S/AREA: mm²

TITLE: DATAMATE L-TEK MALE DIL VERTICAL SMT ASSEMBLY - FRICTION LATCH
DRAWING NUMBER: M80-827XXX
SHT 2 OF 2

X-ON Electronics

Largest Supplier of Electrical and Electronic Components

Click to view similar products for [Harwin](#) manufacturer:

Other Similar products are found below :

[G125-MC12005L4-0150M](#) [S25-546](#) [M80-1030698S](#) [M80-4711005](#) [M80-5132642](#) [M80-5711005](#) [M80-9403405](#) [M80-9412042](#) [Z1023-00](#)
[Z80-300](#) [Z80-295](#) [G125-MH15005L7P](#) [M80-5400622](#) [M22520-02-01](#) [M22-2510405](#) [M20-9770246](#) [Z80-292](#) [Z30-021](#) [M20-9752046](#) [Z50-](#)
[020](#) [G125-FV12005F1P](#) [G125-9641600](#) [M80-4D10605F2-02-327-00-000](#) [G125-3241096M3](#) [G125-96450F1](#) [G125-FC11005F0-0450L](#) [G125-](#)
[FC11005F1-0150F1](#) [M80-4051605](#) [M80-FC325F1-04-0300L](#) [M80-5T10622MC](#) [G125-FC11068L0-0150L](#) [M80-5T10805M2-02-331-00-000](#)
[M80-FC23468FC-0150L](#) [M80C150968C](#) [M80-4122042](#) [M80-MV311M2-06](#) [G125-FV13405L0P](#) [H2039-01](#) [M80-4861405](#) [M80-](#)
[5000000M2-10-331-00-000](#) [Z1022-00](#) [M83-LFT1F2N27-0000-000](#) [M83-LFT1F2N36-0000-000](#) [M80-8771722](#) [M80-8871001](#) [M80-](#)
[5T10605M1-02-331-00-000](#) [M50-4900845](#) [Z80-259](#) [Z125-9265000](#) [Z125-9263400](#)