

Customer Information Sheet

DRAWING No.: M80-878XXXX

SHEET 2 OF 2

IF IN DOUBT - ASK

(C)

NOT TO SCALE

THIRD ANGLE PROJECTION

ALL DIMENSIONS IN mm

SPECIFICATIONS:

MATERIAL:

MOULDING = GLASS-FILLED PBT,
UL94V-0, BLACK

CONTACTS = PHOSPHOR BRONZE

FINISH:

CONTACTS:

05 = 0.75µ GOLD

22 = 0.75µ GOLD ON CONTACT AREA.

3.0µ 90/10 TIN/LEAD ON TAILS

ELECTRICAL:

CURRENT RATING (25°C) = 3.0A MAX.

CURRENT RATING (85°C) = 2.2A MAX.

WORKING VOLTAGE = 120V AC/DC

VOLTAGE PROOF = 360V AC/DC

CONTACT RESISTANCE:

INITIAL = 20 mΩ MAX.

AFTER CONDITIONING = 25 mΩ MAX.

INSULATION RESISTANCE:

INITIAL = 1000 MΩ MIN.

AFTER CONDITIONING = 100 MΩ MIN.

MECHANICAL:

DURABILITY = 500 OPERATIONS

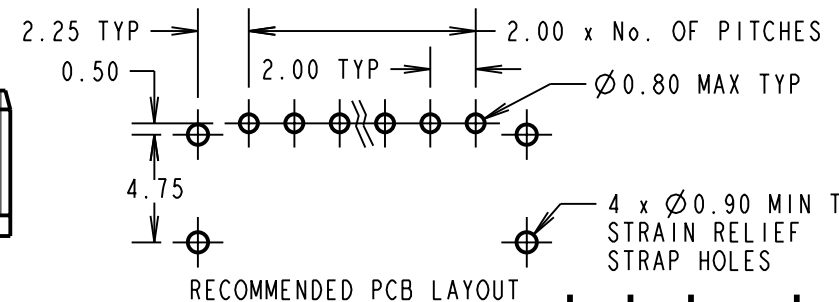
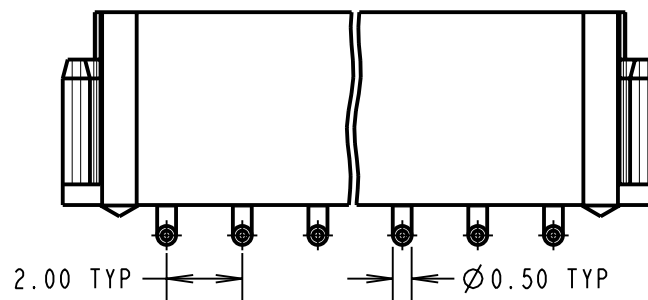
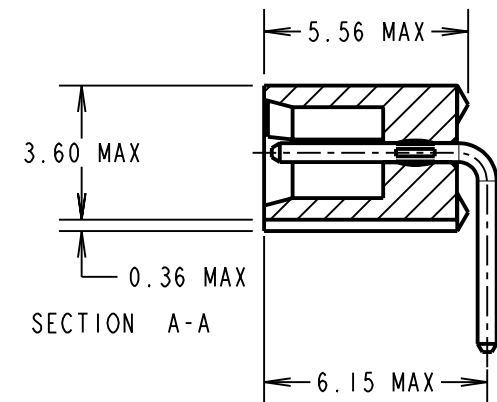
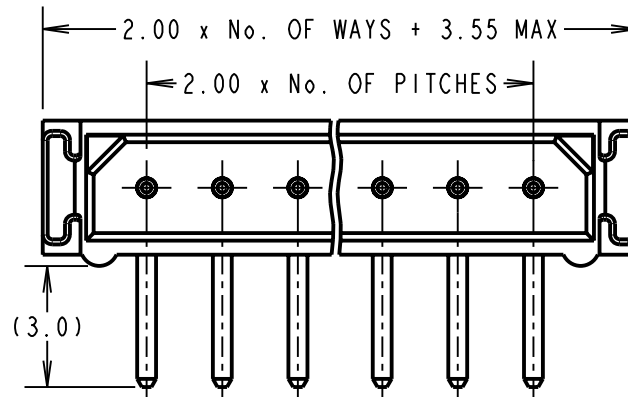
ENVIRONMENTAL:

TEMPERATURE RANGE = -55°C TO +125°C

PACKING:

TUBE

FOR COMPLETE SPECIFICATION, SEE COMPONENT SPECIFICATION C005XX (LATEST ISSUE)



NOTES:

- 2-OFF STRAIN RELIEF STRAPS M80-0030006 ARE INCLUDED WITH THIS CONNECTOR.
- FOR ROHS COMPLIANT EQUIVALENT PRODUCT USE M80-843XXXX CONNECTORS.

BRITISH STANDARD ORDER CODE:

B5743-1XX-M-L-X

TOTAL No. OF WAYS
02 - 07, 17, 22

FINISH:
0 = SELECTIVE GOLD
2 = GOLD

ORDER CODE:

M80-878XXXX

TOTAL No. OF WAYS
02 - 07, 17, 22.

FINISH:
05 = GOLD
22 = SELECTIVE GOLD & TIN/LEAD

CP	13	01.10.09	10303
NAME	ISS.	DATE	C/NOTE
APPROVED: C.PENROSE			
CHECKED: R.ADDE			
DRAWN: W.J.BOURNE			
CUSTOMER REF.:			
ASSEMBLY DRG:			

HARWIN

THIS DRAWING AND ANY INFORMATION OR DESCRIPTIVE MATTER SET OUT HEREON ARE CONFIDENTIAL AND COPYRIGHT PROPERTY OF THE HARWIN GROUP AND MUST NOT BE DISCLOSED, LOANED, COPIED OR USED FOR MANUFACTURING, TENDERING OR FOR ANY OTHER PURPOSE WITHOUT THEIR WRITTEN PERMISSION.

TOLERANCES

X. = ±1mm
X.X = ±0.25mm
X.XX = ±0.10mm
X.XXX = ±0.01mm

ANGLES = ±5°
UNLESS STATED

MATERIAL:

SEE ABOVE

FINISH: SEE ABOVE

S/AREA: mm²

TITLE:

DATAMATE SIL
HORIZONTAL MALE PC TAIL
ASSEMBLY - UNLATCHED

DRAWING NUMBER:

M80-878XXXX

SHT
2 OF 2

HARWIN USA
TEL: 603 893 5376
FAX: 603 893 5396
mis@harwin.com

HARWIN Europe (UK)
TEL: 023 9231 4545
FAX: 023 9231 4590
mis@harwin.co.uk

HARWIN Asia
TEL: +65 6 779 4909
FAX: +65 6 779 3868
mis@harwin.com.sg

X-ON Electronics

Largest Supplier of Electrical and Electronic Components

Click to view similar products for [Headers & Wire Housings](#) category:

Click to view products by [Harwin](#) manufacturer:

Other Similar products are found below :

[892-18-020-10-001101](#) [58102-G61-06LF](#) [582553-1](#) [0009485154](#) [009176003701906](#) [0050291907](#) [LY20-4P-DT1-P1E-BR](#) [02.125.8002.8](#)
[609-3404](#) [61062-3](#) [622-0430](#) [622-3653LF](#) [63453-116](#) [636-1030](#) [636-1427](#) [636-3427](#) [636-4007](#) [641938-9](#) [641991-4](#) [644827-2](#) [65817-010LF](#)
[65817-015LF](#) [65863-015LF](#) [66207-023LF](#) [67095-007LF](#) [67601157](#) [68648-049](#) [70.362.1628.0](#) [70-4210](#) [70-4226B](#) [70-4853B](#) [707-5020](#) [707-](#)
[5028](#) [71.350.2428.0](#) [71918-208LF](#) [71961-016LF](#) [733-134](#) [733-162](#) [754199-000](#) [760-3052](#) [787-8014-00](#) [79531-3000](#) [FCN-360C032-B](#) [FCN-](#)
[367T-T012/H](#) [FCN-723D010/2](#) [80.063.4001.1](#) [800-90-001-10-001000](#) [800-90-010-10-002000](#) [801-43-002-10-013000](#) [801-43-006-10-002000](#)