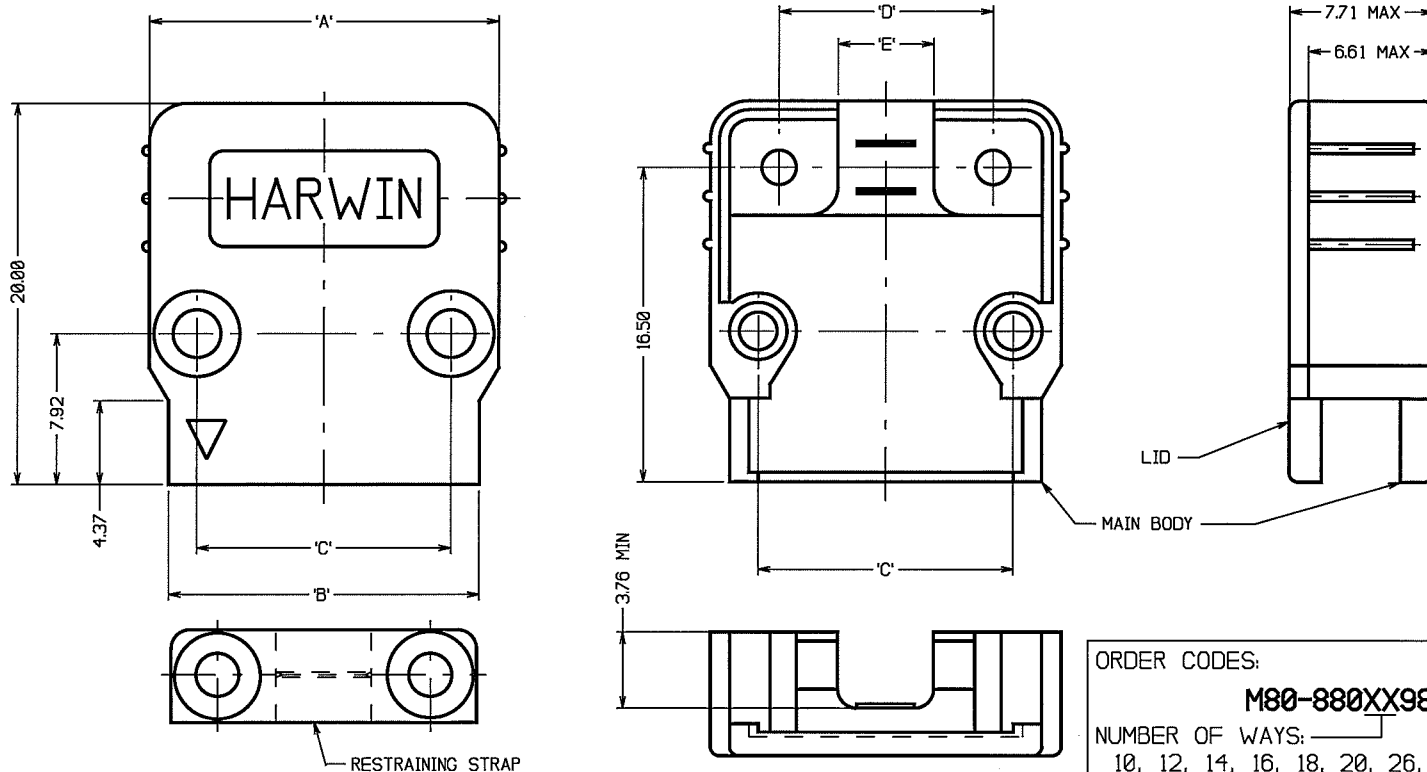


# Customer Information Sheet

DRAWING No.: M80-880XX98 SHEET 2 OF 2 IF IN DOUBT - ASK © NOT TO SCALE THIRD ANGLE PROJECTION ALL DIMENSIONS IN mm



ORDER CODES:  
**M80-880XX98**  
 NUMBER OF WAYS: \_\_\_\_\_  
 10, 12, 14, 16, 18, 20, 26, 34

ASSEMBLY PART NUMBER	No OF WAYS	DIMENSIONS				
		'A'	'B'	'C'	'D'	'E'
M80-8801098	10	16.30	14.30	11.30	9.15	5.00
M80-8801298	12	18.30	16.30	13.30	11.15	5.00
M80-8801498	14	20.30	18.30	15.30	13.15	6.00
M80-8801698	16	22.30	20.30	17.30	15.15	6.00
M80-8801898	18	24.30	22.30	19.30	17.15	7.00
M80-8802098	20	26.30	24.30	21.30	19.15	8.00
M80-8802698	26	32.30	30.30	27.30	25.15	10.00
M80-8803498	34	40.30	38.30	35.30	33.15	14.00

- NOTES:
- ASSEMBLY KIT ALSO INCLUDES 2 OFF 2 x 4.5 LONG FOR STRAP & 2 OFF 2 x 6.0 LONG FOR LID SELF TAPPING SCREWS.
  - MATERIAL FOR LID, BODY & STRAP:  
30% GLASS FILLED POLYESTER, UL94V-0, BLACK.
  - FOR INSTRUCTION SPECIFICATIONS, SEE INSTRUCTION SHEET IS-08.

RA	5	16.03.09	10311
NAME	ISS.	DATE	C/NOTE
APPROVED: <i>[Signature]</i>			
CHECKED: <i>[Signature]</i>			
DRAWN:		P. COLLINS	
CUSTOMER REF.:			
ASSEMBLY DRG:			

<b>HARWIN</b>			THIS DRAWING AND ANY INFORMATION OR DESCRIPTIVE MATTER SET OUT HEREON ARE CONFIDENTIAL AND COPYRIGHT PROPERTY OF THE HARWIN GROUP AND MUST NOT BE DISCLOSED, LOANED, COPIED OR USED FOR MANUFACTURING, TENDERING OR FOR ANY OTHER PURPOSE WITHOUT THEIR WRITTEN PERMISSION.	<b>TOLERANCES</b> X. = ±1mm X.X = ±0.25mm X.XX = ±0.10mm X.XXX = ±0.01mm ANGLES = ±5° UNLESS STATED	<b>MATERIAL:</b>  SEE NOTES	<b>TITLE:</b> DATAMATE CABLE HOOD ASSEMBLY/KIT
HARWIN USA TEL: 603 893 5376 FAX: 603 893 5396 mis@harwin.com	HARWIN Europe (UK) TEL: 023 9231 4545 FAX: 023 9231 4590 mis@harwin.co.uk	HARWIN Asia TEL: +65 6 779 4909 FAX: +65 6 779 3868 mis@harwin.com.sg				

## X-ON Electronics

Largest Supplier of Electrical and Electronic Components

*Click to view similar products for [Headers & Wire Housings](#) category:*

*Click to view products by [Harwin](#) manufacturer:*

Other Similar products are found below :

[892-18-020-10-001101](#) [58102-G61-06LF](#) [582553-1](#) [0009485154](#) [009176003701906](#) [0050291907](#) [LY20-4P-DT1-P1E-BR](#) [02.125.8002.8](#)  
[609-3404](#) [61062-3](#) [622-0430](#) [622-3653LF](#) [63453-116](#) [636-1030](#) [636-1427](#) [636-3427](#) [636-4007](#) [641938-9](#) [641991-4](#) [644827-2](#) [65817-010LF](#)  
[65817-015LF](#) [65863-015LF](#) [66207-023LF](#) [67095-007LF](#) [67601157](#) [68648-049](#) [70.362.1628.0](#) [70-4210](#) [70-4226B](#) [70-4853B](#) [707-5020](#) [707-5028](#) [71.350.2428.0](#) [71918-208LF](#) [71961-016LF](#) [733-134](#) [733-162](#) [754199-000](#) [760-3052](#) [787-8014-00](#) [79531-3000](#) [FCN-360C032-B](#) [FCN-367T-T012/H](#) [FCN-723D010/2](#) [80.063.4001.1](#) [800-90-001-10-001000](#) [800-90-010-10-002000](#) [801-43-002-10-013000](#) [801-43-006-10-002000](#)