

Customer Information Sheet

DRAWING No.: M80-F1XXXXX-XXX-L

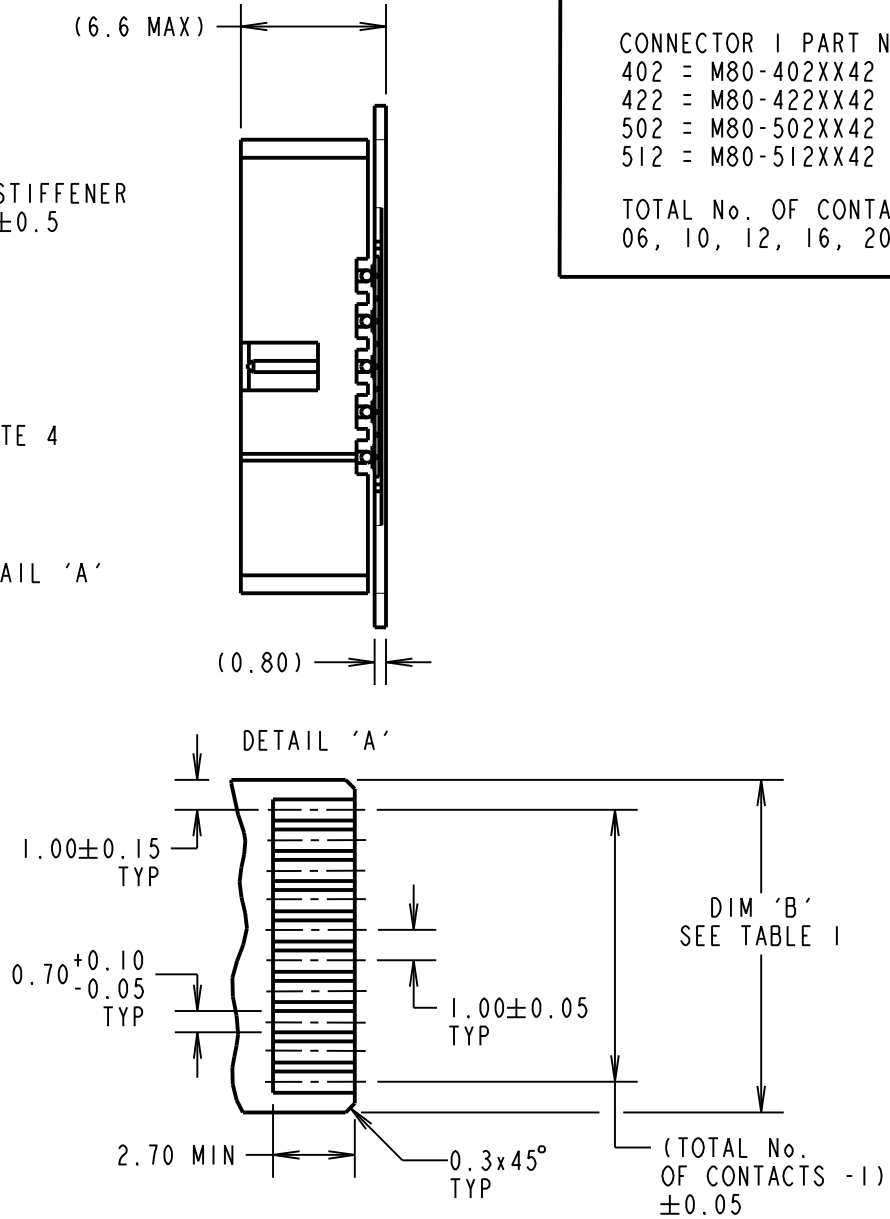
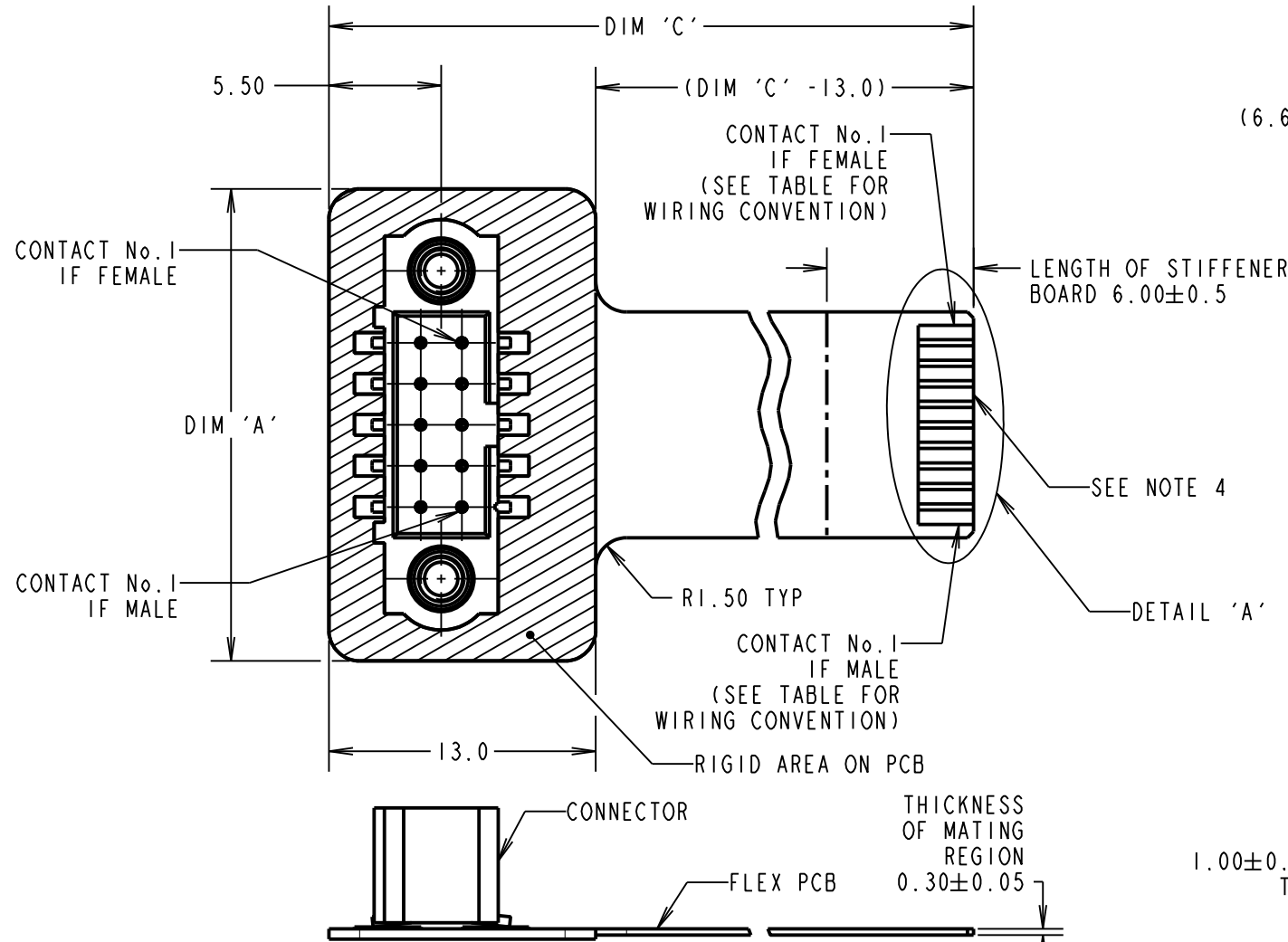
IF IN DOUBT - ASK

©

NOT TO SCALE

THIRD ANGLE PROJECTION

ALL DIMENSIONS IN mm



ORDER CODE:
M80-F1XXXXX-XXX-L
 CONNECTOR PART No.: _____
 402 = M80-402XX42
 422 = M80-422XX42
 502 = M80-502XX42
 512 = M80-512XX42
 TOTAL No. OF CONTACTS: _____
 06, 10, 12, 16, 20, 26, 34, 50.
 DIM 'C' (PCB LENGTH):
 999 = 999mm MAX.

TABLE 2

ZIF PIN OUT No.	CONNECTOR PIN OUT No.
1	1
2	6
3	2
4	7
5	3
6	8
7	4
8	9
9	5
10	10

BASED ON M80-F150210-100-L SHOWN. CONVENTION CONTINUES AS FOLLOWS:
 ALL FIRST ROW CONTACTS:
 CONTACT X TO CONTACT ((TOTAL/2)+X)
 (WHERE X IS CONTACT POSITION)
 ALL SECOND ROW CONTACTS:
 CONTACT Y TO CONTACT (Y-(TOTAL/2))
 (WHERE Y IS CONTACT POSITION)
 'FIRST ROW' POSITIONS ARE ON CONTACT No. 1 ROW
 'SECOND ROW' POSITIONS ARE ON ROW OPPOSITE CONTACT No. 1

- NOTES:
- FOR COMPLETE CONNECTOR SPECIFICATION, SEE COMPONENT SPECIFICATION C005XX (LATEST ISSUE).
 - CONNECTOR SHOWN FOR REFERENCE ONLY. SEE TABLE AND ORDER CODE FOR POSSIBLE CONFIGURATIONS.
 - PCB ASSEMBLIES PACKED INDIVIDUALLY IN ANTI-STATIC BAGS.
 - 1.00mm PITCH CONNECTION DESIGNED FOR USE WITH ZIF/FPC/FFC.
 - JACKSCREWS MUST BE TO FASTENED TO $21 \pm 2 \text{cmN}$ (AS PER C005XX).

FLEX PCB SPECIFICATION:

- BOARD CONSTRUCTION:
 SINGLE LAYER FLEXIBLE PCB
 50µm BASE POLYIMIDE
 35µm (1oz) COPPER CLAD TO IPC-4204/1
 50µm BONDED COVERLAY TO IPC-4203/1
 0.8mm HTG FR4 TO IPC-4101/126 LOCALLY RIGIDISED IN CONNECTOR AREAS
- SURFACE FINISH:
 ENIG TO IPC-4552 ON EXPOSED COPPER
- IPC CLASSIFICATION:
 BARE CIRCUIT - IPC-A-600/IPC-6013 CLASS 3
 ASSEMBLY - IPC-A-610/J-STD-001 CLASS 3
- MECHANICAL PROPERTIES:
 NOMINAL FLEX THICKNESS = 0.185mm
 MINIMUM STATIC BEND RADIUS (IPC-2223) = 1.85mm
 SUITABLE FOR DYNAMIC OPERATION ON BEND RADII ABOVE 3.70mm
- ELECTRICAL PROPERTIES:
 MAX. CURRENT PER TRACK = 1.0A
 INSULATION RESISTANCE = $1G\Omega$ MIN
 VOLTAGE PROOF (1013mbar, SEA LEVEL) = 1200V DC OR AC PEAK

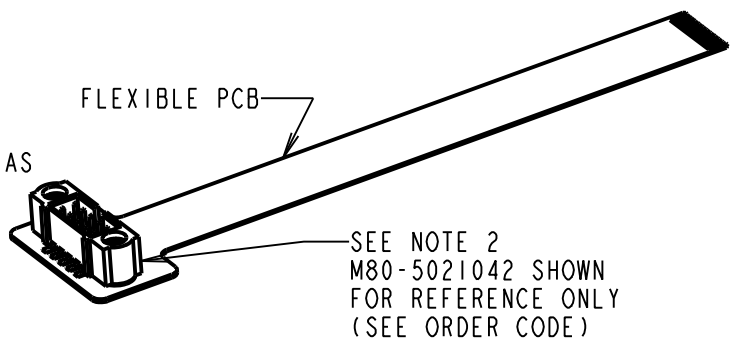


TABLE 1

DIMENSION	CALCULATION
DIM 'A'	TOTAL No. OF CONTACTS + 13
DIM 'B'	(TOTAL No. OF CONTACTS + 1) + 0.10/-0.05
DIM 'C'	OVERALL PCB LENGTH (SEE ORDER CODE)

EXAMPLE:
 100mm FLEX PCB WITH 10 CONTACT CONNECTOR (M80-5021042)
 PART NUMBER = M80-F150210-100-L
 DIM 'A' = 23mm DIM 'B' = 11mm DIM 'C' = 100mm

RTP	5	06.05.21	30532
NAME	ISS.	DATE	CN/CO
APPROVED: R.PORTLOCK			
CHECKED: M.RUDKIN			
DRAWN: R.PORTLOCK			
CUSTOMER REF.:			
ASSEMBLY DRG:			

HARWIN
 www.harwin.com
 technical@harwin.com

THIS DRAWING AND ANY INFORMATION OR DESCRIPTIVE MATTER SET OUT HEREON ARE CONFIDENTIAL AND COPYRIGHT PROPERTY OF THE HARWIN GROUP AND MUST NOT BE DISCLOSED, LOANED, COPIED OR USED FOR MANUFACTURING, TENDERING OR FOR ANY OTHER PURPOSE WITHOUT THEIR WRITTEN PERMISSION.

TOLERANCES
 X. = ±1mm
 X.X = ±0.50mm
 X.XX = ±0.20mm
 X.XXX = ±0.01mm
 ANGLES = ±5°
 UNLESS STATED

MATERIAL:
 SEE ABOVE
 FINISH: SEE ABOVE
 S/AREA: mm²

TITLE:
 DATAMATE FLEX PCB ASSEMBLY
 DRAWING NUMBER:
M80-F1XXXXX-XXX-L
 SHT 2 OF 2

X-ON Electronics

Largest Supplier of Electrical and Electronic Components

Click to view similar products for [Rectangular Cable Assemblies](#) category:

Click to view products by [Harwin](#) manufacturer:

Other Similar products are found below :

[MC320E-N-23](#) [G125FC10668L0-0300L](#) [G125FC10668L0-0150L](#) [G125-FC11068L0-0150L](#) [G125-FC11068L0-0300L](#) [HQCD-090-05.00-](#)
[TTR-TTR-1-B](#) [M80-FC23468FC-0150L](#) [215322-2032](#) [215323-2052](#) [215323-1032](#) [215323-2031](#) [SFSDT-35-28-H-24.00-SR](#) [SFSDT-30-28-](#)
[H-24.00-SR](#) [SFSDT-50-28-H-24.00-SR](#) [S1SS-05-28-GF-10.00-S](#) [SMSD-05-24-L-06.00-D-K-KDX](#) [ERCDCD-030-11.81-TEU-TED-1-D](#)
[CABLE-PH10](#) [CABLE-EH04](#) [vrw-05-20-50-01g-000-e090](#) [MP-2J1-025-PS1-005M](#) [CABLE-PH04](#) [27ZRO-B-1A](#) [M300-FC11005F2-0450L](#)
[M300-FC21005F2-0450L](#) [M80-FC305F1-04-0300F1](#) [45130-0401](#) [45130-0210](#) [45130-0410](#) [45111-0402](#) [45111-0603](#) [15134-0302](#) [15134-](#)
[0401](#) [15134-0803](#) [15134-0801](#) [45111-0403](#) [15132-0403](#) [15131-0403](#) [15134-1003](#) [15134-1000](#) [45135-0603](#) [45135-0401](#) [45132-0610](#) [15134-](#)
[1002](#) [45135-0610](#) [45132-0403](#) [15134-1203](#) [15135-0806](#) [15134-0300](#) [15134-1202](#)