

Customer Information Sheet

DRAWING No.: M80-FCXXX68L0-XXXXL

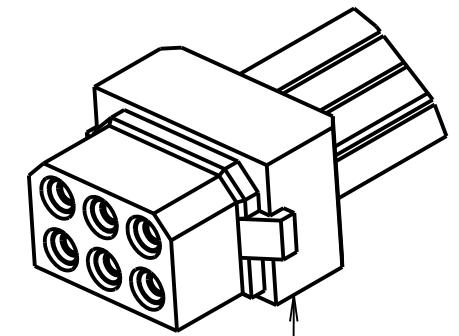
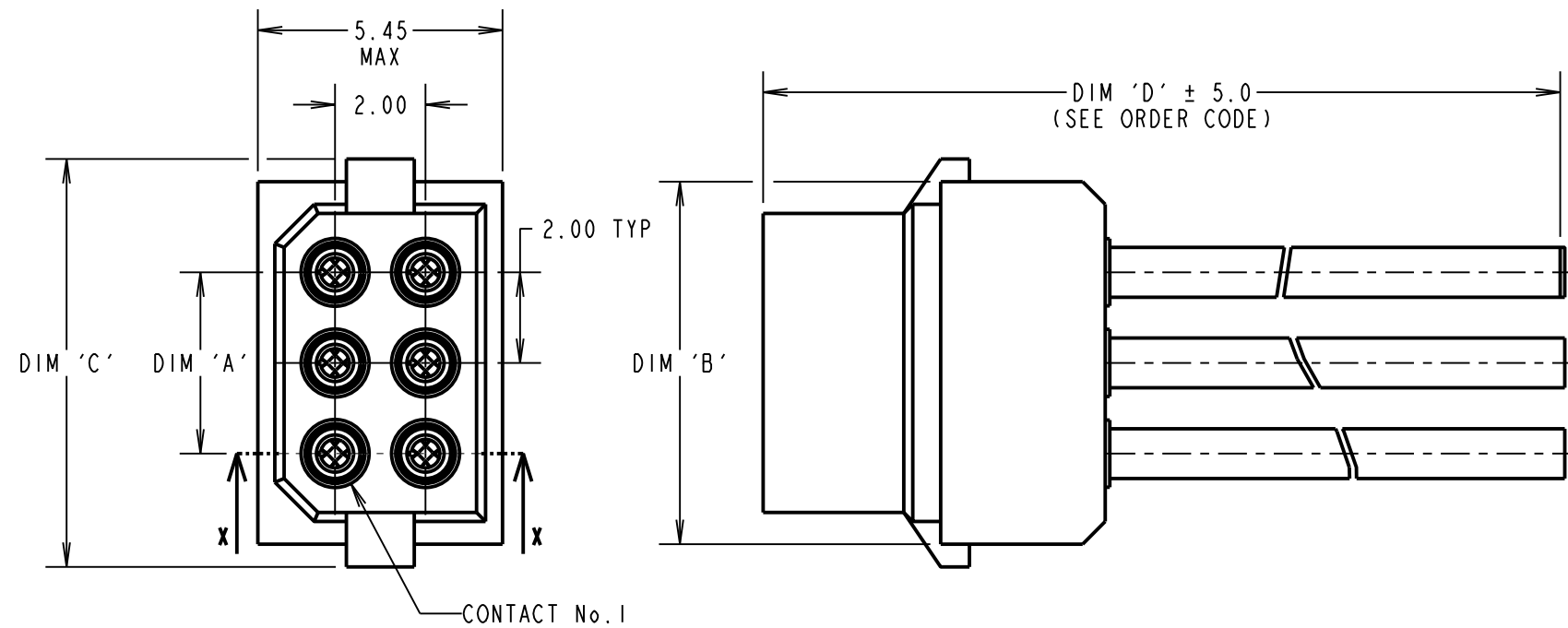
IF IN DOUBT - ASK

©

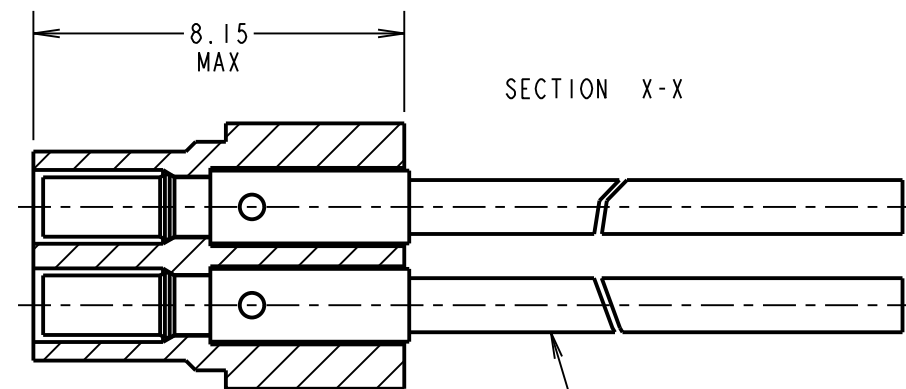
NOT TO SCALE

THIRD ANGLE PROJECTION

ALL DIMENSIONS IN mm



FEMALE MOULDING (1-OFF):
SEE ORDER CODE FOR TOTAL
NUMBER OF CONTACTS



WHITE PTFE WIRE:
IN ACCORDANCE WITH COMPONENT SPECIFICATION C049XX
(SEE ORDER CODE FOR WIRE GAUGE)

CONTACT No.	WIRE COLOUR
1	BLACK
2	BROWN
3	RED
4	ORANGE
5	YELLOW
6	GREEN
7	BLUE
8	VIOLET
9	GREY
10	WHITE

WIRE COLOURS REPEAT IN ABOVE ORDER FOR
CONNECTOR ASSEMBLIES OVER 10 CONTACTS.

- NOTES:
1. CABLE ASSEMBLIES WILL BE PACKED IN BAGS.
2. FOR COMPLETE SPECIFICATION, SEE COMPONENT SPECIFICATION
C005XX AND C049XX (LATEST ISSUES).

DIMENSION	MEASUREMENT
DIM 'A'	TOTAL No. OF CONTACTS - 2.00
DIM 'B'	TOTAL No. OF CONTACTS + 2.00
DIM 'C'	(TOTAL No. OF CONTACTS / 2) + 3.15 MAX

EXAMPLE PART No.:
6 CONTACT CONNECTOR WITH 450mm OF 30AWG WIRE =
M80-FC50668L0-0450L
26 CONTACT CONNECTOR WITH 150mm OF 26AWG WIRE =
M80-FC32668L0-0150L

ORDER CODE: M80-FCXXX68L0-XXXXL

- WIRE GAUGE: _____
- 1 = 22AWG (LARGE BORE)
 - 2 = 24AWG (SMALL BORE)
 - 3 = 26AWG (SMALL BORE)
 - 4 = 28AWG (SMALL BORE)
 - 5 = 30AWG (EXTRA SMALL BORE)

DIM 'D' LENGTH: _____

- 0060 = 60mm MIN
- 9999 = 9999mm MAX

(SEE TABLE FOR EXAMPLES)

TOTAL No. OF CONTACTS: _____

04, 06, 08, 10, 12, 14,
16, 18, 20, 26, 34

RTP	3	22.03.21	30101
NAME	ISS.	DATE	CN/CO
APPROVED: R.PORTLOCK			
CHECKED: R.ALEXANDER			
DRAWN: F.MCGOWAN			
CUSTOMER REF.:			
ASSEMBLY DRG:			

HARWIN

www.harwin.com
technical@harwin.com

THIS DRAWING AND ANY
INFORMATION OR DESCRIPTIVE
MATTER SET OUT HEREON ARE
CONFIDENTIAL AND COPYRIGHT
PROPERTY OF THE HARWIN
GROUP AND MUST NOT BE
DISCLOSED, LOANED, COPIED
OR USED FOR MANUFACTURING,
TENDERING OR FOR ANY
OTHER PURPOSE WITHOUT
THEIR WRITTEN PERMISSION.

TOLERANCES
X. = ±1mm
X.X = ±0.50mm
X.XX = ±0.20mm
X.XXX = ±0.01mm
ANGLES = ±5°
UNLESS STATED

MATERIAL:
SEE ABOVE
FINISH: SEE ABOVE
S/AREA: mm²

TITLE:
DATAMATE L-TEK FEMALE
SINGLE-ENDED CABLE ASSEMBLY

DRAWING NUMBER:
M80-FCXXX68L0-XXXXL

SHT
2 OF 2

X-ON Electronics

Largest Supplier of Electrical and Electronic Components

Click to view similar products for [Rectangular Cable Assemblies](#) category:

Click to view products by [Harwin](#) manufacturer:

Other Similar products are found below :

[MC320E-N-23](#) [G125FC10668L0-0300L](#) [G125FC10668L0-0150L](#) [G125-FC11068L0-0150L](#) [G125-FC11068L0-0300L](#) [HQCD-090-05.00-](#)
[TTR-TTR-1-B](#) [M80-FC23468FC-0150L](#) [215322-2032](#) [215323-2052](#) [215323-1032](#) [215323-2031](#) [SFSDT-35-28-H-24.00-SR](#) [SFSDT-30-28-](#)
[H-24.00-SR](#) [SFSDT-50-28-H-24.00-SR](#) [S1SS-05-28-GF-10.00-S](#) [SMSD-05-24-L-06.00-D-K-KDX](#) [ERCDCD-030-11.81-TEU-TED-1-D](#)
[CABLE-PH10](#) [CABLE-EH04](#) [vrw-05-20-50-01g-000-e090](#) [MP-2J1-025-PS1-005M](#) [CABLE-PH04](#) [27ZRO-B-1A](#) [M300-FC11005F2-0450L](#)
[M300-FC21005F2-0450L](#) [M80-FC305F1-04-0300F1](#) [45130-0401](#) [45130-0210](#) [45130-0410](#) [45111-0402](#) [45111-0603](#) [15134-0302](#) [15134-](#)
[0401](#) [15134-0803](#) [15134-0801](#) [45111-0403](#) [15132-0403](#) [15131-0403](#) [15134-1003](#) [15134-1000](#) [45135-0603](#) [45135-0401](#) [45132-0610](#) [15134-](#)
[1002](#) [45135-0610](#) [45132-0403](#) [15134-1203](#) [15135-0806](#) [15134-0300](#) [15134-1202](#)