

# Customer Information Sheet

DRAWING No.: M80-FCXXXFI-XX-XXXXFI

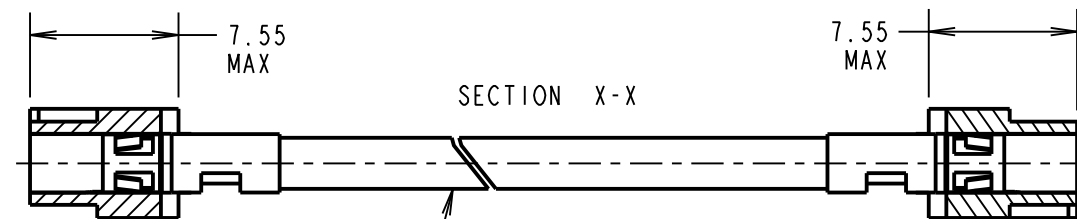
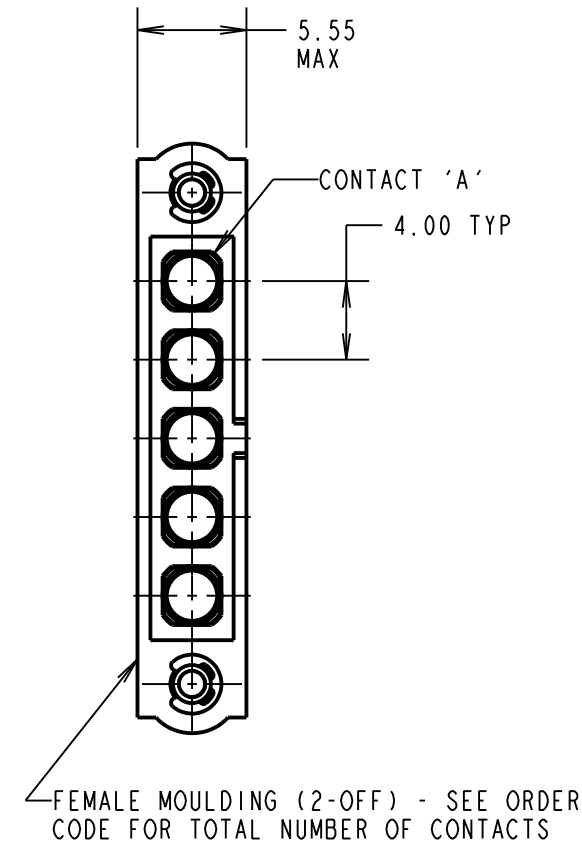
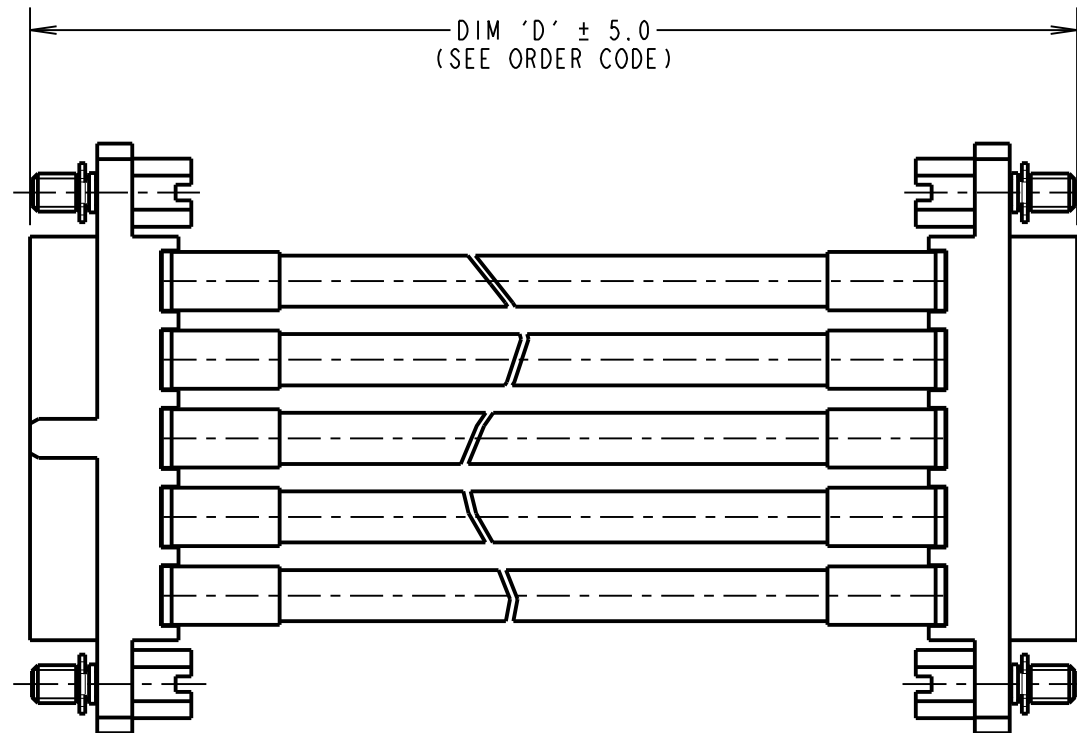
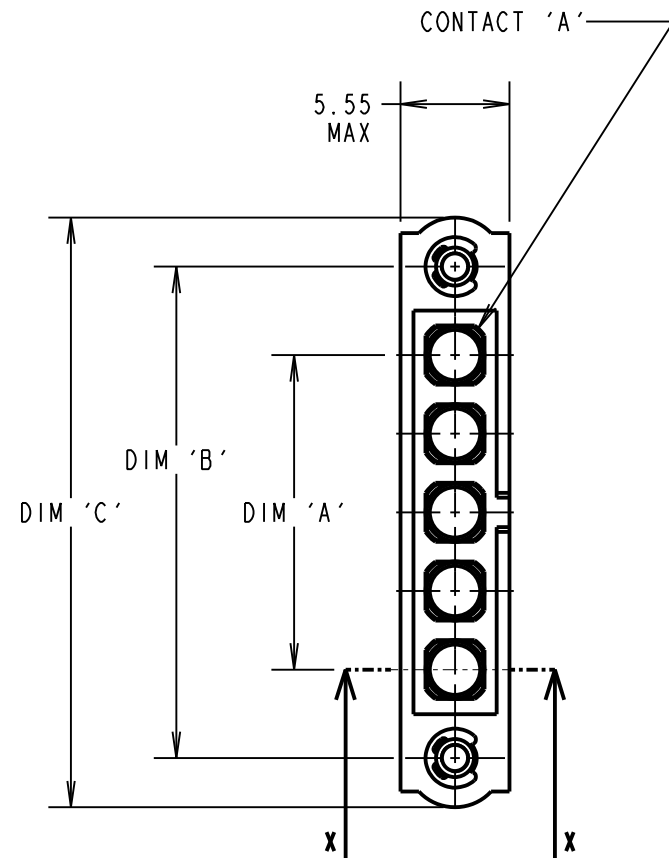
IF IN DOUBT - ASK

©

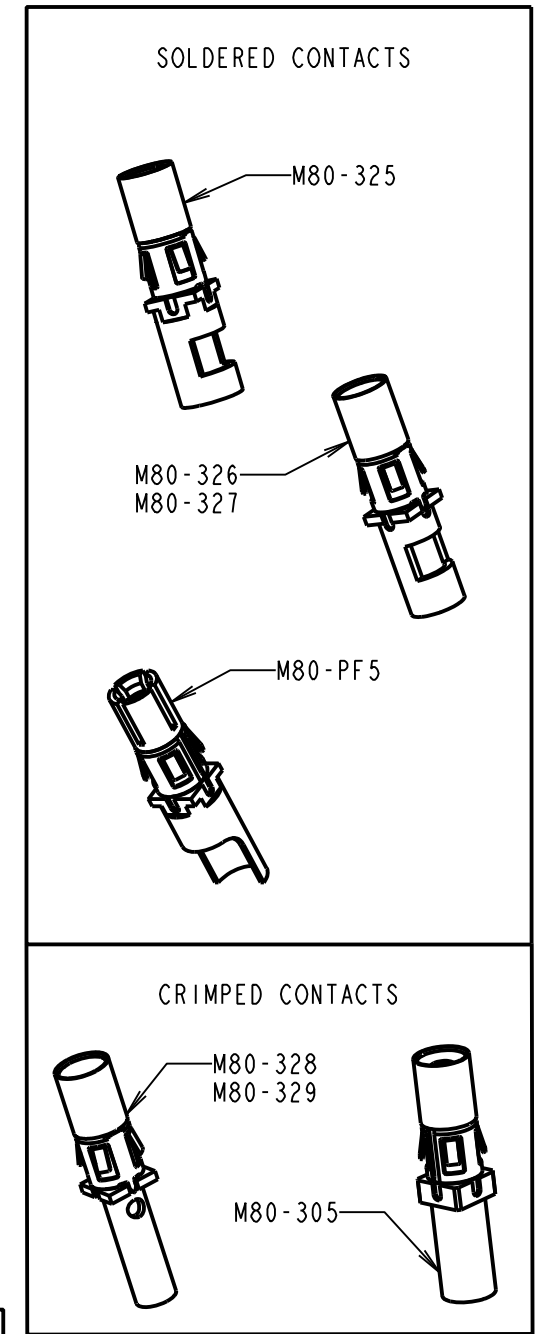
NOT TO SCALE

THIRD ANGLE PROJECTION

ALL DIMENSIONS IN mm



WHITE PTFE WIRE  
(SEE ORDER CODE FOR GAUGES)  
M80-305 WIRE IS A NATURAL TAN



**NOTES:**

- CABLE ASSEMBLIES ARE PACKED IN BAGS OF 10.
- FOR COMPLETE SPECIFICATION, SEE COMPONENT SPECIFICATION C005XX AND C049XX (LATEST ISSUES).
- WIRING OF CONNECTOR:  
CONTACT A TO CONTACT A,  
CONTACT B TO CONTACT B, ETC.

DIMENSION	MEASUREMENT
DIM 'A'	(4 x No. OF CONTACTS) - 4.00
DIM 'B'	(4 x No. OF CONTACTS) + 5.00
DIM 'C'	(4 x No. OF CONTACTS) + 10.0

**EXAMPLE PART No.**

2 x 4 CONTACT CONNECTOR WITH 450mm OF 16AWG WIRE =  
M80-FC327F1-04-0450F1  
2 x 10 CONTACT CONNECTOR WITH 150mm OF 12AWG WIRE =  
M80-FC325F1-10-0150F1

**ORDER CODE: M80-FCXXXFI-XX-XXXXFI**

**POWER CONTACT:**

- 305 = COAX CONTACT CRIMP RG178 M80-305
- 325 = POWER CONTACT SOLDER 12AWG M80-325
- 326 = POWER CONTACT SOLDER 14AWG M80-326
- 327 = POWER CONTACT SOLDER 16AWG M80-327
- 328 = POWER CONTACT CRIMP 18AWG M80-328
- 329 = POWER CONTACT CRIMP 20AWG M80-329
- PF5 = POWER CONTACT SOLDER 10AWG M80-PF5

TOTAL No. OF CONTACTS: \_\_\_\_\_  
02 TO 12

**DIM 'D' LENGTH:**

- 0060 = 60mm MIN
- 9999 = 9999mm MAX
- (SEE TABLE FOR EXAMPLES)

**STOCKED CABLE LENGTHS:**

- 0150 = 150mm
- 0300 = 300mm
- 0450 = 450mm

RTP	3	30.04.19	21914
NAME	ISS.	DATE	C/NOTE
APPROVED: R.PORTLOCK			
CHECKED: S.BENNETT			
DRAWN: F.MCGOWAN			
CUSTOMER REF.:			
ASSEMBLY DRG:			

**HARWIN**

www.harwin.com  
technical@harwin.com

THIS DRAWING AND ANY INFORMATION OR DESCRIPTIVE MATTER SET OUT HEREON ARE CONFIDENTIAL AND COPYRIGHT PROPERTY OF THE HARWIN GROUP AND MUST NOT BE DISCLOSED, LOANED, COPIED OR USED FOR MANUFACTURING, TENDERING OR FOR ANY OTHER PURPOSE WITHOUT THEIR WRITTEN PERMISSION.

**TOLERANCES**  
X. = ±1mm  
X.X = ±0.50mm  
X.XX = ±0.20mm  
X.XXX = ±0.01mm  
ANGLES = ±5°  
UNLESS STATED

**MATERIAL:**  
SEE ABOVE  
**FINISH:** SEE ABOVE  
**S/AREA:** mm<sup>2</sup>

**TITLE:** DATAMATE POWER FEMALE-TO-FEMALE CABLE ASSEMBLY WITH JACKSCREW

**DRAWING NUMBER:** M80-FCXXXFI-XX-XXXXFI

SHT  
2 OF 2

## X-ON Electronics

Largest Supplier of Electrical and Electronic Components

*Click to view similar products for [Rectangular Cable Assemblies](#) category:*

*Click to view products by [Harwin](#) manufacturer:*

Other Similar products are found below :

[MC320E-N-23](#) [A08KR08KR26E203B](#) [G125FC10668L0-0300L](#) [G125FC10668L0-0150L](#) [G125-FC11068L0-0300L](#) [ASSHSSH28K102](#)  
[AGHGH28K203](#) [AGHGH28K254](#) [ASSHSSH28K203](#) [ASBHSBH22K203](#) [ASBHSBH22K102](#) [ASBHSBH22K254](#) [ALEALEA22K51](#)  
[ALEBLEB22K102](#) [ALEALEA22K102](#) [ASZESZE26K102](#) [ALEALEA22K152](#) [ASSFSSF22K51](#) [ASSMSSM22K51](#) [ALEALEA22K254](#)  
[ALEBLEB22K152](#) [ASSMSSF22K102](#) [ASSMSSM22K102](#) [ALEALEA22K305](#) [ALEBLEB22K305](#) [ASSFSSF22K152](#) [ASSMSSF22K152](#)  
[ASSMSSM22K152](#) [ASSFSSF22K203](#) [ASSMSSF22K203](#) [ASSMSSM22K203](#) [ASSFSSF22K254](#) [ASSMSSF22K254](#) [ASSMSSM22K254](#)  
[ASSFSSF22K305](#) [ASSMSSF22K305](#) [ASSMSSM22K305](#) [ASZESZE26K254](#) [A06XAF06XAF22K254B](#) [A10XAF10XAF22K152B](#)  
[A12KR12KR26E305A](#) [A12KR12KR26E305B](#) [A12ZR12ZR28H203A](#) [A11SR11SR30K203A](#) [A09SR09SR30K305A](#) [A14KR14KR26E254B](#)  
[A09ZR09ZR28H305A](#) [A09ZR09ZR28H305B](#) [A15KR15KR26E254B](#) [A13KR13KR26E305B](#)