

Customer Information Sheet

DRAWING No.: M80-FDXXX68L0-XXXXL

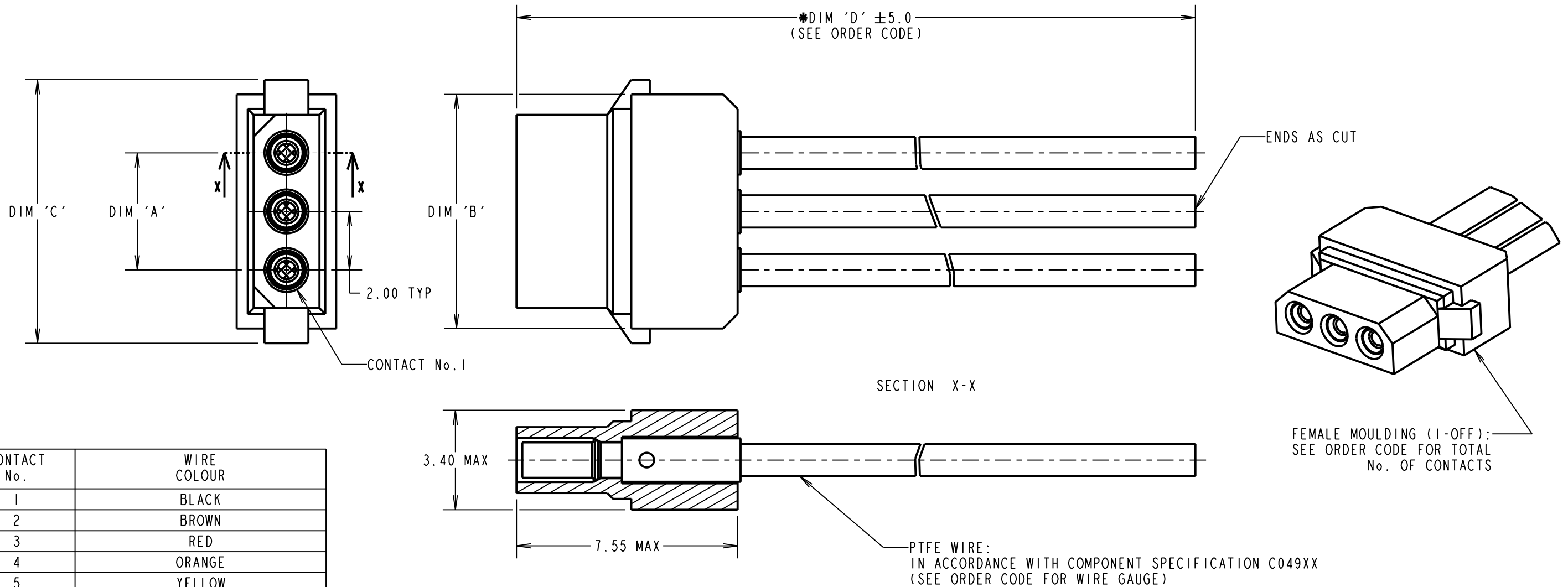
IF IN DOUBT - ASK

©

NOT TO SCALE

THIRD ANGLE PROJECTION

ALL DIMENSIONS IN mm



- NOTES:
- CABLE ASSEMBLIES WILL BE BULK PACKED IN BAGS.
 - FOR COMPLETE SPECIFICATION, SEE COMPONENT SPECIFICATION C005XX AND C049XX (LATEST ISSUES).

ORDER CODE:
M80-FDXXX68L0-XXXXL

WIRE AWG: _____

1 = 22AWG (LARGE BORE)
2 = 24AWG (SMALL BORE)
3 = 26AWG (SMALL BORE)
4 = 28AWG (SMALL BORE)

DIM 'D' LENGTH: _____

0060 = 60mm MIN
9999 = 9999mm MAX
(SEE TABLE FOR EXAMPLES)

TOTAL No. OF CONTACTS: _____

02, 03, 04, 05, 06, 07, 17.

HARWIN

www.harwin.com
technical@harwin.com

THIS DRAWING AND ANY INFORMATION OR DESCRIPTIVE MATTER SET OUT HEREON ARE CONFIDENTIAL AND COPYRIGHT PROPERTY OF THE HARWIN GROUP AND MUST NOT BE DISCLOSED, LOANED, COPIED OR USED FOR MANUFACTURING, TENDERING OR FOR ANY OTHER PURPOSE WITHOUT THEIR WRITTEN PERMISSION.

TOLERANCES
X. = ±1mm
X.X = ±0.50mm
X.XX = ±0.20mm
X.XXX = ±0.01mm
ANGLES = ±5°
UNLESS STATED

MATERIAL: SEE ABOVE

FINISH: SEE ABOVE

S/AREA: mm²

TITLE: DATAMATE L-TEK FEMALE SINGLE-ENDED CABLE ASSEMBLY (SIL)

DRAWING NUMBER: M80-FDXXX68L0-XXXXL

SHT 2 OF 2

X-ON Electronics

Largest Supplier of Electrical and Electronic Components

Click to view similar products for [Rectangular Cable Assemblies](#) category:

Click to view products by [Harwin](#) manufacturer:

Other Similar products are found below :

[MC320E-N-23](#) [G125FC10668L0-0300L](#) [G125FC10668L0-0150L](#) [G125-FC11068L0-0150L](#) [G125-FC11068L0-0300L](#) [HQCD-090-05.00-](#)
[TTR-TTR-1-B](#) [M80-FC23468FC-0150L](#) [215322-2032](#) [215323-2052](#) [215323-1032](#) [215323-2031](#) [SFSDT-35-28-H-24.00-SR](#) [SFSDT-30-28-](#)
[H-24.00-SR](#) [SFSDT-50-28-H-24.00-SR](#) [S1SS-05-28-GF-10.00-S](#) [SMSD-05-24-L-06.00-D-K-KDX](#) [ERCDCD-030-11.81-TEU-TED-1-D](#)
[CABLE-PH10](#) [CABLE-EH04](#) [vrw-05-20-50-01g-000-e090](#) [MP-2J1-025-PS1-005M](#) [CABLE-PH04](#) [27ZRO-B-1A](#) [M300-FC11005F2-0450L](#)
[M300-FC21005F2-0450L](#) [M80-FC305F1-04-0300F1](#) [45130-0401](#) [45130-0210](#) [45130-0410](#) [45111-0402](#) [45111-0603](#) [15134-0302](#) [15134-](#)
[0401](#) [15134-0803](#) [15134-0801](#) [45111-0403](#) [15132-0403](#) [15131-0403](#) [15134-1003](#) [15134-1000](#) [45135-0603](#) [45135-0401](#) [45132-0610](#) [15134-](#)
[1002](#) [45135-0610](#) [45132-0403](#) [15134-1203](#) [15135-0806](#) [15134-0300](#) [15134-1202](#)