

# Customer Information Sheet

DRAWING No.: M80-FXXXX68F2-XXXXL

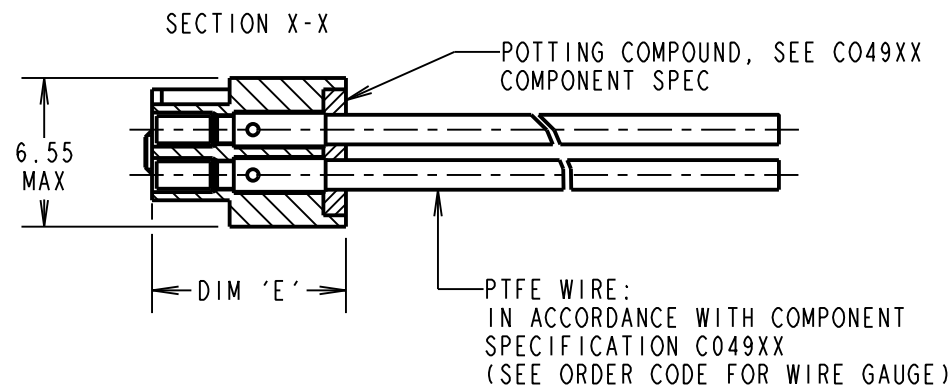
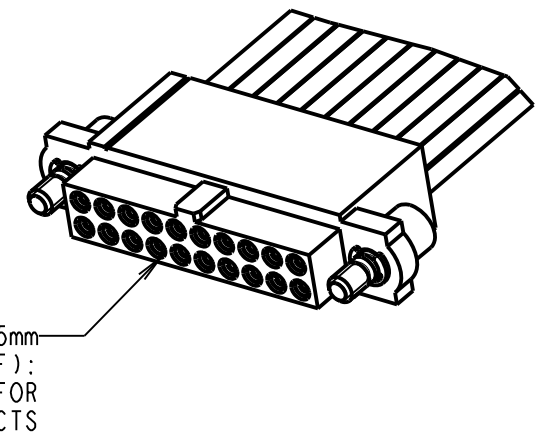
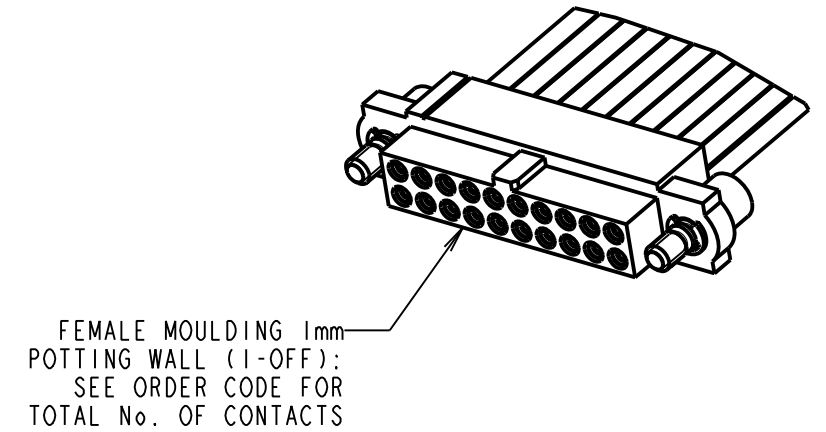
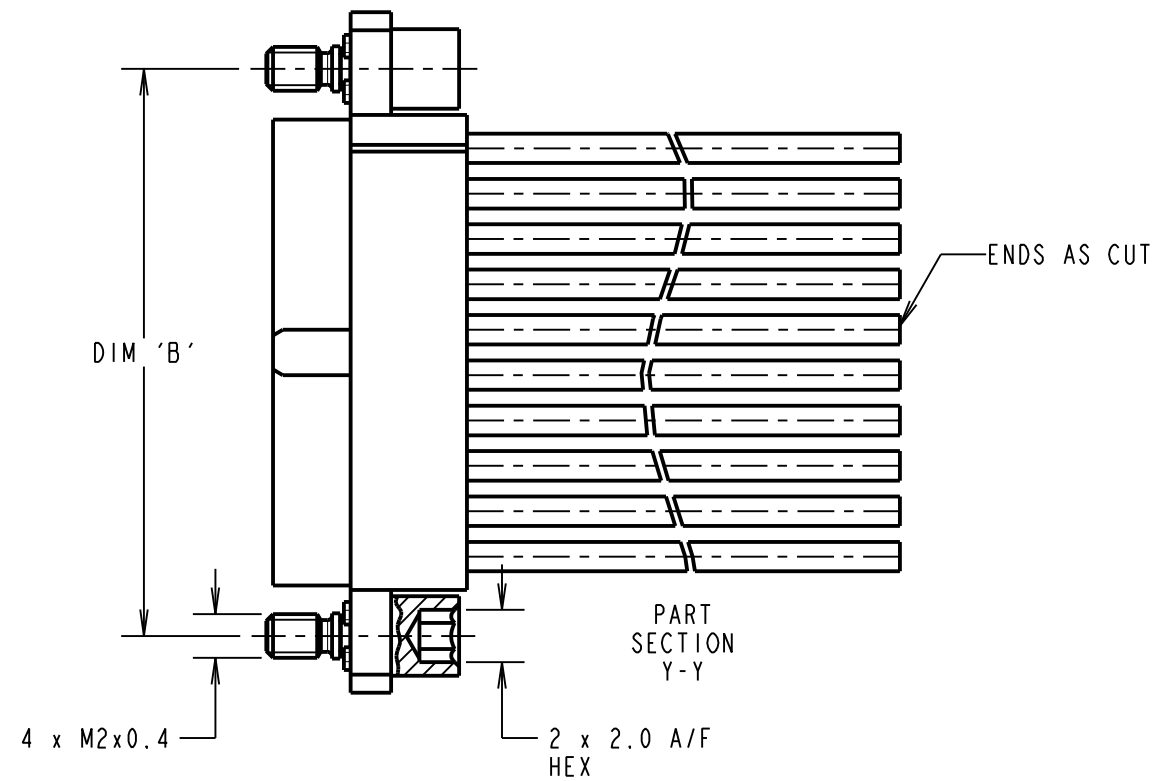
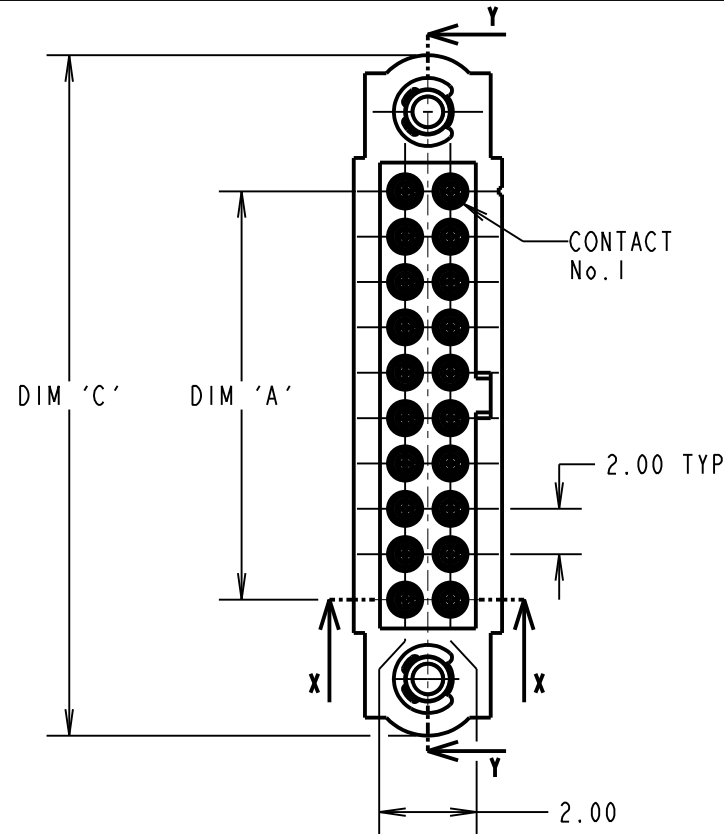
IF IN DOUBT - ASK

©

NOT TO SCALE

THIRD ANGLE PROJECTION

ALL DIMENSIONS IN mm



CONTACT No.	WIRE COLOUR
1	BLACK
2	BROWN
3	RED
4	ORANGE
5	YELLOW
6	GREEN
7	BLUE
8	VIOLET
9	GREY
10	WHITE

WIRE COLOURS REPEAT IN ABOVE ORDER FOR ASSEMBLIES OVER 10 CONTACTS

DIMENSION	MEASUREMENT
DIM 'A'	TOTAL No. OF CONTACTS - 2.0
DIM 'B'	TOTAL No. OF CONTACTS + 5.0
DIM 'C'	TOTAL No. OF CONTACTS + 10.0
DIM 'E'	M80-FXXXX68F2-XXXXL (5mm WALL) = 12.60±0.10 M80-FXXXX68F2-XXXXL (1mm WALL) = 8.575±0.025

EXAMPLE PART No.:

10 CONTACT CONNECTOR WITH 150mm OF 22AWG WIRE AND 1mm POTTING WALL = M80-FF11068F2-0150L

50 CONTACT CONNECTOR WITH 450mm OF 24AWG WIRE AND 5mm POTTING WALL = M80-FE25068F2-0450L

## ORDER CODE:

**M80-FXXXX68F2-XXXXL**

POTTING WALL:  
E = 5mm  
F = 1mm

WIRE AWG:  
1 = 22AWG (LARGE BORE)  
2 = 24AWG (SMALL BORE)  
3 = 26AWG (SMALL BORE)  
4 = 28AWG (SMALL BORE)

TOTAL No. OF CONTACTS:  
06, 10, 12, 14, 18, 20,  
26, 34, 42, 50.

DIM 'D' LENGTH:  
0060 = 60mm MIN  
9999 = 9999mm MAX  
(SEE TABLE FOR EXAMPLES)

RTP	2	31.03.20	30101
NAME	ISS.	DATE	CN/CO
APPROVED:		R.PORTLOCK	
CHECKED:		M.PLESTED	
DRAWN:		R.ALEXANDER	
CUSTOMER REF.:			
ASSEMBLY DRG:			

### NOTES:

- CABLE ASSEMBLIES WILL BE BULK PACKED IN BAGS.
- FOR COMPLETE SPECIFICATION, SEE COMPONENT SPECIFICATION C005XX (LATEST ISSUE) AND C049XX (LATEST ISSUE).

# HARWIN

www.harwin.com  
technical@harwin.com

THIS DRAWING AND ANY INFORMATION OR DESCRIPTIVE MATTER SET OUT HEREON ARE CONFIDENTIAL AND COPYRIGHT PROPERTY OF THE HARWIN GROUP AND MUST NOT BE DISCLOSED, LOANED, COPIED OR USED FOR MANUFACTURING, TENDERING OR FOR ANY OTHER PURPOSE WITHOUT THEIR WRITTEN PERMISSION.

TOLERANCES  
X. = ±1mm  
X.X = ±0.50mm  
X.XX = ±0.20mm  
X.XXX = ±0.01mm  
ANGLES = ±5°  
UNLESS STATED

MATERIAL:  
SEE ABOVE

FINISH: SEE ABOVE

S/AREA: mm<sup>2</sup>

TITLE: M80 FEMALE POTTING WALL SINGLE-ENDED CABLE ASSEMBLY WITH JACKSCREWS

DRAWING NUMBER:

**M80-FXXXX68F2-XXXXL**

SHT  
2  
OF  
2

## X-ON Electronics

Largest Supplier of Electrical and Electronic Components

*Click to view similar products for [Rectangular Cable Assemblies](#) category:*

*Click to view products by [Harwin](#) manufacturer:*

Other Similar products are found below :

[MC320E-N-23](#) [G125FC10668L0-0300L](#) [G125FC10668L0-0150L](#) [G125-FC11068L0-0150L](#) [G125-FC11068L0-0300L](#) [HQCD-090-05.00-](#)  
[TTR-TTR-1-B](#) [M80-FC23468FC-0150L](#) [215322-2032](#) [215323-2052](#) [215323-1032](#) [215323-2031](#) [SFSDT-35-28-H-24.00-SR](#) [SFSDT-30-28-](#)  
[H-24.00-SR](#) [SFSDT-50-28-H-24.00-SR](#) [S1SS-05-28-GF-10.00-S](#) [SMSD-05-24-L-06.00-D-K-KDX](#) [ERCDCD-030-11.81-TEU-TED-1-D](#)  
[CABLE-PH10](#) [CABLE-EH04](#) [vrw-05-20-50-01g-000-e090](#) [MP-2J1-025-PS1-005M](#) [CABLE-PH04](#) [27ZRO-B-1A](#) [M300-FC11005F2-0450L](#)  
[M300-FC21005F2-0450L](#) [M80-FC305F1-04-0300F1](#) [45130-0401](#) [45130-0210](#) [45130-0410](#) [45111-0402](#) [45111-0603](#) [15134-0302](#) [15134-](#)  
[0401](#) [15134-0803](#) [15134-0801](#) [45111-0403](#) [15132-0403](#) [15131-0403](#) [15134-1003](#) [15134-1000](#) [45135-0603](#) [45135-0401](#) [45132-0610](#) [15134-](#)  
[1002](#) [45135-0610](#) [45132-0403](#) [15134-1203](#) [15135-0806](#) [15134-0300](#) [15134-1202](#)