

Customer Information Sheet

DRAWING No.: M80-PF5

IF IN DOUBT - ASK

(C)

NOT TO SCALE

THIRD ANGLE PROJECTION

ALL DIMENSIONS IN mm

SPECIFICATIONS:

MATERIALS:

BODY = COPPER ALLOY

LATCHING COLLAR = BERYLLIUM COPPER

FINISH:

BODY = 0.76µ MIN GOLD OVER NICKEL

LATCHING COLLAR = NICKEL

ELECTRICAL:

CONTACT RESISTANCE = 6mΩ MAX

CURRENT RATING = 40A (CABLE DEPENDENT)

MECHANICAL:

DURABILITY = 500 OPERATIONS

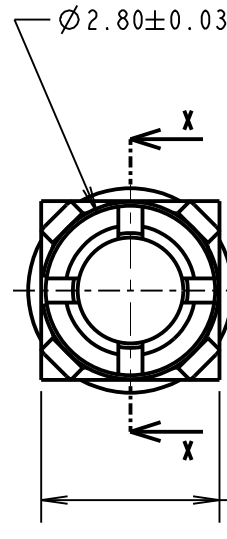
INSERTION FORCE = 15N MAX

WITHDRAWAL FORCE = 0.5N MIN

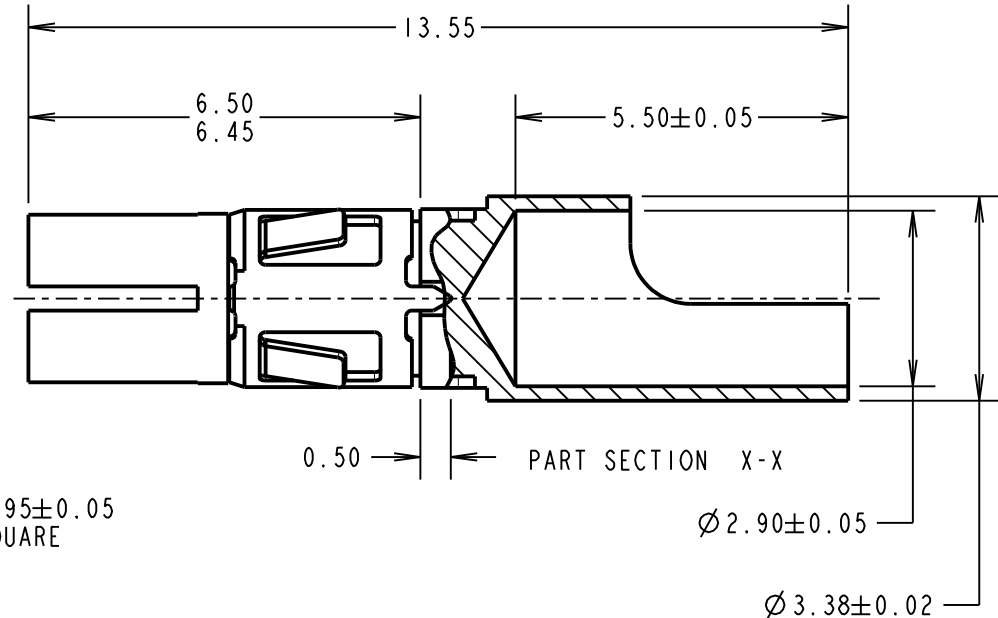
CONTACT REPLACEMENT IN INSULATOR = 5 TIMES

ENVIRONMENTAL:

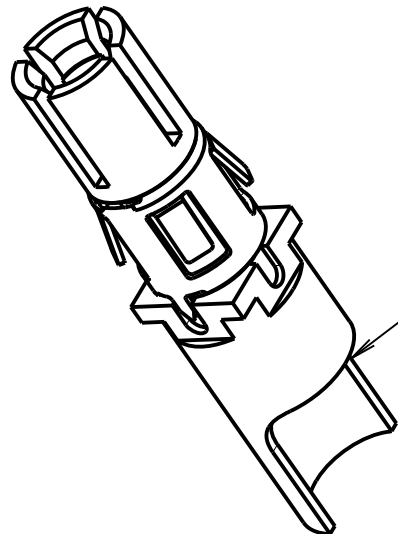
TEMPERATURE RANGE = -55°C TO +150°C



2.95±0.05
SQUARE



PART SECTION X-X



SOLDER CUP

NOTES:

1. STRIP WIRE BY 5.0mm.
2. CONTACT EXTRACTION TOOL = Z80-290.
3. FOR ALL OTHER ELECTRICAL/MECHANICAL REQUIREMENTS, SEE COMPONENT SPECIFICATION C005XX (LATEST ISSUE).
4. MAX WIRE CONDUCTOR SIZE = Ø2.9mm / 10 AWG (37/0.26).
MAX WIRE INSULATION DIAMETER 3.8mm.

MSP	2	21.06.17	20598
NAME	ISS.	DATE	C/NOTE
APPROVED:		M.PERREN	
CHECKED:		S.BENNETT	
DRAWN:		MARK G PLESTED	
CUSTOMER REF.:			
ASSEMBLY DRG:			

HARWIN

www.harwin.com
technical@harwin.com

THIS DRAWING AND ANY INFORMATION OR DESCRIPTIVE MATTER SET OUT HEREON ARE CONFIDENTIAL AND COPYRIGHT PROPERTY OF THE HARWIN GROUP AND MUST NOT BE DISCLOSED, LOANED, COPIED OR USED FOR MANUFACTURING, TENDERING OR FOR ANY OTHER PURPOSE WITHOUT THEIR WRITTEN PERMISSION.

TOLERANCES

X. = ±1mm
X.X = ±0.50mm
X.XX = ±0.10mm
X.XXX = ±0.01mm

ANGLES = ±5°
UNLESS STATED

MATERIAL:

SEE ABOVE

FINISH:

SEE ABOVE

S/AREA:

mm²

TITLE:

DATAMATE MIX-TEK
HIGH POWER CONTACT
FEMALE STRAIGHT SOLDER

DRAWING NUMBER:

M80-PF5

SHT

2 OF 2

X-ON Electronics

Largest Supplier of Electrical and Electronic Components

Click to view similar products for [Power to the Board](#) category:

Click to view products by [Harwin](#) manufacturer:

Other Similar products are found below :

[6450171-4](#) [6450552-7](#) [6600323-8](#) [6643429-1](#) [6646040-2](#) [6651939-1](#) [6766604-1](#) [120959-1](#) [1393557-2](#) [1393532-2](#) [1393532-3](#) [1393532-4](#)
[1393557-1](#) [1600812-5](#) [1-6450861-2](#) [1744132-7](#) [1761122-1](#) [1766250-1](#) [1892109-1](#) [2-6450860-5](#) [2-6450870-0](#) [1-6450161-4](#) [1-6450850-6](#) [1-](#)
[6450869-6](#) [1645526-2](#) [1-6600130-0](#) [2005243-2](#) [TE34-12-16P-F0](#) [5-6450830-6](#) [5646956-4](#) [4-6450830-9](#) [4-6600333-3](#) [10125416-4050LF](#)
[6600320-3](#) [3-6450860-5](#) [1888123-2](#) [6450166-1](#) [6643978-1](#) [6766605-1](#) [N11444](#) [6651938-1](#) [6450810-7](#) [46437-1112](#) [1-1589677-8](#) [5646956-5](#)
[6450813-2](#) [6450129-4](#) [1645523-1](#) [PSS-06-01-T-S](#) [0465621864](#)