

Customer Information Sheet

DRAWING No.: M90-601XX45

SHEET 2 OF 2

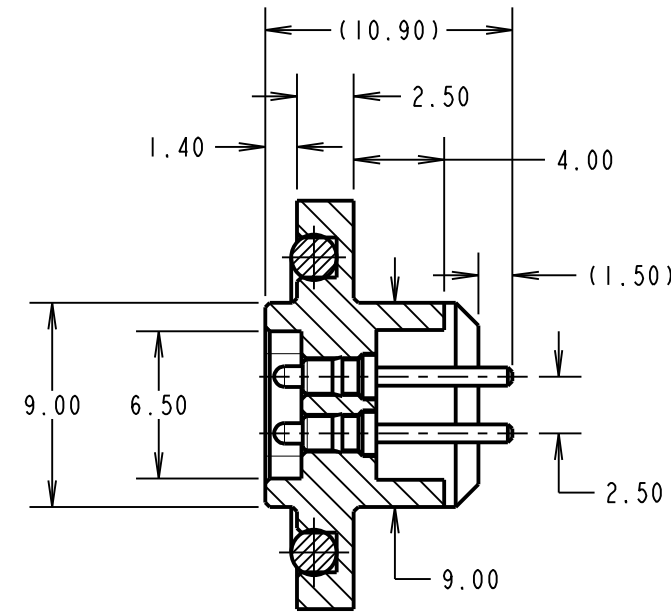
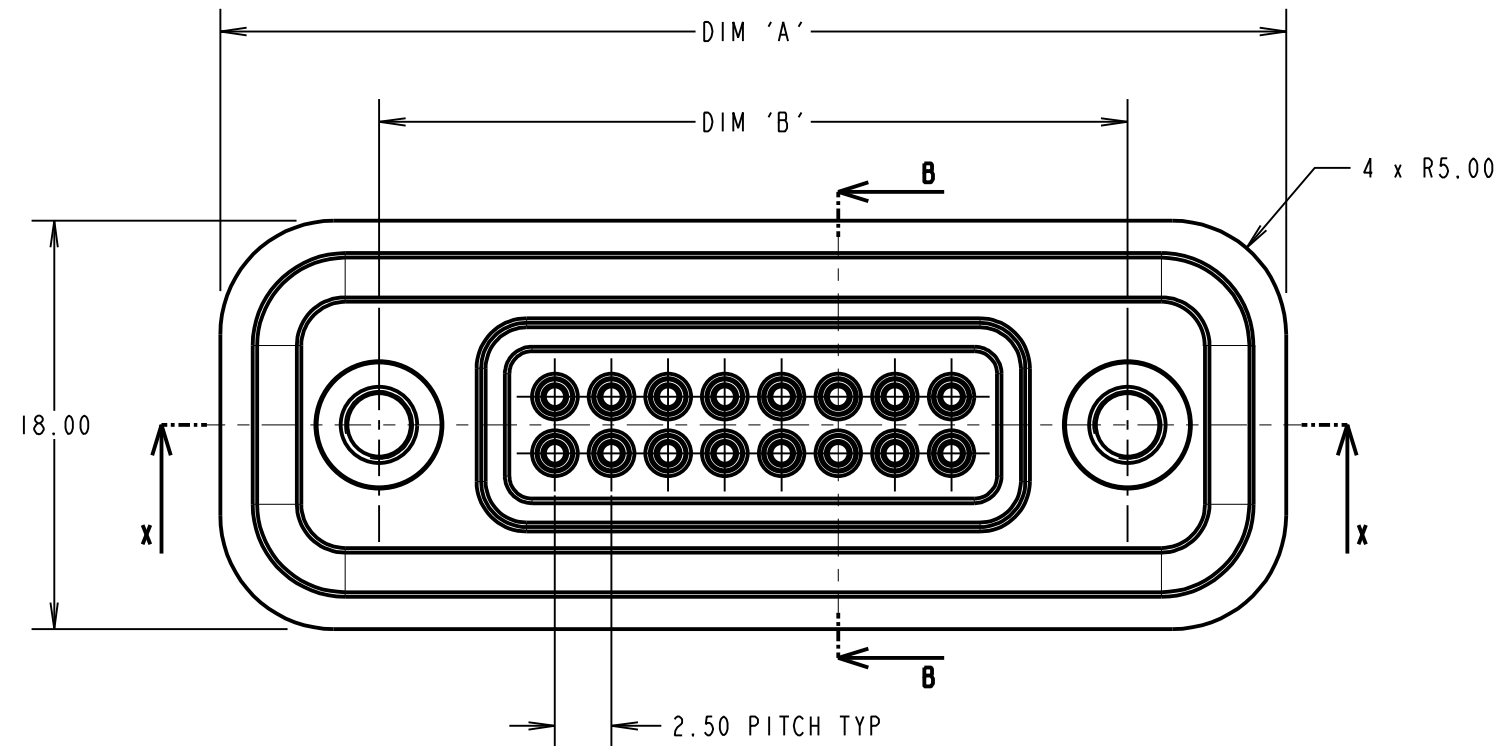
IF IN DOUBT - ASK

©

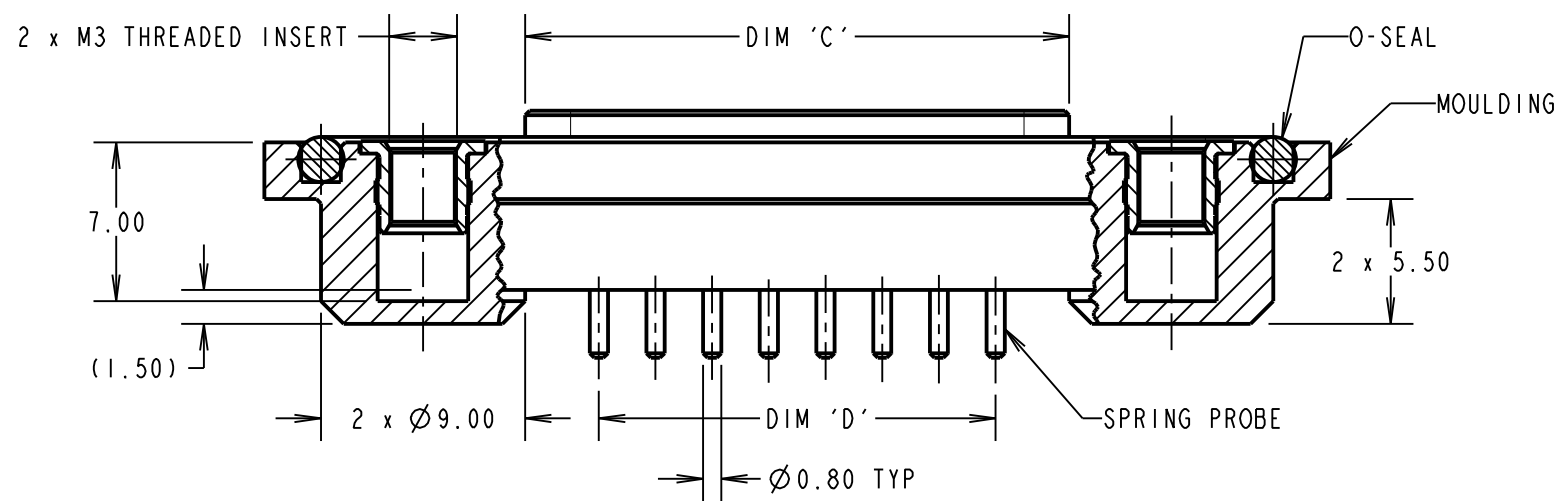
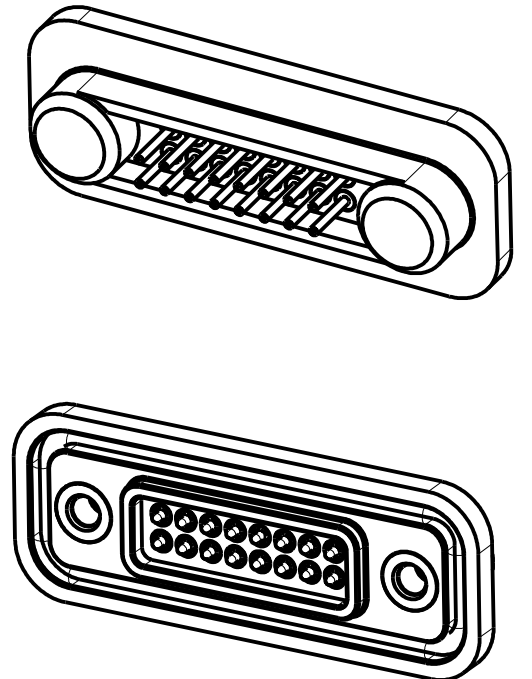
NOT TO SCALE

THIRD ANGLE PROJECTION

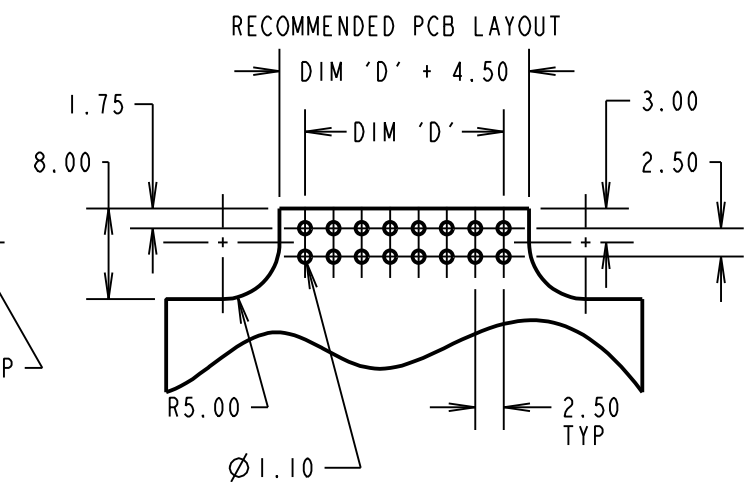
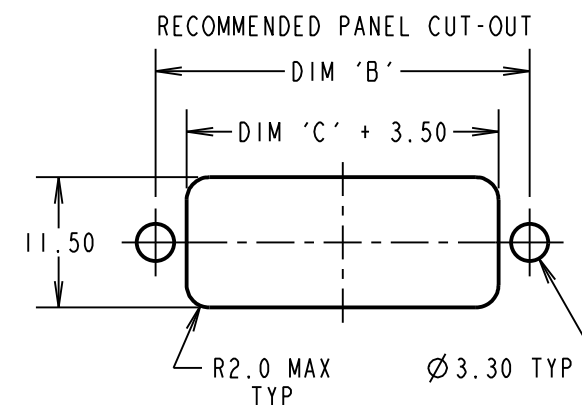
ALL DIMENSIONS IN mm



SECTION B-B



SECTION X-X



SPECIFICATION:

MATERIAL:
 O-SEAL: THERMOPLASTIC ELASTOMER, 35 SHORE A
 MOULDING: 30% GLASS FILLED POLYAMIDE 46
 OR NYLON 6T, UL94V-0, BLACK
 SPRING PROBE: BRASS
 THREADED INSERT: BRASS
FINISH:
 SPRING PROBE: GOLD
ELECTRICAL:
 CONTACT RATING: 1A
 WORKING VOLTAGE: 240V DC
 CONTACT RESISTANCE: 30 MILLIOHMS
 INSULATION RESISTANCE: 1000 MEGOHMS MIN AT 500V DC
ENVIRONMENTAL:
 OPERATING TEMPERATURE: -40°C - +100°C

NOTES:

1. DRAWING SHOWS 16-WAY CONNECTOR.
2. RECOMMENDED BULKHEAD MOUNTING THICKNESS: 1.50mm.
3. RECOMMENDED MOUNTING SCREWS: M3x6 CSK.
4. MAXIMUM TORQUE FOR M3 x 6mm CSK MOUNTING SCREWS = 80cNM WHEN CONNECTOR IS MOUNTED TO PANEL WITH DIAMETER 3.3 MAX FIXING HOLES.
5. WHEN FULLY MATED WITH FIXED CONNECTOR, MOUNTING FLANGES WILL HAVE A GAP OF 3.5mm ±0.1mm TO ALLOW FOR PANEL THICKNESS.

PART No.	No. OF WAYS	DIMENSION			
		A	B	C	D
M90-6010845	8 WAY	37.0	23.00	14.00	7.50
M90-6011245	12 WAY	42.0	28.00	19.00	12.50
M90-6011645	16 WAY	47.0	33.00	24.00	17.50

MSP	8	21.04.15	12843
NAME	ISS.	DATE	C/NOTE
APPROVED: M.PERREN			
CHECKED: M.G.PLESTED			
DRAWN: N. CODLING			
CUSTOMER REF.:			
ASSEMBLY DRG:			

HARWIN

www.harwin.com
 technical@harwin.com

THIS DRAWING AND ANY INFORMATION OR DESCRIPTIVE MATTER SET OUT HEREON ARE CONFIDENTIAL AND COPYRIGHT PROPERTY OF THE HARWIN GROUP AND MUST NOT BE DISCLOSED, LOANED, COPIED OR USED FOR MANUFACTURING, TENDERING OR FOR ANY OTHER PURPOSE WITHOUT THEIR WRITTEN PERMISSION.

TOLERANCES
 X. = ±1mm
 X.X = ±0.50mm
 X.XX = ±0.10mm
 X.XXX = ±0.01mm
 ANGLES = ±5°
 UNLESS STATED

MATERIAL:
 SEE SPECIFICATION
FINISH:
S/AREA: mm²

TITLE:
 SPRING PROBE ASSEMBLY

DRAWING NUMBER:
 M90-601XX45

SHT
 2 OF 2

X-ON Electronics

Largest Supplier of Electrical and Electronic Components

Click to view similar products for [Headers & Wire Housings](#) category:

Click to view products by [Harwin](#) manufacturer:

Other Similar products are found below :

[892-18-020-10-001101](#) [58102-G61-06LF](#) [582553-1](#) [0009485154](#) [009176003701906](#) [0050291907](#) [LY20-4P-DT1-P1E-BR](#) [02.125.8002.8](#)
[609-3404](#) [61062-3](#) [622-0430](#) [622-3653LF](#) [63453-116](#) [636-1030](#) [636-1427](#) [636-3427](#) [636-4007](#) [641938-9](#) [641991-4](#) [644827-2](#) [65817-010LF](#)
[65817-015LF](#) [65863-015LF](#) [66207-023LF](#) [67095-007LF](#) [67601157](#) [68648-049](#) [70.362.1628.0](#) [70-4210](#) [70-4226B](#) [70-4853B](#) [707-5020](#) [707-](#)
[5028](#) [71.350.2428.0](#) [71918-208LF](#) [71961-016LF](#) [733-134](#) [733-162](#) [754199-000](#) [760-3052](#) [787-8014-00](#) [79531-3000](#) [FCN-360C032-B](#) [FCN-](#)
[367T-T012/H](#) [FCN-723D010/2](#) [80.063.4001.1](#) [800-90-001-10-001000](#) [800-90-010-10-002000](#) [801-43-002-10-013000](#) [801-43-006-10-002000](#)