

# Customer Information Sheet

DRAWING No.: M90-606XX45

SHEET 2 OF 2

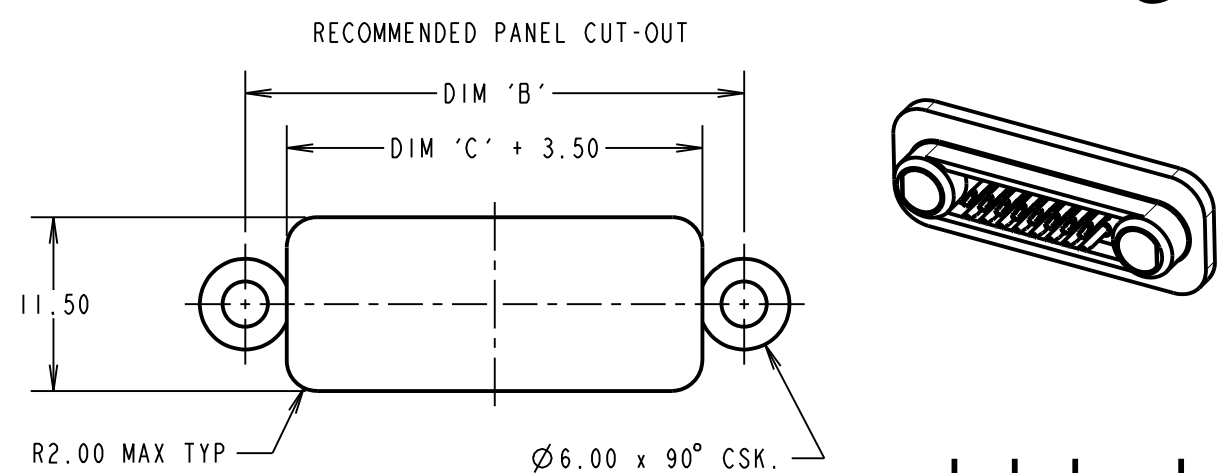
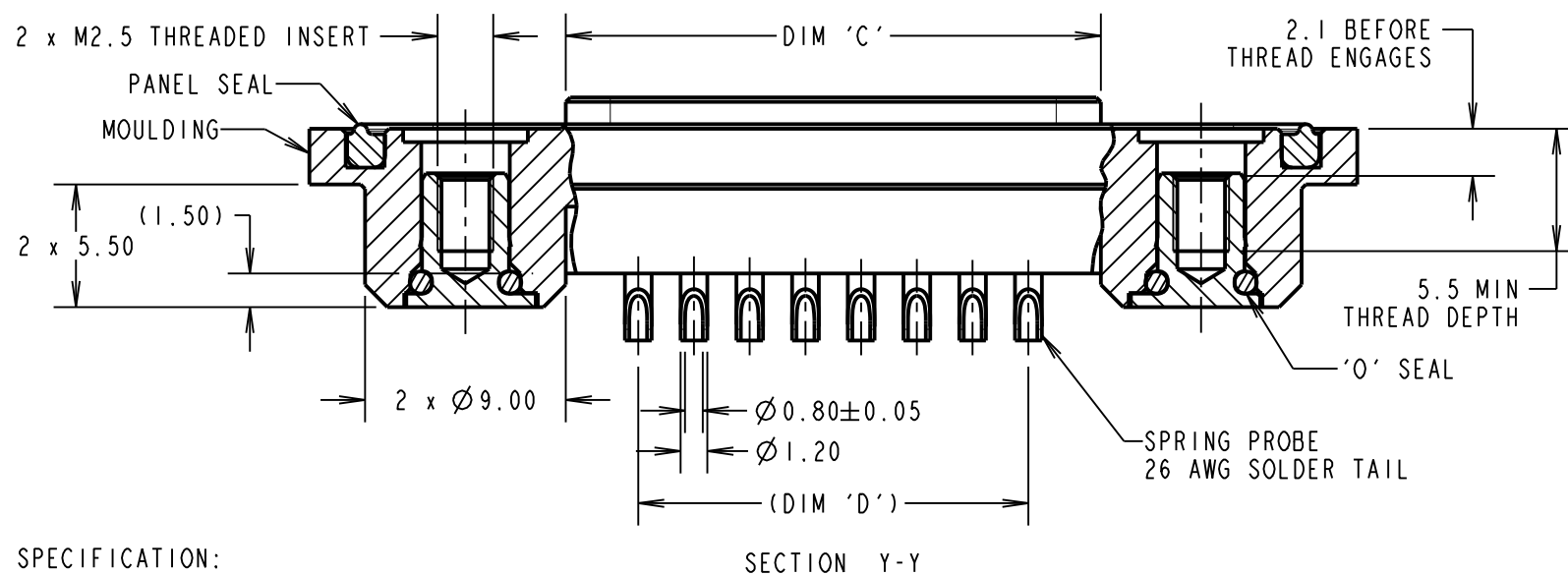
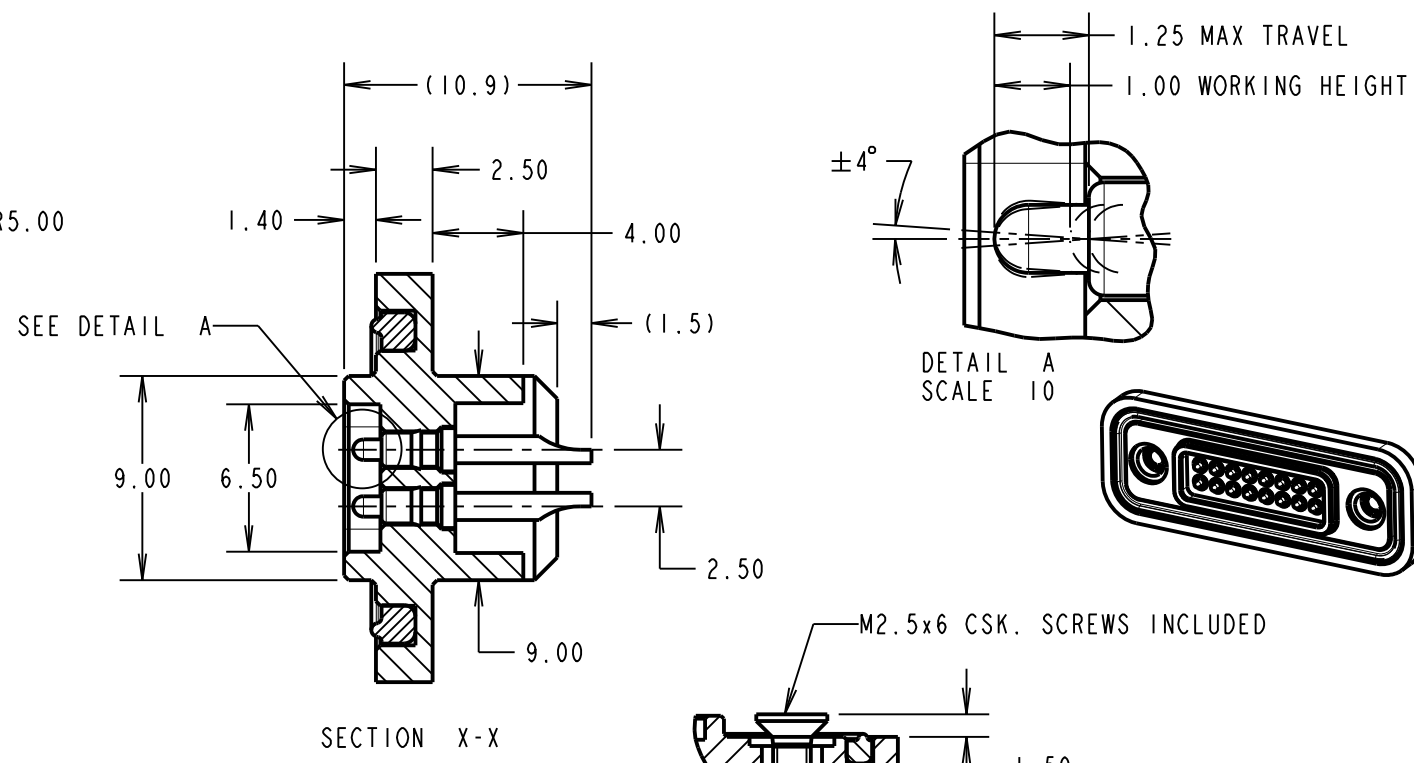
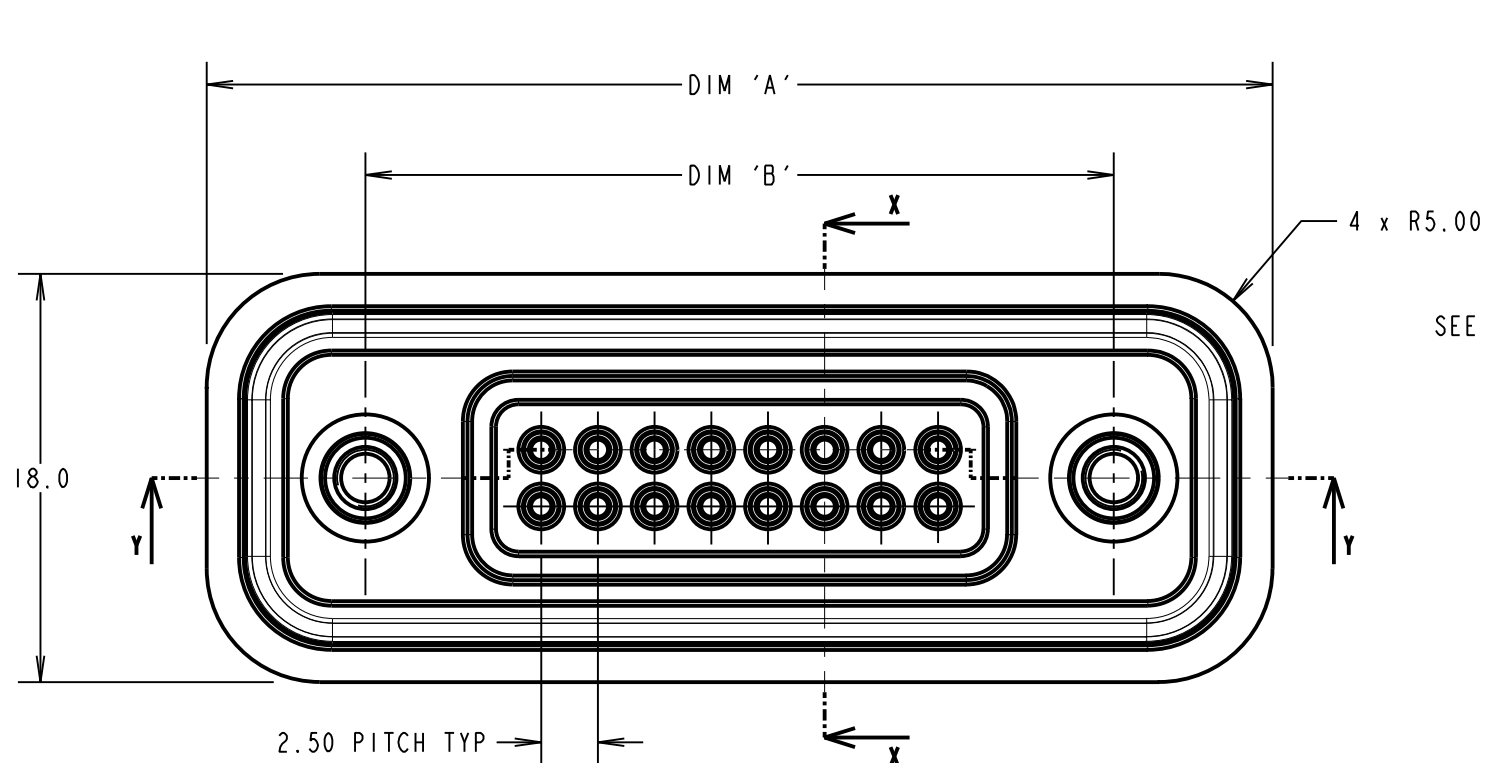
IF IN DOUBT - ASK

©

NOT TO SCALE

THIRD ANGLE PROJECTION

ALL DIMENSIONS IN mm



**SPECIFICATION:**

**MATERIAL:**  
 PANEL SEAL: BLACK NITRILE, 30 SHORE A  
 O-SEAL: NITRILE, 60/70 SHORE A  
 MOULDING: 30% GLASS FILLED POLYAMIDE 46  
**SPRING PROBE:**  
 BODY AND PISTON = BRASS  
 SPRING = STAINLESS STEEL  
 THREADED INSERT AND SCREW: STAINLESS STEEL  
**FINISH:**  
 SPRING PROBE: GOLD  
**ELECTRICAL:**  
 CURRENT RATING: 1A  
 WORKING VOLTAGE: 240V DC  
 CONTACT RESISTANCE: 30 MILLIOHMS MAX.  
 INSULATION RESISTANCE: 1000 MEGOHMS MIN AT 500V DC  
**ENVIRONMENTAL:**  
 OPERATING TEMPERATURE: -40°C - +100°C  
 ENVIRONMENTAL SEAL: IP68 AT 1.5M FOR 2 HOURS

**NOTES:**

1. DRAWING SHOWS 16-WAY CONNECTOR.
2. RECOMMENDED BULKHEAD MOUNTING THICKNESS: 1.50mm.
3. RECOMMENDED MOUNTING SCREWS: M2.5x6 CSK.
4. WHEN FULLY MATED WITH FIXED CONNECTOR, MOUNTING FLANGES WILL HAVE A GAP OF 3.5mm ±0.1mm TO ALLOW FOR PANEL THICKNESS.
5. SUITABLE FOR 26 AWG CABLE.

PART No.	No. OF WAYS	DIMENSION			
		A	B	C	D
M90-6060845	8 WAY	37.0	23.00	14.00	7.50
M90-6061245	12 WAY	42.0	28.00	19.00	12.50
M90-6061645	16 WAY	47.0	33.00	24.00	17.50

MGP	1	26.10.11	11518
NAME	ISS.	DATE	C/NOTE
APPROVED: MGP			
CHECKED: SMC			
DRAWN: MARK G PLESTED			
CUSTOMER REF.:			
ASSEMBLY DRG:			

**HARWIN**  
 www.harwin.com  
 technical@harwin.com

THIS DRAWING AND ANY INFORMATION OR DESCRIPTIVE MATTER SET OUT HEREON ARE CONFIDENTIAL AND COPYRIGHT PROPERTY OF THE HARWIN GROUP AND MUST NOT BE DISCLOSED, LOANED, COPIED OR USED FOR MANUFACTURING, TENDERING OR FOR ANY OTHER PURPOSE WITHOUT THEIR WRITTEN PERMISSION.

**TOLERANCES**  
 X. = ±1mm  
 X.X = ±0.25mm  
 X.XX = ±0.10mm  
 X.XXX = ±0.01mm  
 ANGLES = ±5°  
 UNLESS STATED

**MATERIAL:**  
 SEE SPECIFICATION  
**FINISH:**  
**S/AREA:** mm<sup>2</sup>

**TITLE:**  
 SPRING PROBE ASSEMBLY  
 26 AWG SOLDER TAILS  
**DRAWING NUMBER:**  
**M90-606XX45**  
**SHT** 2 OF 2

## X-ON Electronics

Largest Supplier of Electrical and Electronic Components

*Click to view similar products for [Headers & Wire Housings](#) category:*

*Click to view products by [Harwin](#) manufacturer:*

Other Similar products are found below :

[892-18-020-10-001101](#) [58102-G61-06LF](#) [582553-1](#) [0009485154](#) [009176003701906](#) [0050291907](#) [LY20-4P-DT1-P1E-BR](#) [02.125.8002.8](#)  
[609-3404](#) [61062-3](#) [622-0430](#) [622-3653LF](#) [63453-116](#) [636-1030](#) [636-1427](#) [636-3427](#) [636-4007](#) [641938-9](#) [641991-4](#) [644827-2](#) [65817-010LF](#)  
[65817-015LF](#) [65863-015LF](#) [66207-023LF](#) [67095-007LF](#) [67601157](#) [68648-049](#) [70.362.1628.0](#) [70-4210](#) [70-4226B](#) [70-4853B](#) [707-5020](#) [707-](#)  
[5028](#) [71.350.2428.0](#) [71918-208LF](#) [71961-016LF](#) [733-134](#) [733-162](#) [754199-000](#) [760-3052](#) [787-8014-00](#) [79531-3000](#) [FCN-360C032-B](#) [FCN-](#)  
[367T-T012/H](#) [FCN-723D010/2](#) [80.063.4001.1](#) [800-90-001-10-001000](#) [800-90-010-10-002000](#) [801-43-002-10-013000](#) [801-43-006-10-002000](#)