

# Customer Information Sheet

DRAWING No.: M90C108950C

SHEET 2 OF 2

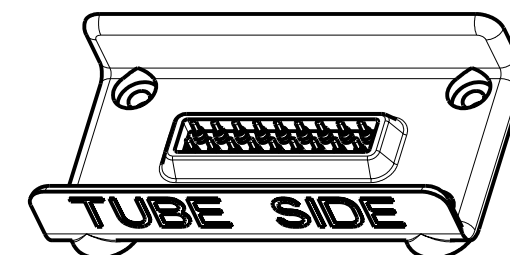
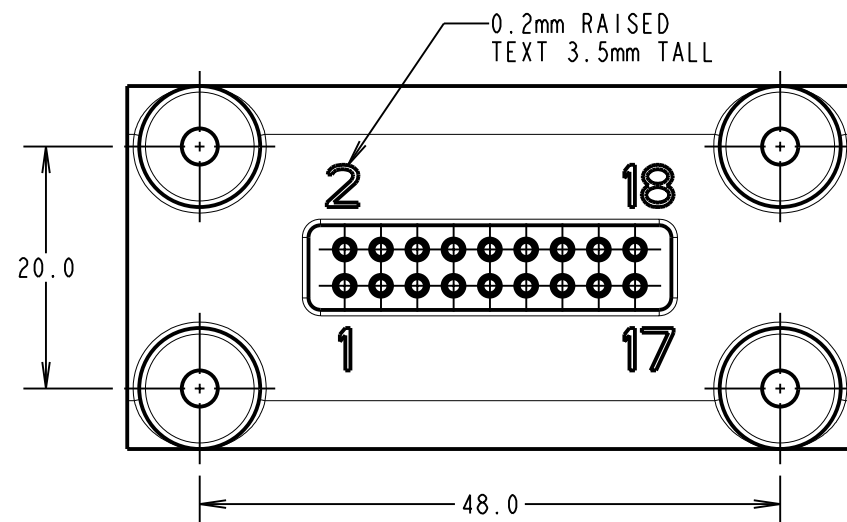
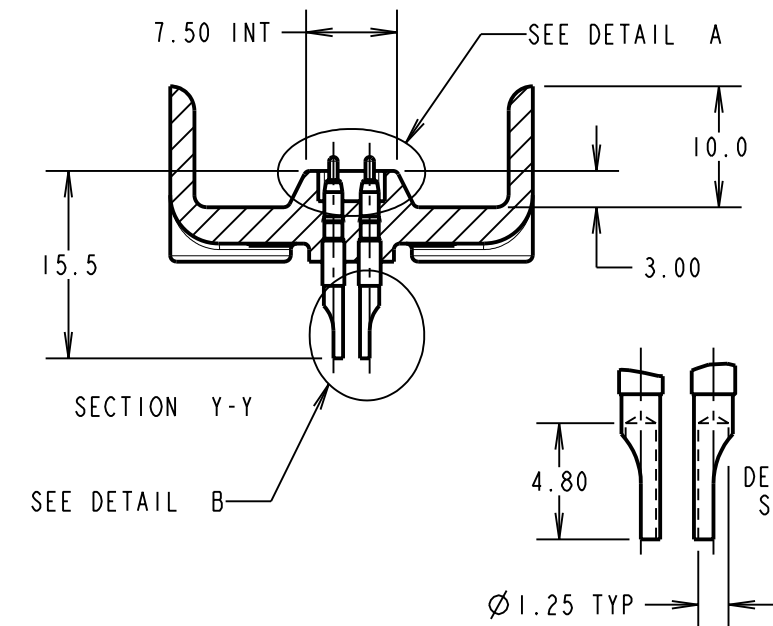
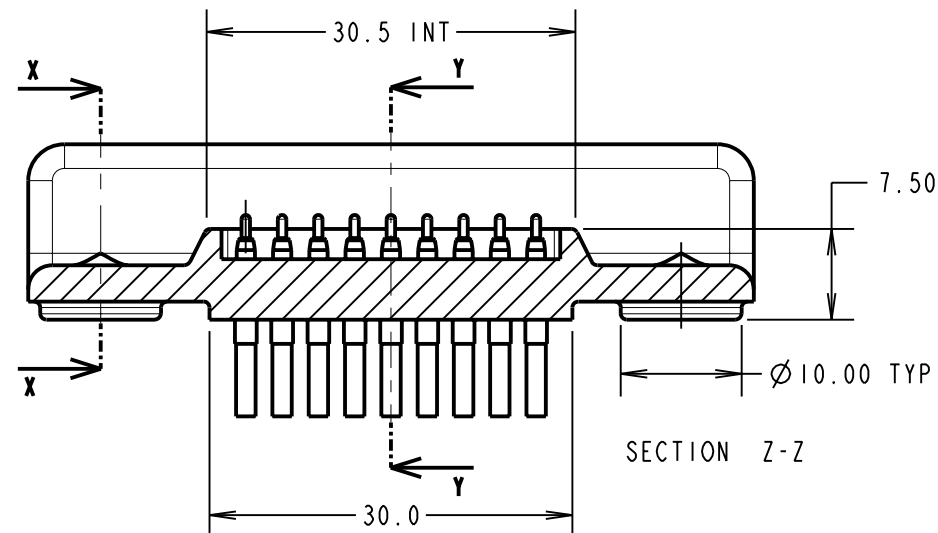
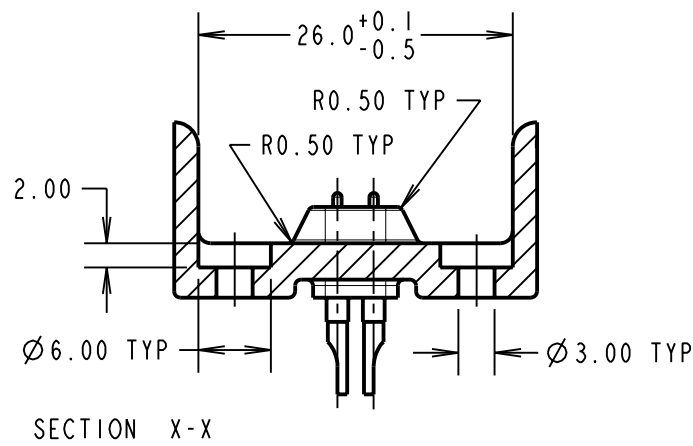
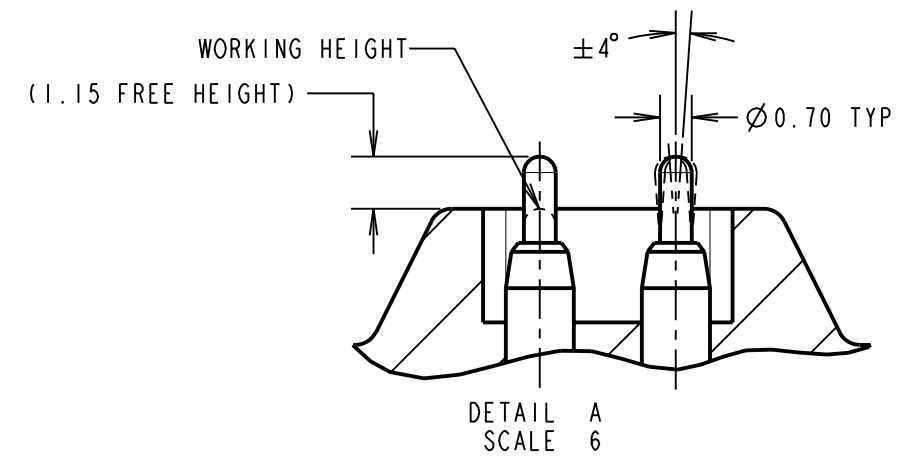
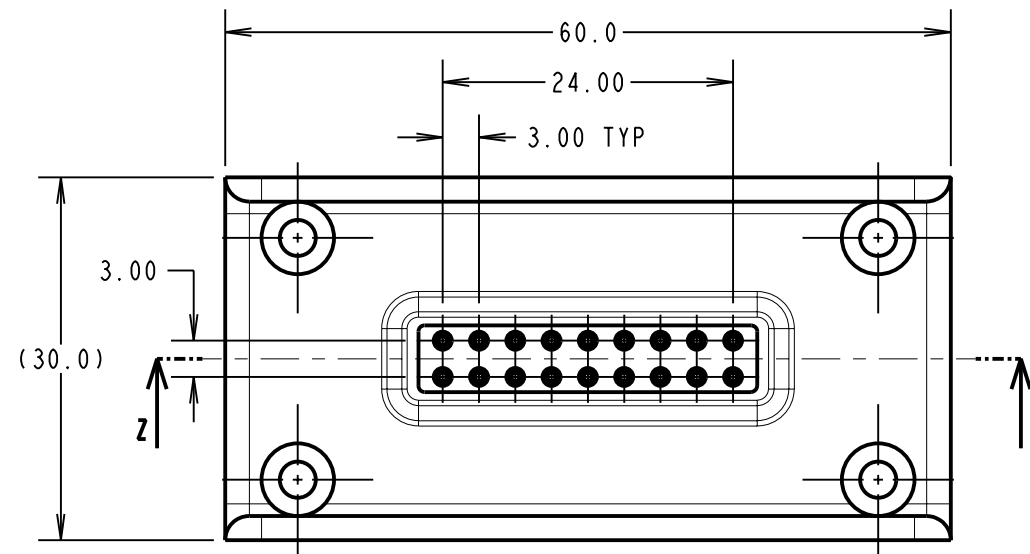
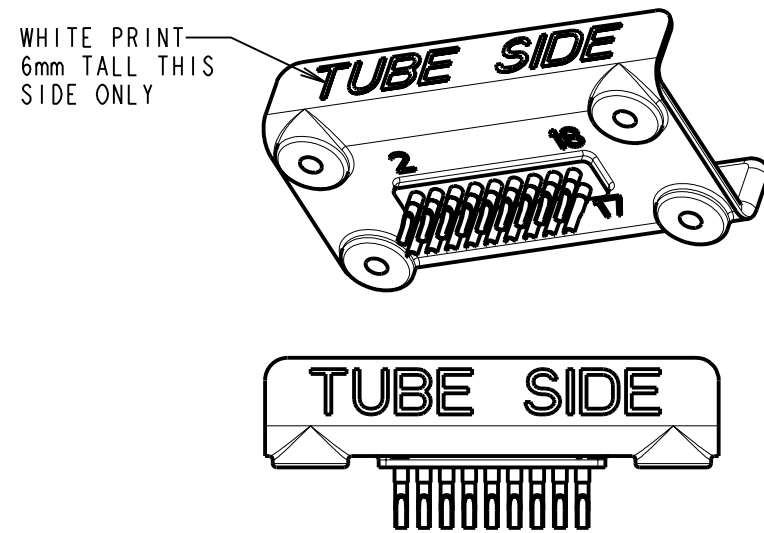
IF IN DOUBT - ASK

©

NOT TO SCALE

THIRD ANGLE PROJECTION

ALL DIMENSIONS IN mm



**NOTES:**

- MATERIALS:**  
 SPRING PROBE:  
 PLUNGER AND BARREL = BRASS  
 SPRING = STAINLESS STEEL  
 HOUSING = G/F POLYAMIDE 46, UL94V-0, BLACK
- PLATING:**  
 PLUNGER AND BARREL = 0.25µ MIN. GOLD OVER NICKEL  
 SPRING = UNPLATED
- ELECTRICAL SPECIFICATION:**  
 CURRENT RATING 12V DC = 1A  
 CONTACT RESISTANCE = 50 MILLIOHMS MAX AT WORKING HEIGHT (QUIESCENCE)
- MECHANICAL SPECIFICATION:**  
 SPRING FORCE PER CONTACT AT WORKING HEIGHT = 110g±20%  
 DURABILITY = 20,000 CYCLES MIN.
- ENVIRONMENTAL SPECIFICATION:** -40° TO 105° C
- PACKING:** INDIVIDUALLY BAGGED, LAYERED IN BOX.
- FLATNESS:** MOUNTING BOSS PLANE TO BE FLAT WITHIN 0.5mm.

MGP	2	20.05.10	10810
NAME	ISS.	DATE	C/NOTE
APPROVED: MGP			
CHECKED: RA			
DRAWN: MARK G PLESTED			
CUSTOMER REF.:			
ASSEMBLY DRG:			

<b>HARWIN</b>			THIS DRAWING AND ANY INFORMATION OR DESCRIPTIVE MATTER SET OUT HEREON ARE CONFIDENTIAL AND COPYRIGHT PROPERTY OF THE HARWIN GROUP AND MUST NOT BE DISCLOSED, LOANED, COPIED OR USED FOR MANUFACTURING, TENDERING OR FOR ANY OTHER PURPOSE WITHOUT THEIR WRITTEN PERMISSION.	TOLERANCES X. = ±1mm X.X = ±0.25mm X.XX = ±0.10mm X.XXX = ±0.01mm ANGLES = ±5° UNLESS STATED	MATERIAL: SEE ABOVE	TITLE: 18 WAY SPRING PROBE HOTSHOE URP DOCKING CONNECTOR
HARWIN USA TEL: 603 893 5376 FAX: 603 893 5396 mis@harwin.com	HARWIN Europe (UK) TEL: 023 9231 4545 FAX: 023 9231 4590 mis@harwin.co.uk	HARWIN Asia TEL: +65 6 779 4909 FAX: +65 6 779 3868 mis@harwin.com.sg		FINISH: SEE ABOVE S/AREA: mm <sup>2</sup>	DRAWING NUMBER: <b>M90C108950C</b>	SHT 2 OF 2

## X-ON Electronics

Largest Supplier of Electrical and Electronic Components

*Click to view similar products for [Headers & Wire Housings](#) category:*

*Click to view products by [Harwin](#) manufacturer:*

Other Similar products are found below :

[57102-F02-18ULF](#) [58102-G61-06LF](#) [582553-1](#) [009176003701906](#) [0050291907](#) [00-9021-0611-00-339](#) [02.125.8002.8](#) [609-3404](#) [61062-3](#)  
[622-0430](#) [622-3653LF](#) [63453-116](#) [636-1030](#) [636-1427](#) [636-3427](#) [636-4007](#) [641938-9](#) [65495-038](#) [65692-001LF](#) [65781-018](#) [65781-047](#)  
[65817-010LF](#) [65817-015LF](#) [66207-023LF](#) [67016-026LF](#) [67095-007LF](#) [68631-112](#) [68645-018](#) [68648-049](#) [699319-000](#) [M90C108951C](#)  
[70.362.1628.0](#) [70-4210](#) [70-4226B](#) [70-4853B](#) [707-5020](#) [707-5028](#) [71.350.2428.0](#) [71961-016LF](#) [733-134](#) [754199-000](#) [760-3052](#) [787-8014-00](#)  
[80.063.4001.1](#) [800-90-001-10-001000](#) [801-43-002-10-013000](#) [801-43-006-10-002000](#) [803-41-018-10-001000](#) [803-43-014-20-001000](#)  
[803-43-024-10-001000](#)