

# Customer Information Sheet

DRAWING No.: P25-XX26

SHEET 2 OF 2

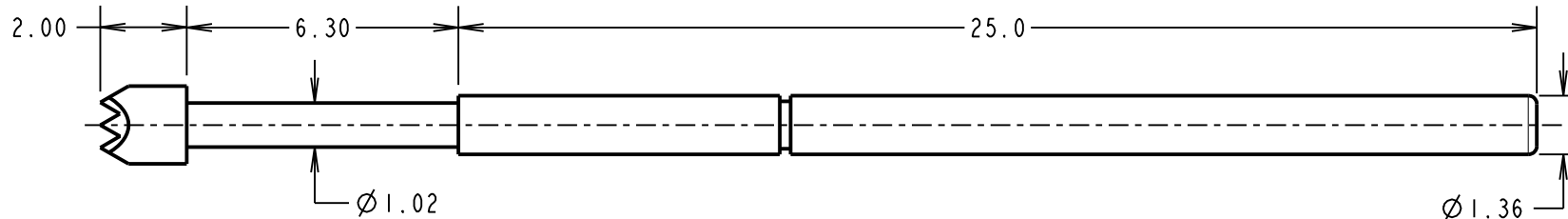
IF IN DOUBT - ASK

(C)

NOT TO SCALE

THIRD ANGLE PROJECTION

ALL DIMENSIONS IN mm



ORDER CODE:  
**P25-XX26**  
PROBE HEAD: \_\_\_\_\_  
VARIANT (SEE BELOW)

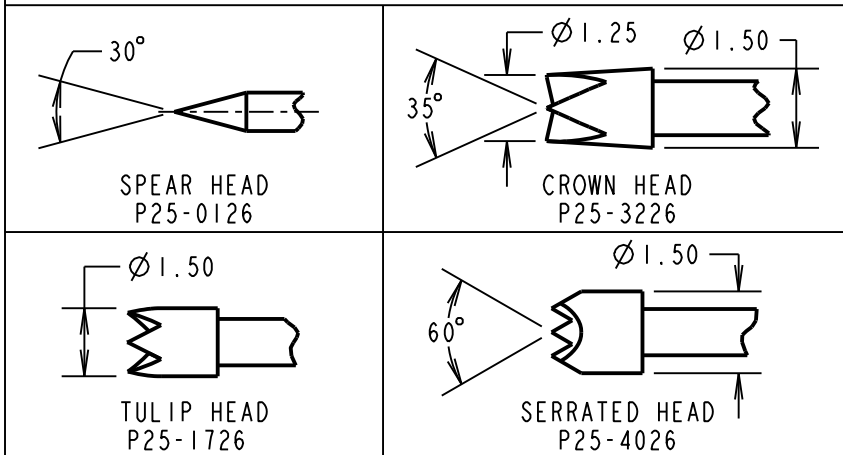
**NOTES:**

- TO BE USED WITH SLEEVE S25-XX6.
- SUITABLE FOR A MINIMUM DISTANCE BETWEEN CENTRES OF 2.54mm.

**SPECIFICATIONS:**

**MATERIAL:**  
**PLUNGER:**  
 P25-3226, P25-1726, P25-4026 = BERYLLIUM COPPER  
 P25-0126 = HIGH CARBON STEEL  
**BARREL:**  
 P25-3226, P25-1726, P25-4026 = BRASS  
 P25-0126 = PHOSPHOR BRONZE  
**SPRING = STAINLESS STEEL**  
**FINISH:**  
 PLUNGER, BARREL = GOLD OVER NICKEL  
**SPRING:**  
 P25-3226, P25-1726, P25-4026 = UNPLATED  
 P25-0126 = GOLD OVER NICKEL  
**ELECTRICAL:**  
 CURRENT RATING = 3A MAX  
 CONTACT RESISTANCE = 50mΩ MAX  
**MECHANICAL:**  
 DURABILITY = 100,000 CYCLES MIN  
 FULL TRAVEL = 6.30mm  
**SPRING FORCES:**  
 AT FULL TRAVEL = 2.45N ±0.50N (250g ±20%)  
 AT 2/3 TRAVEL = 1.67N ±0.34N (170g ±20%)  
**ENVIRONMENTAL:**  
 TEMPERATURE RANGE = -40°C TO +180°C

**PROBE HEAD VARIANTS**



SB	6	08.11.17	20842
NAME	ISS.	DATE	C/NOTE
APPROVED: S.BENNETT			
CHECKED: M.PLESTED			
DRAWN: W.J.BOURNE			
CUSTOMER REF.:			
ASSEMBLY DRG:			

**HARWIN**

www.harwin.com  
technical@harwin.com

THIS DRAWING AND ANY INFORMATION OR DESCRIPTIVE MATTER SET OUT HEREON ARE CONFIDENTIAL AND COPYRIGHT PROPERTY OF THE HARWIN GROUP AND MUST NOT BE DISCLOSED, LOANED, COPIED OR USED FOR MANUFACTURING, TENDERING OR FOR ANY OTHER PURPOSE WITHOUT THEIR WRITTEN PERMISSION.

**TOLERANCES**  
 X. = ±1mm  
 X.X = ±0.50mm  
 X.XX = ±0.10mm  
 X.XXX = ±0.01mm  
 ANGLES = ±5°  
 UNLESS STATED

**MATERIAL:**  
 SEE ABOVE  
**FINISH:** SEE ABOVE  
**S/AREA:** mm<sup>2</sup>

**TITLE:**  
 2.54mm MIN. CENTRE  
 TWO-PIECE SPRING PROBE

**DRAWING NUMBER:**  
**P25-XX26**  
 SHT 2 OF 2

## X-ON Electronics

Largest Supplier of Electrical and Electronic Components

*Click to view similar products for [Test Probes](#) category:*

*Click to view products by [Harwin](#) manufacturer:*

Other Similar products are found below :

[6214](#) [6474](#) [815003](#) [923832-BK-B](#) [P-KIT-1](#) [KT-MS001](#) [925250-R](#) [923848-C](#) [973368101](#) [972318101](#) [972318100](#) [MXHQ87WJ3000](#) [PK106-3](#) [PK2-5MM-102](#) [382254](#) [TAS90](#) [VL1735/45](#) [973368100](#) [972327100](#) [972327101](#) [973995100](#) [973995101](#) [CT3982B-120](#) [CT4386](#) [PP023-1](#) [PK1-5MM-125](#) [PK1-5MM-127](#) [PP026-1](#) [PK103](#) [PK-ZS-013](#) [P6139B-PK10](#) [PQ215](#) [PQ219](#) [PQ218](#) [RT-ZI10C](#) [TT-SI 8071](#) [TT-SI 8050](#) [TT-SI 8010A](#) [TT-SI 7005](#) [GE.3421](#) [GE.3121](#) [GE.1511](#) [GE.1521](#) [GE.2511](#) [HVP15B](#) [TT-SI7002](#) [4005](#) [4011](#) [4012](#) [4013](#)