

Customer Information Sheet

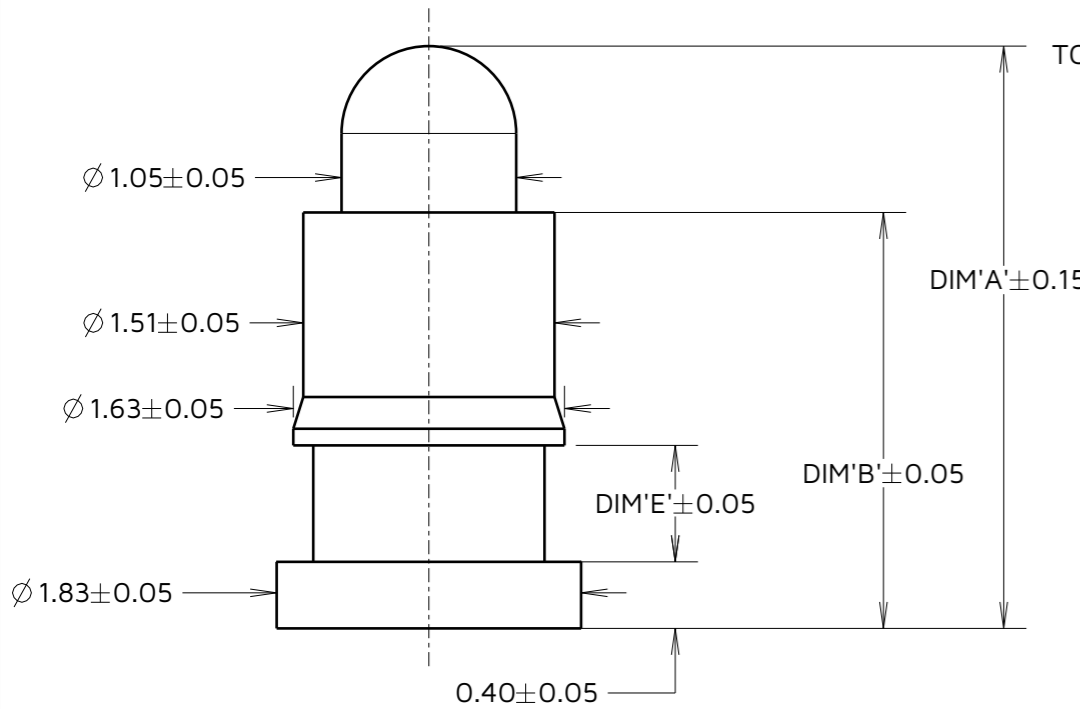
IF IN DOUBT - ASK

©

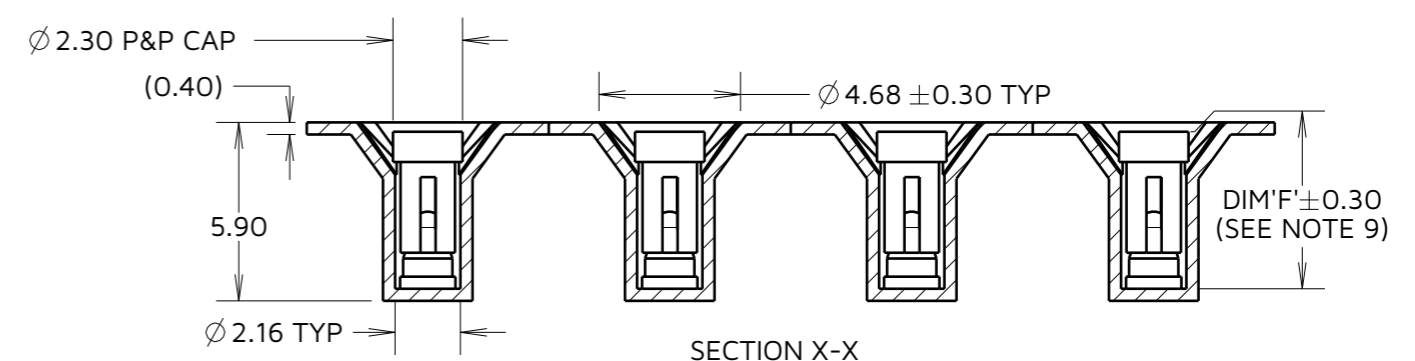
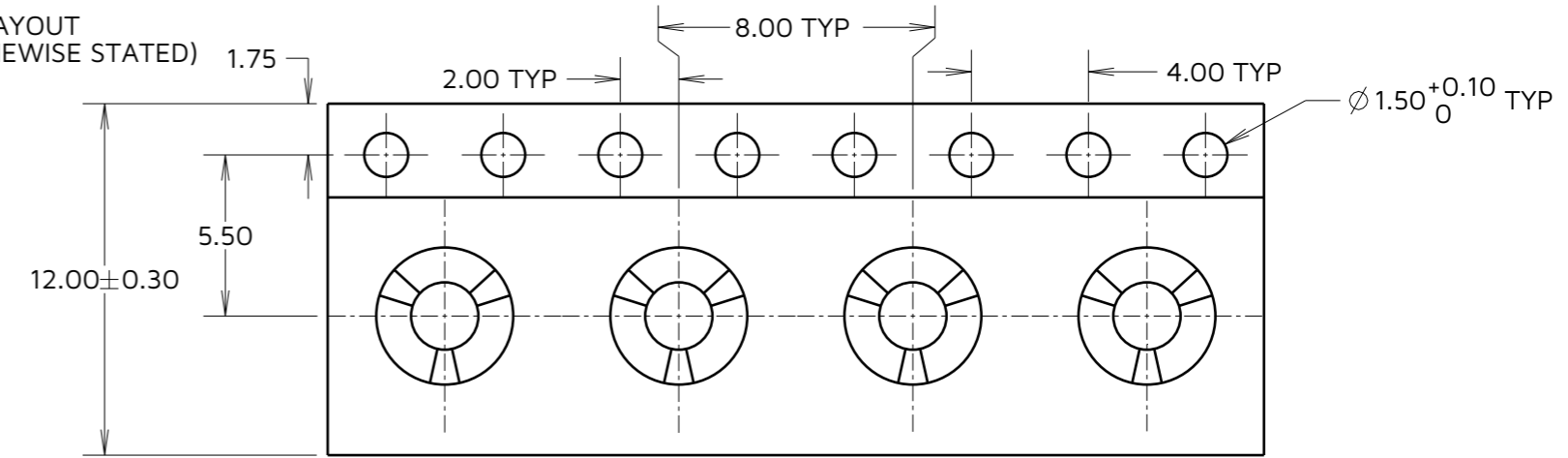
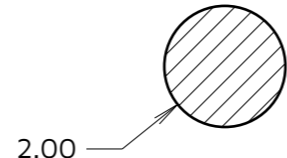
NOT TO SCALE

THIRD ANGLE PROJECTION

ALL DIMENSIONS IN mm

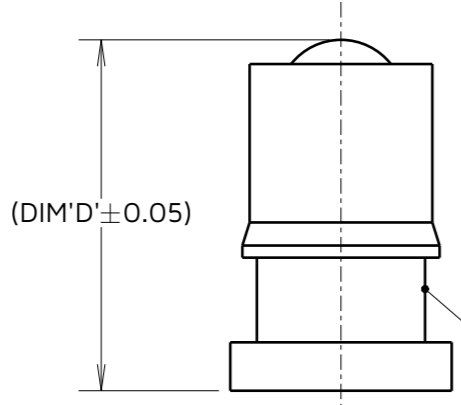
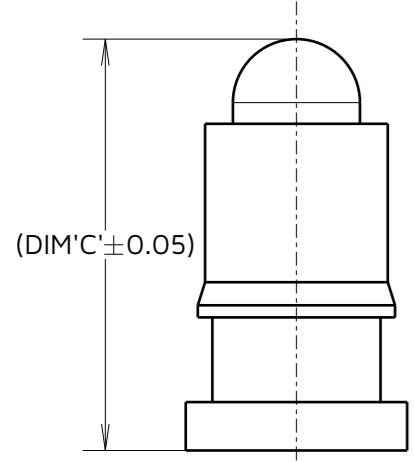


RECOMMENDED PCB LAYOUT TOLERANCE ±0.05 (UNLESS OTHERWISE STATED)



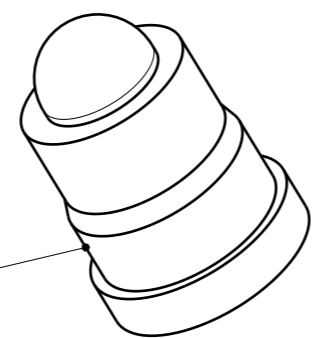
SECTION X-X

REEL DETAILS

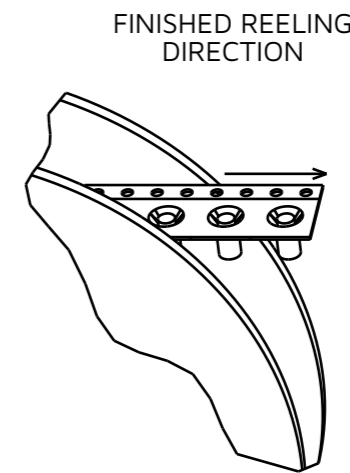
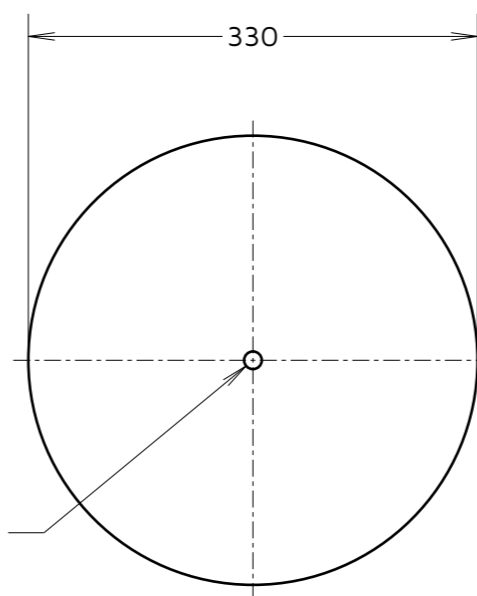


MAX WORKING HEIGHT (MIN COMPRESSION)

MIN COMPRESSION HEIGHT (MAX COMPRESSION)



SEE NOTE 7



- NOTES:
- MATERIAL
BARREL & PLUNGER: COPPER ALLOY
SPRING: STAINLESS STEEL
 - PLATING
PLUNGER: GOLD OVER NICKEL
BARREL : GOLD OVER NICKEL
 - TAPE MATERIAL: PET TRANSPARENT
 - THIS PRODUCT IS TAPED AND REELED IN ACCORDANCE WITH EIA-481 STANDARDS.
 - FOR COMPLETE ELECTRICAL AND MECHANICAL SPECIFICATION SEE COMPONENT SPECIFICATION C056XX (LATEST ISSUE)
 - SEE TABLE 1 FOR COMPONENTS COMPATIBLE WITH TAPE POCKET SHOWN ABOVE.
 - NO BARB FEATURE PRESENT ON P70-250004R ONLY.
 - COMPONENT MAY DIFFER VISUALLY BETWEEN VARIANTS.
 - DIM'F' ILLUSTRATES THE TOTAL COMPONENT HEIGHT (PICK AND PLACE CAP INCLUDED).

TABLE 1: DIMENSIONS

| HARWIN PART NO. | DIM 'A' | DIM 'B' | DIM 'C' | DIM 'D' | DIM 'E' | DIM 'F' | QTY PER REEL |
|-----------------|---------|---------|---------|---------|---------|---------|--------------|
| P70-2500045R | 2.55 | 1.95 | 2.25 | 2.05 | 0.50 | 5.00 | 1500 PCS |
| P70-2510045R | 3.50 | 2.50 | 3.00 | 2.60 | 0.70 | 5.30 | |
| P70-2520045R | 3.90 | 2.70 | 3.40 | 2.90 | | | |
| P70-2530045R | 4.50 | 2.70 | 3.80 | 3.10 | | | |

| | | | |
|----------------------|------|----------|-------|
| FC | 1 | 23.04.24 | 33949 |
| NAME | ISS. | DATE | CN/CO |
| APPROVED: R.PORTLOCK | | | |
| CHECKED: A.YEOMANS | | | |
| DRAWN: F.CHRISPINE | | | |
| ASSEMBLY DRG: | | | |

HARWIN

www.harwin.com

TOLERANCES
X. = ±1mm
X.X = ±0.50mm
X.XX = ±0.20mm
X.XXX = ±0.01mm
ANGLES = ±5°
UNLESS STATED

THIS DRAWING AND ANY INFORMATION OR DESCRIPTIVE MATTER SET OUT HEREON ARE CONFIDENTIAL AND COPYRIGHT PROPERTY OF THE HARWIN GROUP AND MUST NOT BE DISCLOSED, LOANED, COPIED OR USED FOR MANUFACTURING, TENDERING OR FOR ANY OTHER PURPOSE WITHOUT THEIR WRITTEN PERMISSION.

MATERIAL:
SEE NOTE 1

TITLE:
SURFACE MOUNT SPRING LOADED POGO PIN
DRAWING NUMBER:
P70-25X0045R

Customer Information Sheet

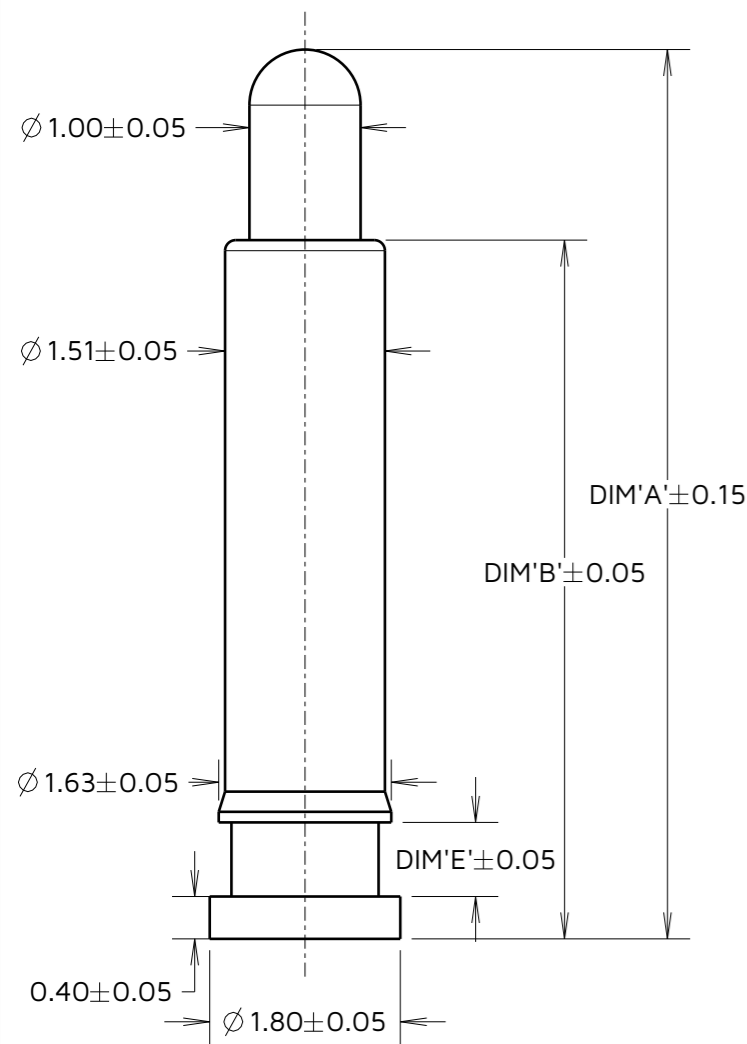
IF IN DOUBT - ASK

©

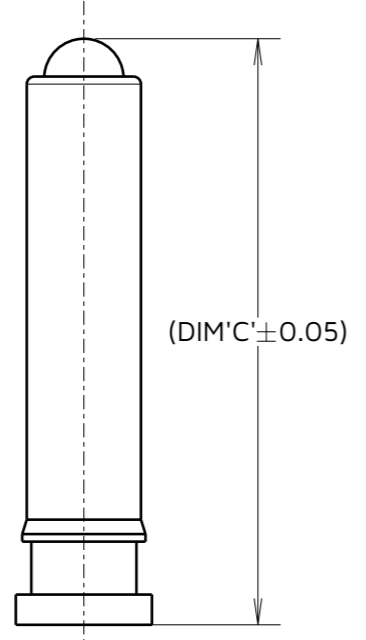
NOT TO SCALE

THIRD ANGLE PROJECTION

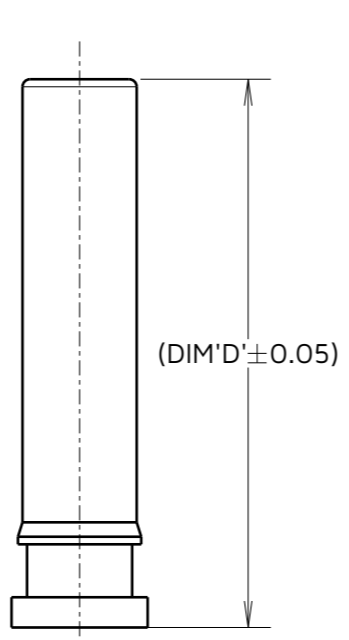
ALL DIMENSIONS IN mm



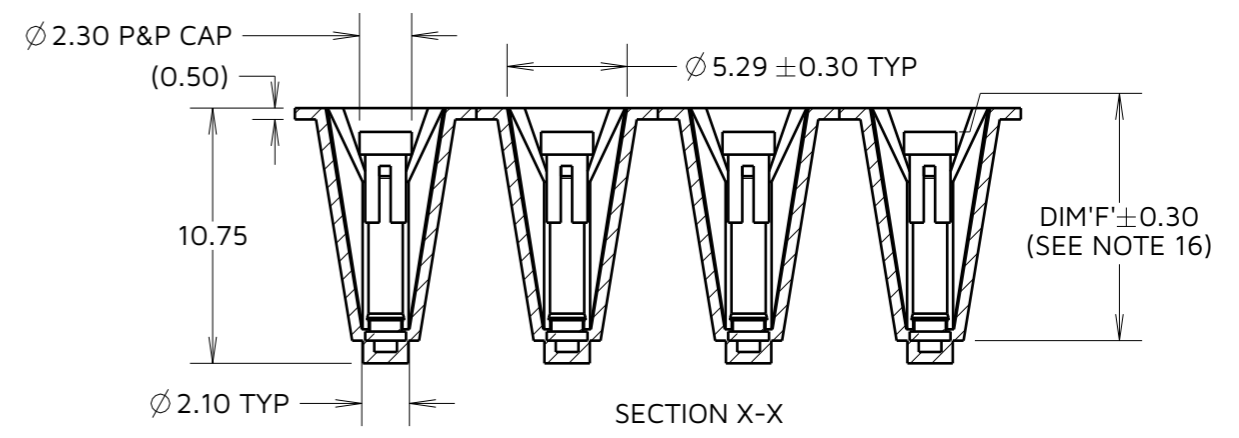
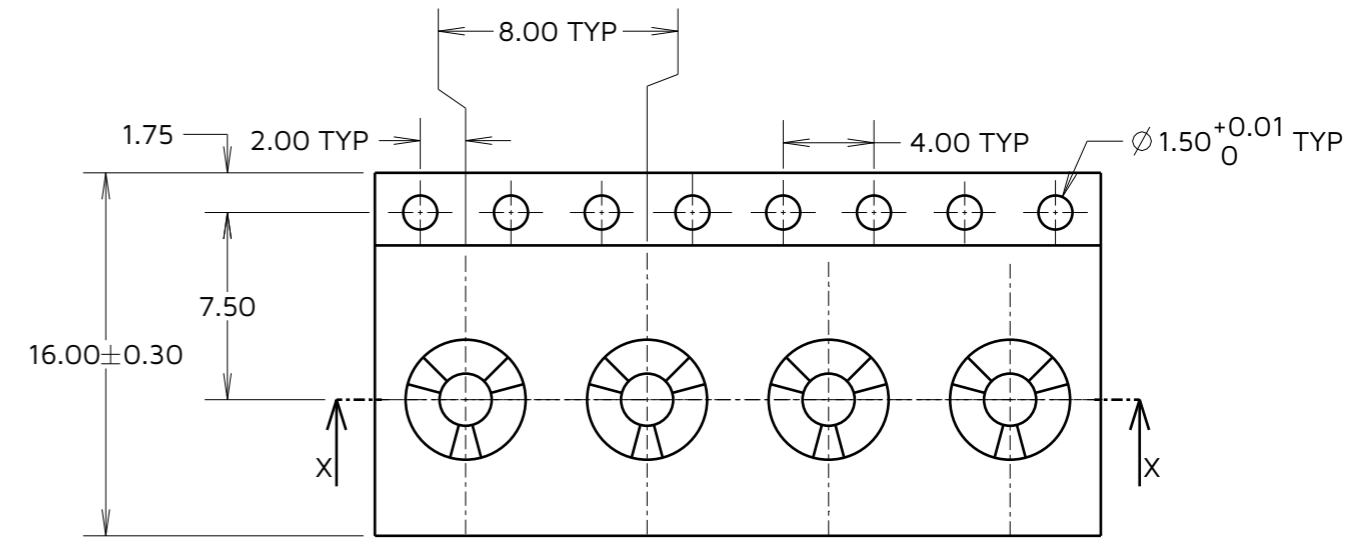
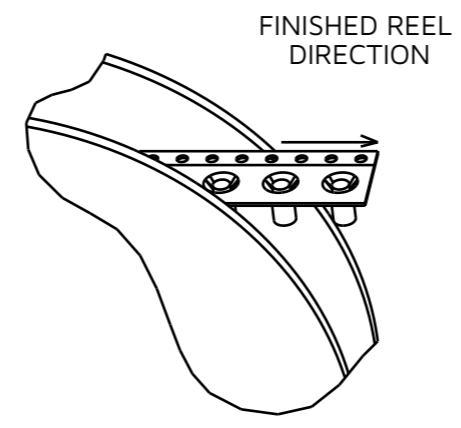
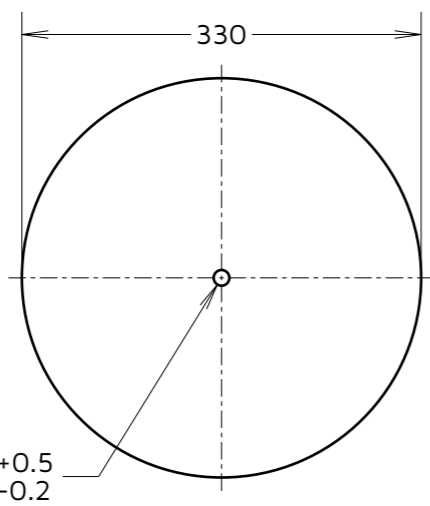
MAX WORKING HEIGHT
(MIN COMPRESSION)



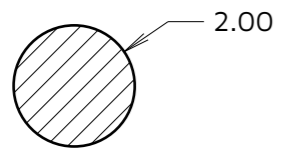
MIN WORKING HEIGHT
(MAX COMPRESSION)



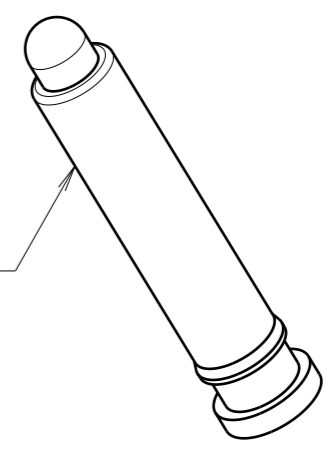
REEL DETAILS



RECOMMENDED PCB LAYOUT
TOLERANCE ± 0.05 (UNLESS OTHERWISE STATED)



P70-2560045R SHOWN FOR
ILLUSTRATIVE PURPOSES ONLY.
SEE TABLE FOR PART NUMBER.



- NOTES:
- MATERIAL
BARREL & PLUNGER: COPPER ALLOY
SPRING: STAINLESS STEEL
 - PLATING
PLUNGER: GOLD OVER NICKEL
BARREL : GOLD OVER NICKEL
 - TAPE MATERIAL: PET TRANSPARENT
 - THIS PRODUCT IS TAPED AND REELED IN ACCORDANCE WITH EIA-481 STANDARDS.
 - SEE TABLE 2 FOR COMPONENTS COMPATIBLE WITH TAPE POCKET SHOWN ABOVE.
 - DIM'F' ILLUSTRATES THE TOTAL COMPONENT HEIGHT (PICK AND PLACE CAP INCLUDED).

| HARWIN PART NO. | DIM 'A' | DIM 'B' | DIM 'C' | DIM 'D' | DIM 'E' | DIM 'F' | QTY PER REEL |
|-----------------|---------|---------|---------|---------|---------|---------|--------------|
| P70-2540045R | 8.25 | 7.25 | 7.75 | 7.25 | 0.50 | 9.50 | 800 PCS |
| P70-2560045R | 8.40 | 6.60 | 7.00 | 7.00 | 0.70 | 8.85 | |
| P70-2570045R | 8.25 | 7.25 | 7.75 | 7.25 | | 9.50 | |

| | | | |
|----------------------|------|----------|-------|
| FC | 1 | 23.04.24 | 33949 |
| NAME | ISS. | DATE | CN/CO |
| APPROVED: R.PORTLOCK | | | |
| CHECKED: A.YEOMANS | | | |
| DRAWN: F.CHRISPINE | | | |
| ASSEMBLY DRG: | | | |



TOLERANCES
X. = ± 1 mm
X.X = ± 0.50 mm
X.XX = ± 0.20 mm
X.XXX = ± 0.01 mm
ANGLES = $\pm 5^\circ$
UNLESS STATED

THIS DRAWING AND ANY INFORMATION OR DESCRIPTIVE MATTER SET OUT HEREON ARE CONFIDENTIAL AND COPYRIGHT PROPERTY OF THE HARWIN GROUP AND MUST NOT BE DISCLOSED, LOANED, COPIED OR USED FOR MANUFACTURING, TENDERING OR FOR ANY OTHER PURPOSE WITHOUT THEIR WRITTEN PERMISSION.

MATERIAL:
SEE NOTE 11

TITLE:
SURFACE MOUNT SPRING
LOADED POGO PIN
DRAWING NUMBER:
P70-25X0045R
SHT 3 OF 4

Customer Information Sheet

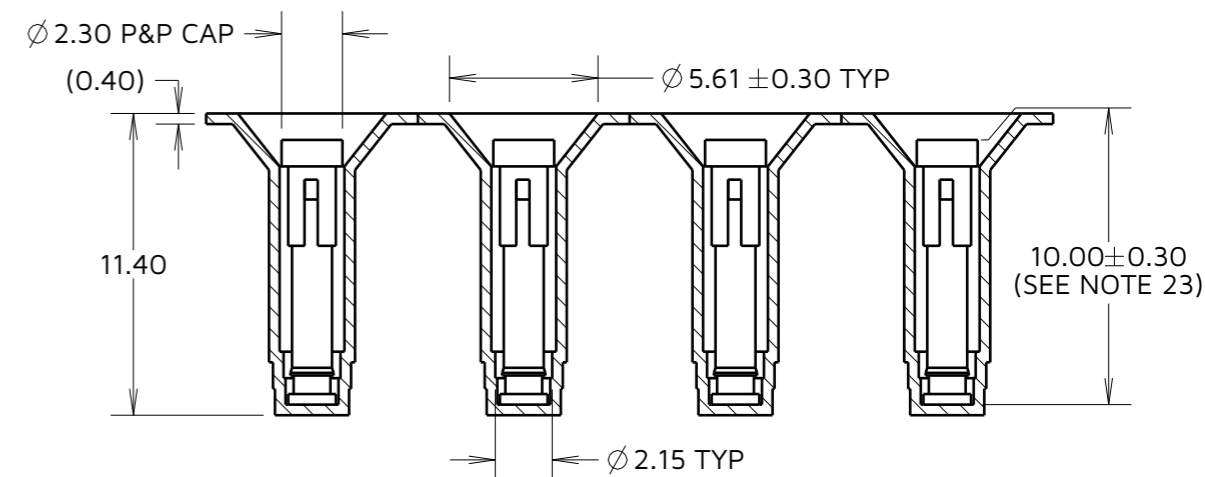
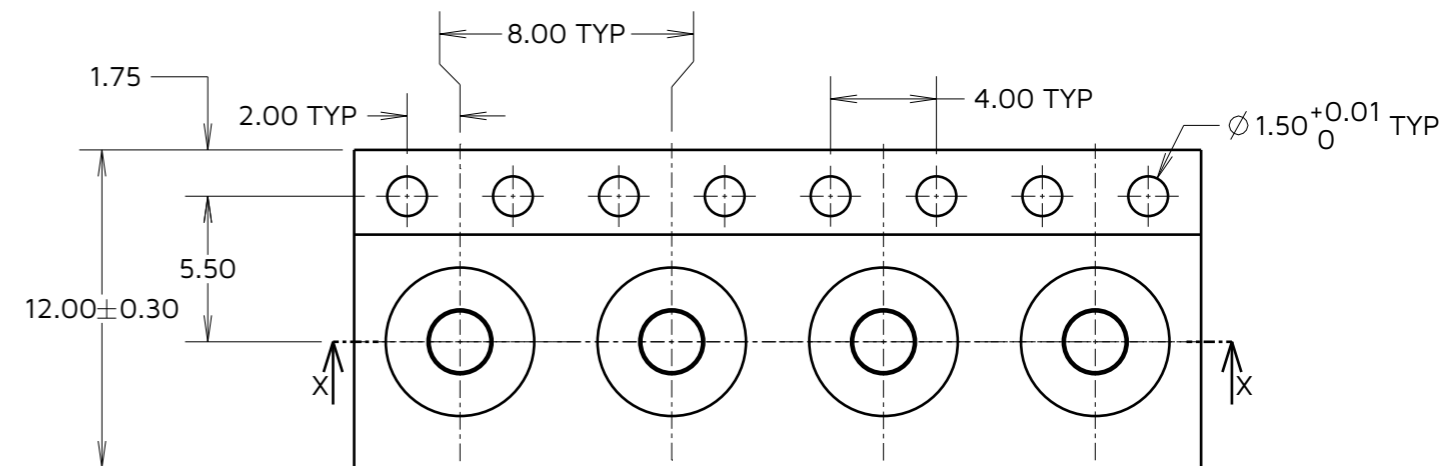
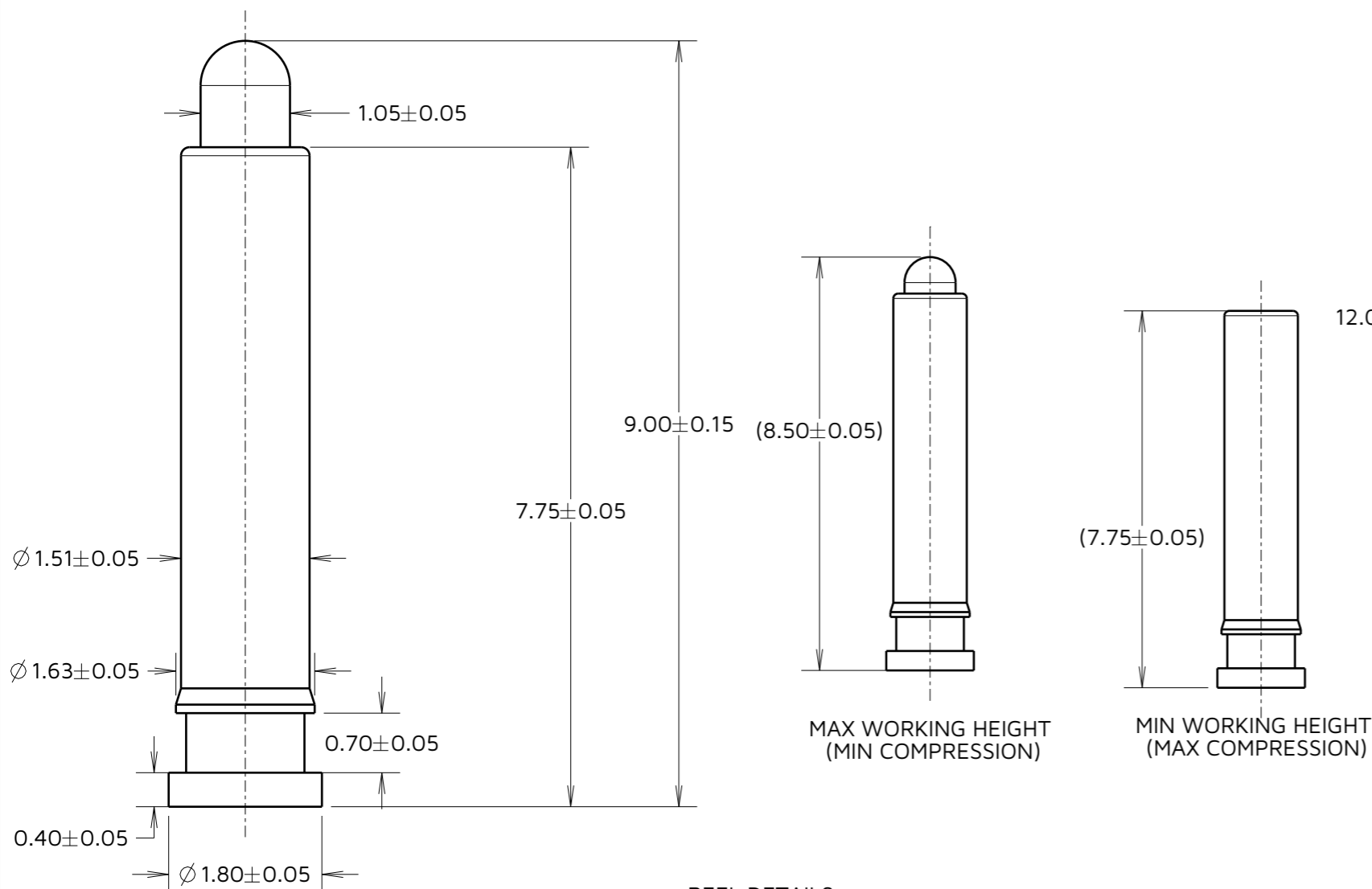
IF IN DOUBT - ASK

©

NOT TO SCALE

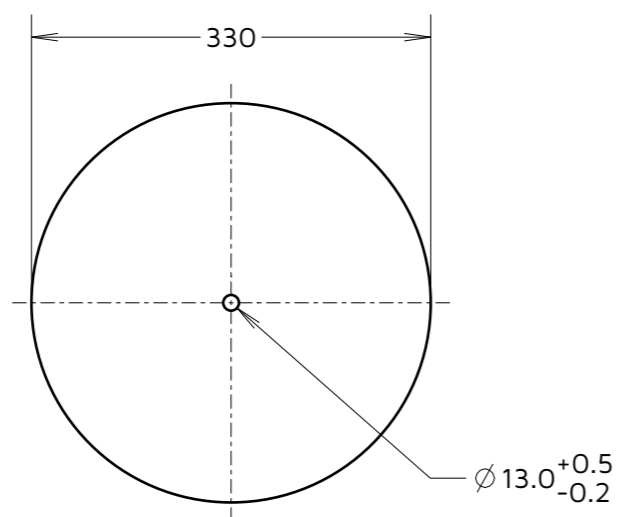
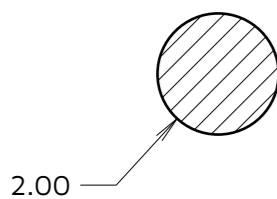
THIRD ANGLE PROJECTION

ALL DIMENSIONS IN mm

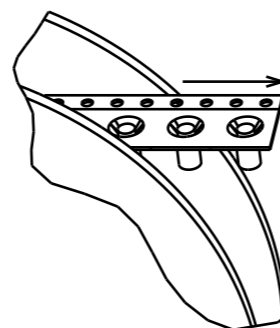


REEL DETAILS

RECOMMENDED PCB LAYOUT
TOLERANCE ±0.05 (UNLESS OTHERWISE STATED)

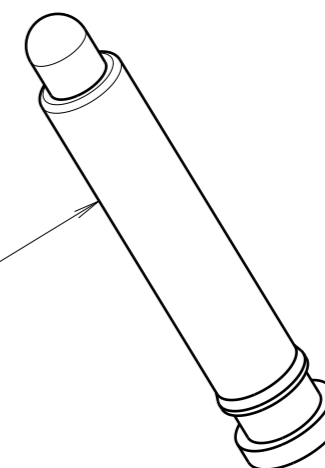


FINISHED REEL
DIRECTION



SECTION X-X

P70-2550045R SHOWN FOR
ILLUSTRATIVE PURPOSES ONLY.



NOTES:

- 16. MATERIAL
BARREL & PLUNGER: COPPER ALLOY
SPRING: STAINLESS STEEL
- 17. PLATING
PLUNGER: GOLD OVER NICKEL
BARREL : GOLD OVER NICKEL
- 18. TAPE MATERIAL: PET TRANSPARENT
- 19. THIS PRODUCT IS TAPED AND REELED IN ACCORDANCE WITH EIA-481 STANDARDS.
- 20. TAPE POCKET SHOWN ABOVE USED FOR COMPONENT P70-2550045 ONLY.
- 21. QUANTITY OF COMPONENTS PER REEL, 800PCS.
- 22. DIM'F' ILLUSTRATES THE TOTAL COMPONENT HEIGHT (PICK AND PLACE CAP INCLUDED).

| | | | |
|----------------------|------|----------|-------|
| FC | 1 | 23.04.24 | 33949 |
| NAME | ISS. | DATE | CN/CO |
| APPROVED: R.PORTLOCK | | | |
| CHECKED: A.YEOMANS | | | |
| DRAWN: F.CHRISPINE | | | |
| ASSEMBLY DRG: | | | |

HARWIN

www.harwin.com

TOLERANCES
X. = ±1mm
X.X = ±0.50mm
X.XX = ±0.20mm
X.XXX = ±0.01mm
ANGLES = ±5°
UNLESS STATED

THIS DRAWING AND ANY INFORMATION OR DESCRIPTIVE MATTER SET OUT HEREON ARE CONFIDENTIAL AND COPYRIGHT PROPERTY OF THE HARWIN GROUP AND MUST NOT BE DISCLOSED, LOANED, COPIED OR USED FOR MANUFACTURING, TENDERING OR FOR ANY OTHER PURPOSE WITHOUT THEIR WRITTEN PERMISSION.

MATERIAL:

SEE NOTE 17

TITLE:

**SURFACE MOUNT SPRING
LOADED POGO PIN**

DRAWING NUMBER:

P70-25X0045R

SHT
4
OF
4

X-ON Electronics

Largest Supplier of Electrical and Electronic Components

Click to view similar products for [Terminals](#) category:

Click to view products by [Harwin](#) manufacturer:

Other Similar products are found below :

[00-054007-01074-6](#) [00-054007-70206-1](#) [00-054007-70210-8](#) [00-054007-70217-7](#) [00-054007-70228-3](#) [00-054007-70256-6](#) [00-054007-70316-7](#) [00-054007-49560-4](#) [00-054007-70209-2](#) [00-054007-70231-3](#) [00-054007-70241-2](#) [00-054007-70242-9](#) [00-054007-70246-7](#) [00-054007-70263-4](#) [00-054007-70288-7](#) [00-054007-70290-0](#) [00-054007-70300-6](#) [00-054007-70304-4](#) [01-2900-1-04412](#) [0190160084](#) [0190350008](#) [600TS-10](#) [605601-1](#) [60617-1-C](#) [61314-6-C](#) [626-0194](#) [63-S](#) [M55155/079C01](#) [M55155/099B03](#) [M55155/109H01](#) [M55155/12XH05](#) [M55155/29XJ08](#) [M55155/30-6S](#) [M55155/30-9S](#) [M55155/30XI09](#) [M6-14RSX](#) [M86700006](#) [D18-110B-C](#) [D18-110B-M](#) [701-1936](#) [701-1955](#) [701-2003](#) [701-2007](#) [701-2013](#) [701-2018](#) [701-2069](#) [701-2077-60](#) [701-2315](#) [701-2430](#) [701-2480](#)