

Customer Information Sheet

DRAWING No.: R25-100XX02

SHEET 2 OF 2

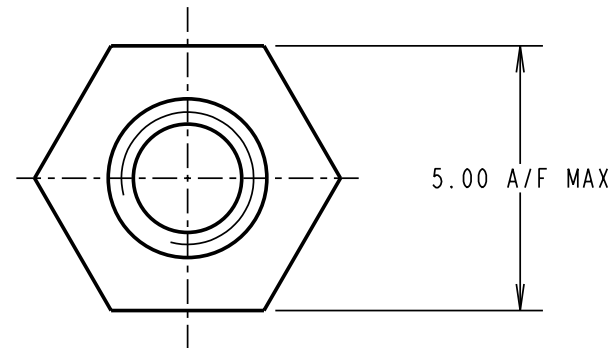
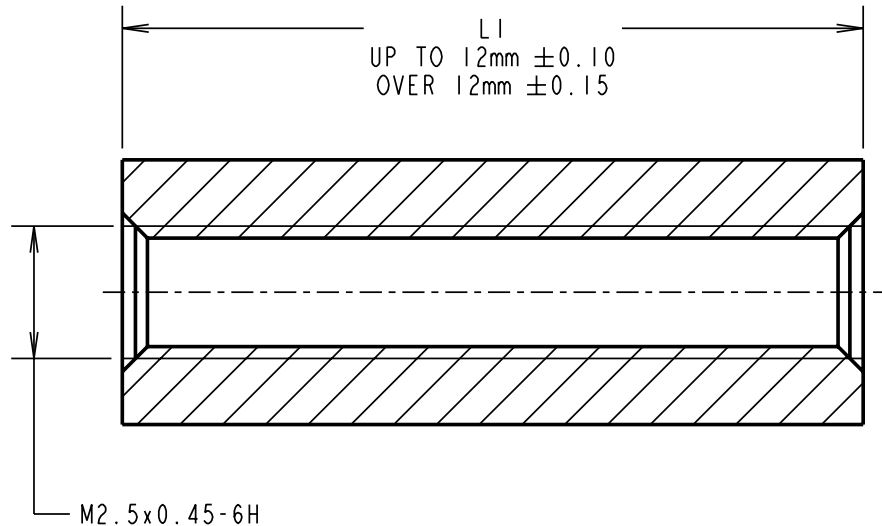
IF IN DOUBT - ASK

©

NOT TO SCALE

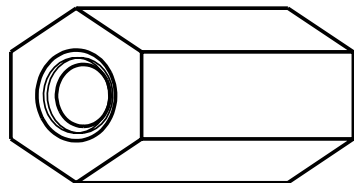
THIRD ANGLE PROJECTION

ALL DIMENSIONS IN mm



NOTES:

- R25-10025XX & R25-10033XX SPACERS MAY NOT HAVE A THRO TAPPED HOLE BUT WILL HAVE A MINIMUM THREAD LENGTH OF 10mm FROM BOTH ENDS.



PART No.	LI	PART No.	LI
R25-10004XX	4.00	R25-10013XX	13.00
R25-10005XX	5.00	R25-10014XX	14.00
R25-10006XX	6.00	R25-10015XX	15.00
R25-10007XX	7.00	R25-10016XX	16.00
R25-10008XX	8.00	R25-10017XX	17.00
R25-10009XX	9.00	R25-10018XX	18.00
R25-10010XX	10.00	R25-10020XX	20.00
R25-10011XX	11.00	R25-10025XX	25.00
R25-10012XX	12.00	R25-10033XX	33.00

ORDER CODE: **R25-100XX02**

LENGTH LI IN mm _____

RA	4	10.09.08	10141
NAME	ISS.	DATE	C/NOTE
APPROVED:		R.ADDE	
CHECKED:		M.G.PLESTED	
DRAWN:		WJ BOURNE	
CUSTOMER REF.:			
ASSEMBLY DRG:			

HARWIN

THIS DRAWING AND ANY INFORMATION OR DESCRIPTIVE MATTER SET OUT HEREON ARE CONFIDENTIAL AND COPYRIGHT PROPERTY OF THE HARWIN GROUP AND MUST NOT BE DISCLOSED, LOANED, COPIED OR USED FOR MANUFACTURING, TENDERING OR FOR ANY OTHER PURPOSE WITHOUT THEIR WRITTEN PERMISSION.

TOLERANCES

X. = ±1mm
 X.X = ±0.25mm
 X.XX = ±0.10mm
 X.XXX = ±0.01mm
 ANGLES = ±5°
 UNLESS STATED

MATERIAL:

BRASS
 CW614N M TO BS EN 12164
 (CuZn39Pb3)

FINISH: NICKEL

S/AREA: mm²

TITLE:

M2.5 HEXAGONAL
 FEMALE SPACER

DRAWING NUMBER:

R25-100XX02

HARWIN USA
 TEL: 603 893 5376
 FAX: 603 893 5396
 mis@harwin.com

HARWIN Europe (UK)
 TEL: 023 9231 4545
 FAX: 023 9231 4590
 mis@harwin.co.uk

HARWIN Asia
 TEL: +65 6 779 4909
 FAX: +65 6 779 3868
 mis@harwin.com.sg

SHT
 2 OF 2

X-ON Electronics

Largest Supplier of Electrical and Electronic Components

Click to view similar products for [Standoffs & Spacers](#) category:

Click to view products by [Harwin](#) manufacturer:

Other Similar products are found below :

[588-6208-02](#) [599-9844-02](#) [M0516-3-N](#) [M0518-3-N](#) [M0521-3-N](#) [M0524-3-N](#) [M0532-35-N](#) [M0543-4-AL](#) [M0544-35-N](#) [M0544-3-N](#) [M0545-3-AL](#) [M0553-3-N](#) [M0608-5-SS](#) [M0609-5-SS](#) [M0651-5-SS](#) [M0653-35-N](#) [M0654-4-SS](#) [M0655-5-AL](#) [M0658-35-AL](#) [M0660-4-AL](#) [M0670-35-N](#) [M0671-5-N](#) [M0671-5-SS](#) [M0722-5-N](#) [M0725-6-N](#) [M0904-B-25-AL](#) [M1273-2545-AL](#) [M1273-2545-SS](#) [M1273-3005-AL](#) [M1273-3005-SS](#) [M1274-3005-AL](#) [60187](#) [60202-SP](#) [60273](#) [60348-SP](#) [60419-SP](#) [60425-SP](#) [60473-SP](#) [60475-SP](#) [60477-SP](#) [60489-SP](#) [60491-SP](#) [60585-SP](#) [60762-SP](#) [60763-SP](#) [60872-SP](#) [M1303-3506-AL](#) [M1307-3506-AL](#) [M1314-3005-AL](#) [M1314-3005-SS](#)