

# Customer Information Sheet

DRAWING No.: R30-100XX02

IF IN DOUBT - ASK

©

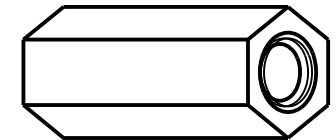
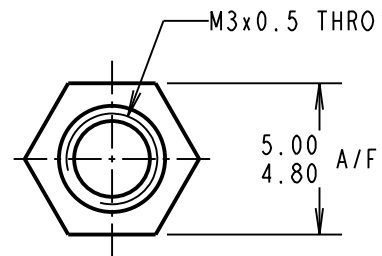
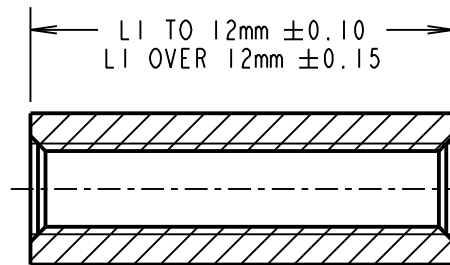
NOT TO SCALE

THIRD ANGLE PROJECTION

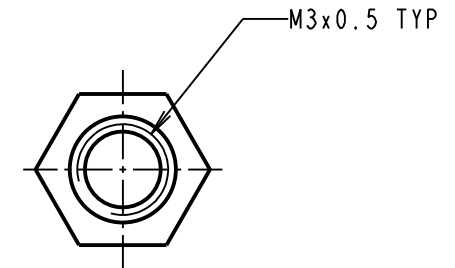
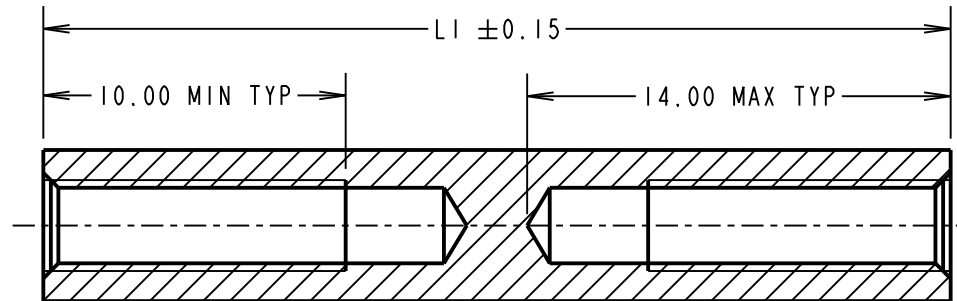
ALL DIMENSIONS IN mm

ALL SPACERS UP TO  
& INCLUDING 28mm

22 TO 28mm SPACERS DO NOT HAVE  
A THROUGH TAPPED HOLE, BUT  
HAVE A MINIMUM THREAD LENGTH  
OF 10mm FROM BOTH ENDS.



ALL SPACERS  
OVER 28mm



PART No.	LI	PART No.	LI	PART No.	LI	PART No.	LI
R30-1000402	4.00	R30-1001102	11.00	R30-1001802	18.00	R30-1003002	30.00
R30-1000502	5.00	R30-1001202	12.00	R30-1002002	20.00	R30-1003202	32.00
R30-1000602	6.00	R30-1001302	13.00	R30-1002102	21.00	R30-1003402	34.00
R30-1000702	7.00	R30-1001402	14.00	R30-1002202	22.00	R30-1003502	35.00
R30-1000802	8.00	R30-1001502	15.00	R30-1002402	24.00	R30-1003602	36.00
R30-1000902	9.00	R30-1001602	16.00	R30-1002502	25.00	R30-1003902	39.00
R30-1001002	10.00	R30-1001702	17.00	R30-1002802	28.00	R30-1004002	40.00

ORDER CODE:  
**R30-100XX02**  
LENGTH LI IN mm

MGP	14	10.03.21	30419
NAME	ISS.	DATE	CN/CO
APPROVED: MGP			
CHECKED: MR			
DRAWN: A. LIOTTA			
CUSTOMER REF.:			
ASSEMBLY DRG:			

## HARWIN

www.harwin.com  
technical@harwin.com

THIS DRAWING AND ANY  
INFORMATION OR DESCRIPTIVE  
MATTER SET OUT HEREON ARE  
CONFIDENTIAL AND COPYRIGHT  
PROPERTY OF THE HARWIN  
GROUP AND MUST NOT BE  
DISCLOSED, LOANED, COPIED  
OR USED FOR MANUFACTURING,  
TENDERING OR FOR ANY  
OTHER PURPOSE WITHOUT  
THEIR WRITTEN PERMISSION.

TOLERANCES  
X. = ±1mm  
X.X = ±0.50mm  
X.XX = ±0.20mm  
X.XXX = ±0.01mm  
ANGLES = ±5°  
UNLESS STATED

MATERIAL:  
BRASS  
CW614N M TO BS EN 12164  
(CuZn39Pb3)  
FINISH: NICKEL  
S/AREA: mm<sup>2</sup>

TITLE:  
M3 HEXAGONAL  
FEMALE SPACER

DRAWING NUMBER:  
**R30-100XX02**

SHT  
2 OF 2

## X-ON Electronics

Largest Supplier of Electrical and Electronic Components

*Click to view similar products for [Standoffs & Spacers](#) category:*

*Click to view products by [Harwin](#) manufacturer:*

Other Similar products are found below :

[588-6208-02](#) [599-9844-02](#) [M0516-3-N](#) [M0518-3-N](#) [M0521-3-N](#) [M0524-3-N](#) [M0532-35-N](#) [M0543-4-AL](#) [M0544-35-N](#) [M0544-3-N](#) [M0545-3-AL](#) [M0553-3-N](#) [M0608-5-SS](#) [M0609-5-SS](#) [M0651-5-SS](#) [M0653-35-N](#) [M0654-4-SS](#) [M0655-5-AL](#) [M0658-35-AL](#) [M0660-4-AL](#) [M0670-35-N](#) [M0671-5-N](#) [M0671-5-SS](#) [M0722-5-N](#) [M0725-6-N](#) [M0904-B-25-AL](#) [M1273-2545-AL](#) [M1273-2545-SS](#) [M1273-3005-AL](#) [M1273-3005-SS](#) [M1274-3005-AL](#) [60187](#) [60202-SP](#) [60273](#) [60335-SP](#) [60348-SP](#) [60419-SP](#) [60425-SP](#) [60473-SP](#) [60475-SP](#) [60477-SP](#) [60489-SP](#) [60491-SP](#) [60585-SP](#) [60762-SP](#) [60763-SP](#) [60872-SP](#) [M1303-3506-AL](#) [M1307-3506-AL](#) [M1314-3005-AL](#)