

# Customer Information Sheet

DRAWING No.: R6003-00 - R6022-00

SHEET 2 OF 2

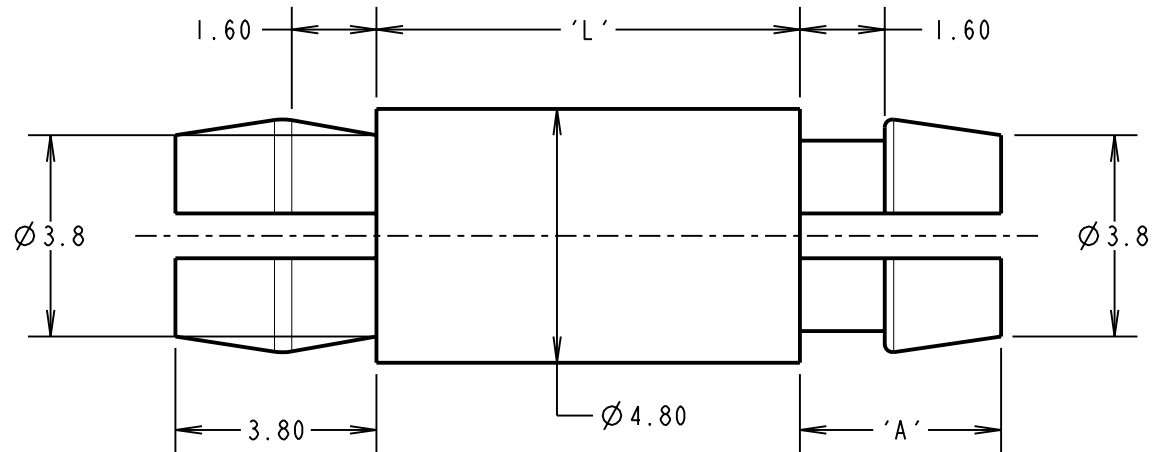
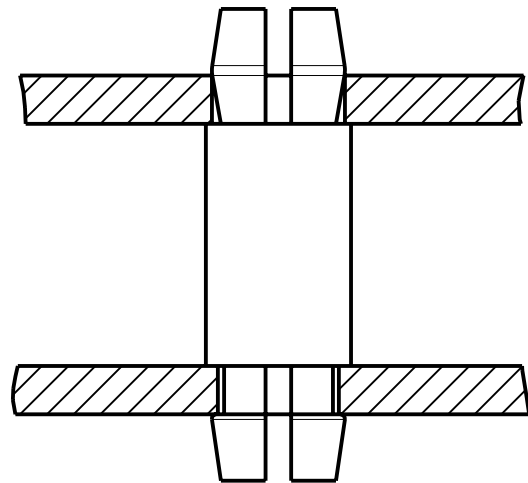
IF IN DOUBT - ASK

©

NOT TO SCALE

THIRD ANGLE PROJECTION

ALL DIMENSIONS IN mm



PART No.	'L'	'A'
R6003-00	3.20	3.80
R6006-00	6.30	3.80
R6008-00	8.00	3.80
R6010-00	10.50	3.80
R6013-00	12.70	5.60
R6022-00	22.20	5.60

**NOTES:**

- SUITABLE FOR 1.6mm THICK PCB.
- RECOMMENDED HOLE SIZE =  $\varnothing 4.0\text{mm} \pm 0.1\text{mm}$  FOR BOTH ENDS.

ORDER CODE:

**R60XX-00**

LENGTH 'L' IN mm

CP	8	04.03.10	10702
NAME	ISS.	DATE	C/NOTE
APPROVED: C.PENROSE			
CHECKED:		R.ADDE	
DRAWN:		J.KEIR	
CUSTOMER REF.:			
ASSEMBLY DRG:			

**HARWIN**

THIS DRAWING AND ANY INFORMATION OR DESCRIPTIVE MATTER SET OUT HEREON ARE CONFIDENTIAL AND COPYRIGHT PROPERTY OF THE HARWIN GROUP AND MUST NOT BE DISCLOSED, LOANED, COPIED OR USED FOR MANUFACTURING, TENDERING OR FOR ANY OTHER PURPOSE WITHOUT THEIR WRITTEN PERMISSION.

**TOLERANCES**

X. =  $\pm 1\text{mm}$   
 X.X =  $\pm 0.25\text{mm}$   
 X.XX =  $\pm 0.10\text{mm}$   
 X.XXX =  $\pm 0.01\text{mm}$   
 ANGLES =  $\pm 5^\circ$   
 UNLESS STATED

**MATERIAL:**

NYLON 66, UL94V-2  
 NATURAL

FINISH: CLEAN

S/AREA: mm<sup>2</sup>

**TITLE:**

PLASTIC SPACER  
 SELF LOCKING

**DRAWING NUMBER:**

**R6003-00 - R6022-00**

SHT

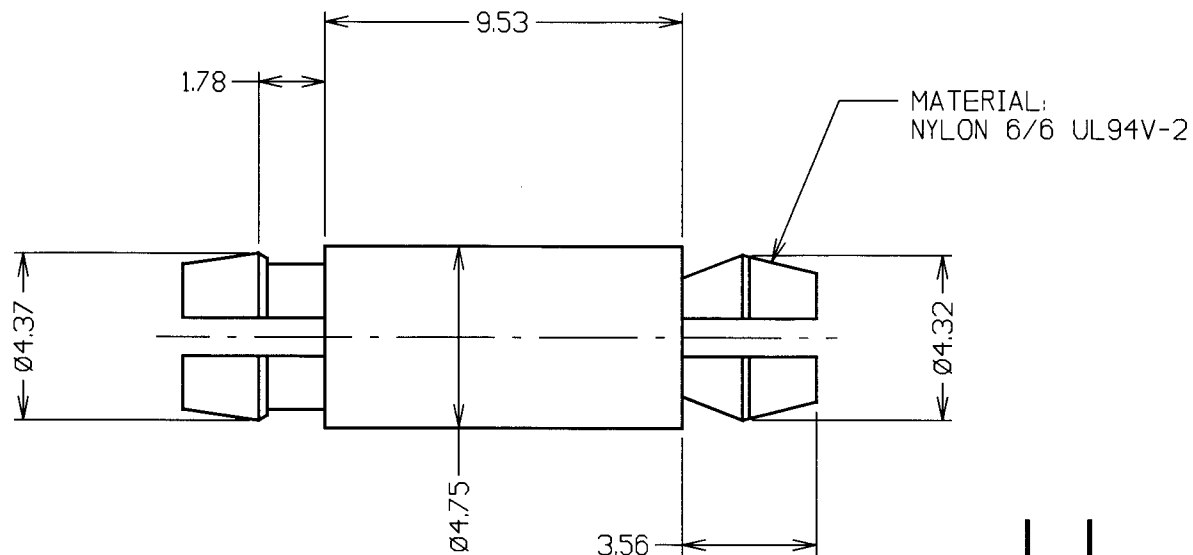
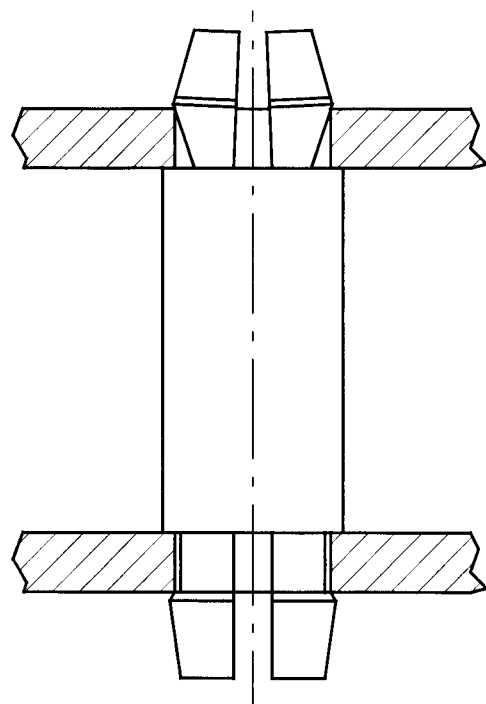
2 OF 2

HARWIN USA  
 TEL: 603 893 5376  
 FAX: 603 893 5396  
 mis@harwin.com

HARWIN Europe (UK)  
 TEL: 023 9231 4545  
 FAX: 023 9231 4590  
 mis@harwin.co.uk

HARWIN Asia  
 TEL: +65 6 779 4909  
 FAX: +65 6 779 3868  
 mis@harwin.com.sg

CUSTOMER INFORMATION SHEET



NOTES:

1. SUTABLE FOR 1.6mm THICK PCB.
2. RECOMMENDED HOLE SIZE  $\varnothing 4.0\text{mm}$  FOR BOTH ENDS.
3. ALL TOLERANCES  $\pm 0.13\text{mm}$  UNLESS OTHERWISE STATED.

5	03.03.97	----
ISS.	DATE	C/N
APPROVED:		
CHECKED: <i>WJSB</i>		
DRAWN: A. LIOTTA		
CUSTOMER REF.		
ASSEMBLY DRG:		

**HARWIN**

HARWIN INC U.S.A. TEL: (812) 285 0055 FAX: (812) 285 0056	HARWIN PLC U.K. TEL: 01705 370451 FAX: 01705 314590	HARWIN PTE SINGAPORE TEL: 65 7794909 FAX: 65 7793868	HARWIN CONNECTORS KOREA TEL: 822 521 0747 FAX: 822 521 0749
--	--	---	--

TOLERANCES X. = $\pm 1\text{mm}$ X.X = $\pm 0.25\text{mm}$ X.XX = $\pm 0.10\text{mm}$ X.XXX = $\pm 0.01\text{mm}$ ANGLES = $\pm 1^\circ$ UNLESS STATED
--

MATERIAL: SEE ABOVE
FINISH: CLEAN
S/AREA: mm <sup>2</sup>

TITLE: PLASTIC SPACER SELF LOCKING
DRAWING NUMBER: R6009-00
SHT 2 OF 2

## X-ON Electronics

Largest Supplier of Electrical and Electronic Components

*Click to view similar products for [Standoffs & Spacers](#) category:*

*Click to view products by [Harwin](#) manufacturer:*

Other Similar products are found below :

[588-6208-02](#) [599-9844-02](#) [M0516-3-N](#) [M0518-3-N](#) [M0521-3-N](#) [M0524-3-N](#) [M0532-35-N](#) [M0543-4-AL](#) [M0544-35-N](#) [M0544-3-N](#) [M0545-3-AL](#) [M0553-3-N](#) [M0608-5-SS](#) [M0609-5-SS](#) [M0651-5-SS](#) [M0653-35-N](#) [M0654-4-SS](#) [M0655-5-AL](#) [M0658-35-AL](#) [M0660-4-AL](#) [M0670-35-N](#) [M0671-5-N](#) [M0671-5-SS](#) [M0722-5-N](#) [M0725-6-N](#) [M0904-B-25-AL](#) [M1273-2545-AL](#) [M1273-2545-SS](#) [M1273-3005-AL](#) [M1273-3005-SS](#) [M1274-3005-AL](#) [60187](#) [60202-SP](#) [60273](#) [60348-SP](#) [60419-SP](#) [60425-SP](#) [60473-SP](#) [60475-SP](#) [60477-SP](#) [60489-SP](#) [60491-SP](#) [60585-SP](#) [60762-SP](#) [60763-SP](#) [60872-SP](#) [M1303-3506-AL](#) [M1307-3506-AL](#) [M1314-3005-AL](#) [M1314-3005-SS](#)