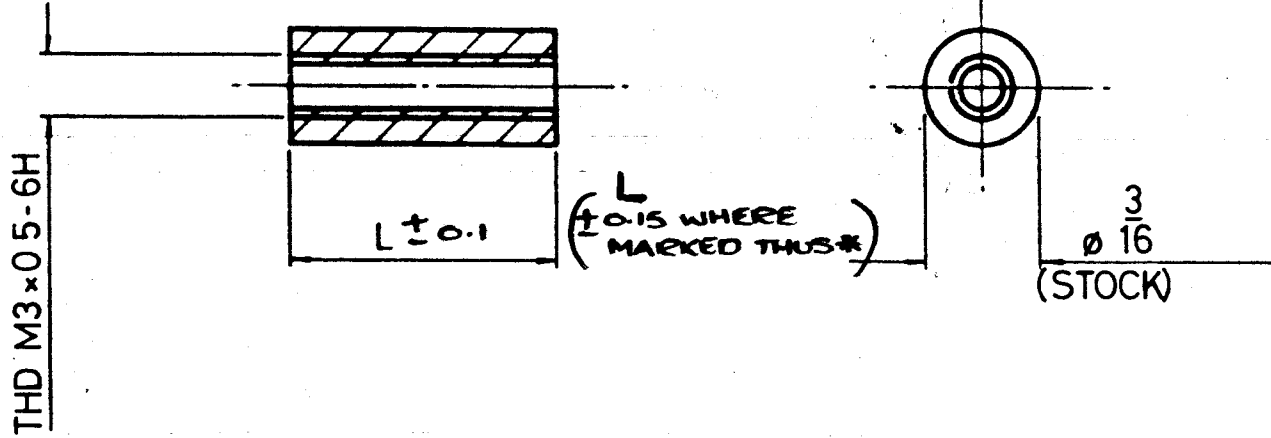


DRAWING NUMBER
R6350-02 —
R6355-02



THIRD ANGLE PROJECTION

DO NOT SCALE



NOTE

1. THD. TO BE MANU. IN ACCORDANCE WITH BS 3643 PT.2 1966
2. 0.25 CHAMFER FOR LEAD IN ON THREAD. REMOVE ALL BURRS.

R 6350-02	9.878	.125	3.18	13	1081
R6355 - 02	485.873	.750	*19.05	12	8/186 932
R6354 - 02	408.592	.625	*15.88	11	5-3-79 FINISH WAS DTP 9/9
R6353 - 02	331.066	.500	12.70	10	1-11-78 WAS MA 1115/2.0 TO MA 1119/2.0
R6352 - 02	253.785	.375	9.52	1	4572
R6351 - 02	176.260	.250	6.35	ISS. DATE CHANGE	
PART NO	SURFACE AREA MM ²	IN	mm	APPD. <i>[Signature]</i>	
		L		CHKD. <i>[Signature]</i>	
				DRAWN <i>[Signature]</i>	
				OLD REF. R6051/30 - R6055/30	
				ASSY. DRAWING	

HARWIN ENGINEERS S.A.
PORTSMOUTH PO6 IRT

MATERIAL BRASS BS2874 CZ121

FINISH (NICKEL PLATE) F0201

TITLE

THREADED SPACER - ROUND

TOLERANCES

FRAC. ± 1/64 DEC ± .005 MM ±

DIMS. IN INCH (mm) SCALE —

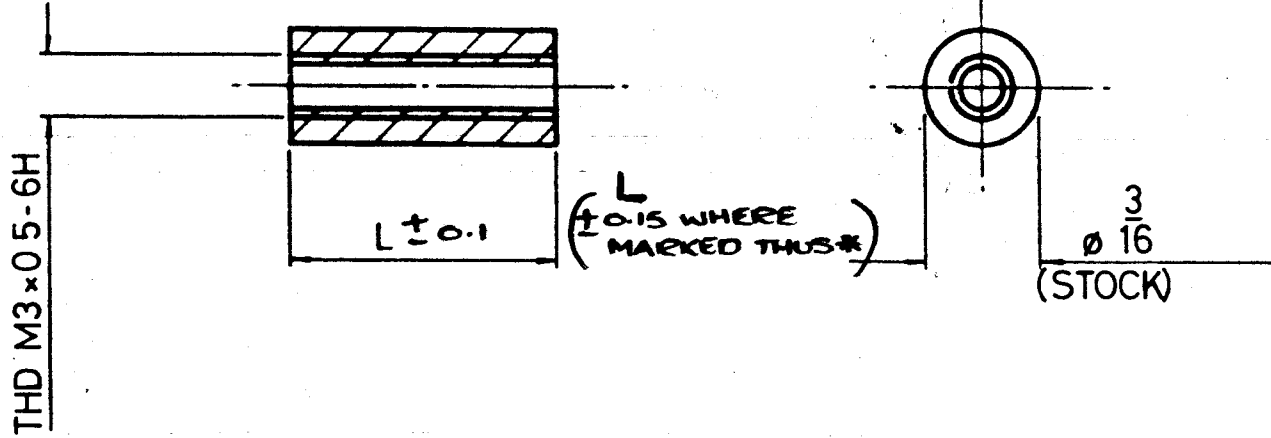
DRAWING NUMBER
R6350-02 —
R6355-02

DRAWING NUMBER
R6350-02 —
R6355-02



THIRD ANGLE PROJECTION

DO NOT SCALE



NOTE

1. THD. TO BE MANU. IN ACCORDANCE WITH BS 3643 PT.2 1966
2. 0.25 CHAMFER FOR LEAD IN ON THREAD. REMOVE ALL BURRS.

R 6350-02	9.878	.125	3.18	13	1081
R6355 - 02	485.873	.750	*19.05	12	8/186 932
R6354 - 02	408.592	.625	*15.88	11	5-3-79 FINISH WAS DTP 9/9
R6353 - 02	331.066	.500	12.70	10	1-11-78 WAS MA 1115/2.0 TO MA 1119/2.0
R6352 - 02	253.785	.375	9.52	1	4572
R6351 - 02	176.260	.250	6.35	ISS. DATE CHANGE	
PART NO	SURFACE AREA MM ²	IN	mm	APPD. <i>[Signature]</i>	
		L		CHKD. <i>[Signature]</i>	
				DRAWN <i>[Signature]</i>	
				OLD REF. R6051/30 - R6055/30	
				ASSY. DRAWING	

HARWIN ENGINEERS S.A.
PORTSMOUTH PO6 1RT

MATERIAL BRASS BS2874 CZ121

FINISH (NICKEL PLATE) F0201

TITLE

THREADED SPACER - ROUND

TOLERANCES

FRAC. ± 1/64 DEC ± .005 MM ±

DIMS. IN INCH (mm) SCALE —

DRAWING NUMBER
R6350-02 —
R6355-02

X-ON Electronics

Largest Supplier of Electrical and Electronic Components

Click to view similar products for [Standoffs & Spacers](#) category:

Click to view products by [Harwin](#) manufacturer:

Other Similar products are found below :

[588-6208-02](#) [599-9844-02](#) [M0516-3-N](#) [M0518-3-N](#) [M0521-3-N](#) [M0524-3-N](#) [M0532-35-N](#) [M0543-4-AL](#) [M0544-35-N](#) [M0544-3-N](#) [M0545-3-AL](#) [M0553-3-N](#) [M0608-5-SS](#) [M0609-5-SS](#) [M0651-5-SS](#) [M0653-35-N](#) [M0654-4-SS](#) [M0655-5-AL](#) [M0658-35-AL](#) [M0660-4-AL](#) [M0670-35-N](#) [M0671-5-N](#) [M0671-5-SS](#) [M0722-5-N](#) [M0725-6-N](#) [M0904-B-25-AL](#) [M1273-2545-AL](#) [M1273-2545-SS](#) [M1273-3005-AL](#) [M1273-3005-SS](#) [M1274-3005-AL](#) [60187](#) [60202-SP](#) [60273](#) [60348-SP](#) [60419-SP](#) [60425-SP](#) [60473-SP](#) [60475-SP](#) [60477-SP](#) [60489-SP](#) [60491-SP](#) [60585-SP](#) [60762-SP](#) [60763-SP](#) [60872-SP](#) [M1303-3506-AL](#) [M1307-3506-AL](#) [M1314-3005-AL](#) [M1314-3005-SS](#)