

# Customer Information Sheet

DRAWING No.: S1001-46R

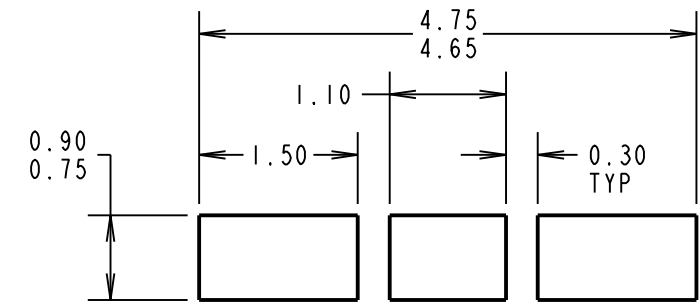
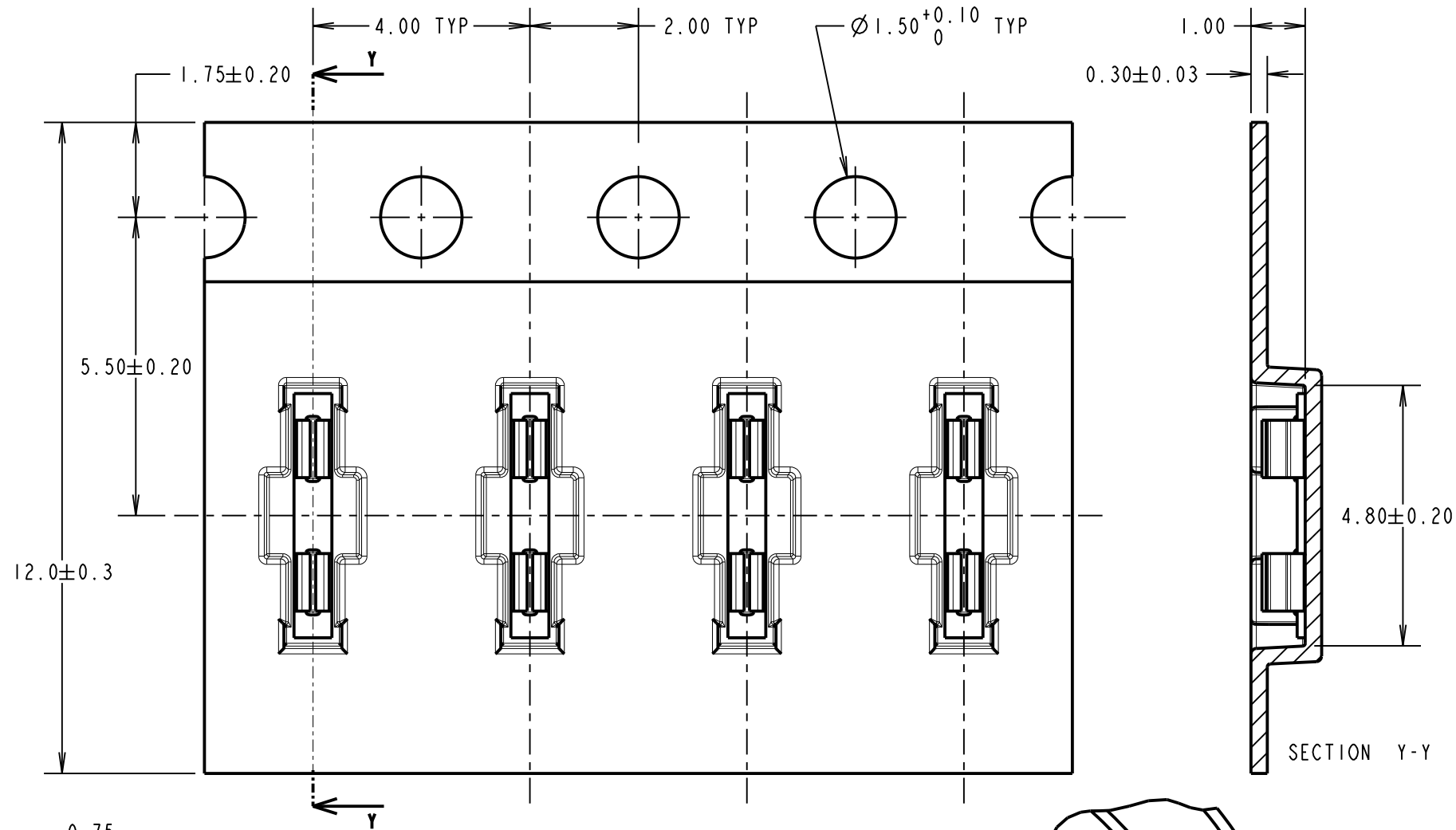
IF IN DOUBT - ASK

©

NOT TO SCALE

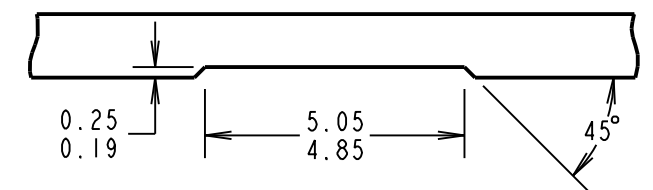
THIRD ANGLE PROJECTION

ALL DIMENSIONS IN mm



RECOMMENDED PAD LAYOUT

RECOMMENDED SHIELD CAN CUT OUT



**SPECIFICATION:**

**MATERIAL:**

CONTACT = STAINLESS STEEL

**ELECTRICAL:**

RESISTANCE = 100mΩ MAX

**MECHANICAL:**

INSERTION FORCE = 19.7N MAX

WITHDRAWAL FORCE = 0.98N MIN

DURABILITY = 10 CYCLES

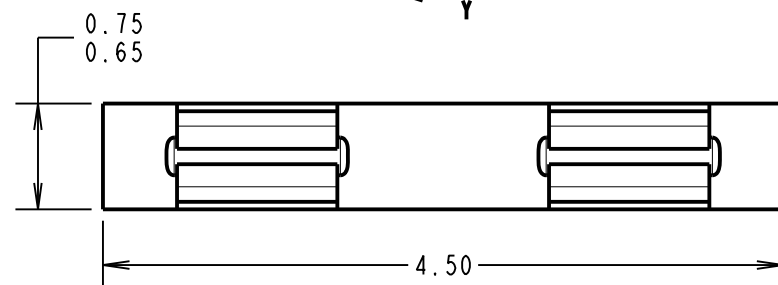
**ENVIRONMENTAL:**

OPERATING TEMPERATURE = -40°C TO +150°C

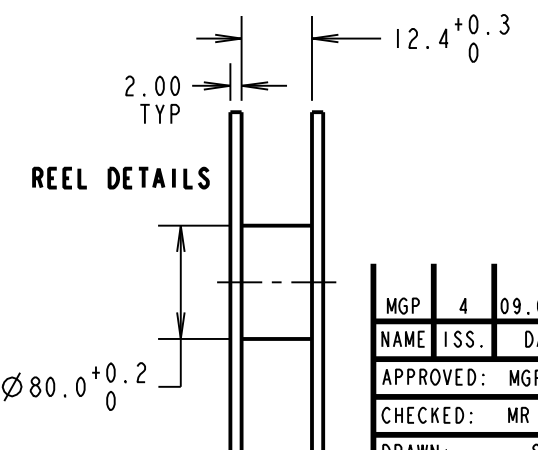
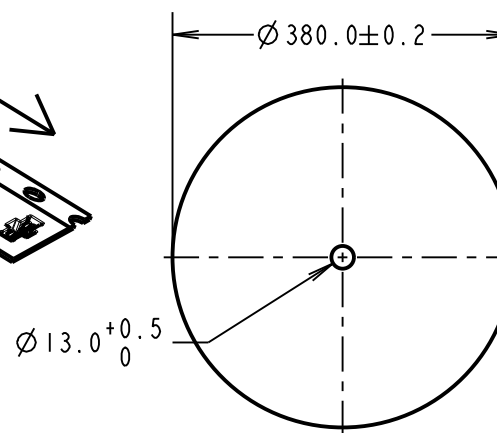
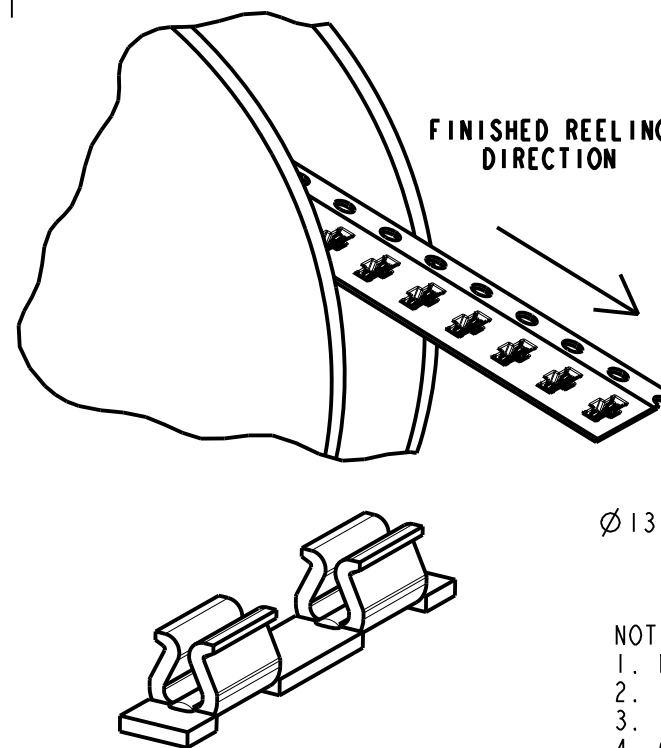
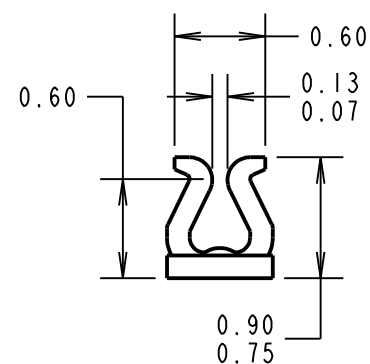
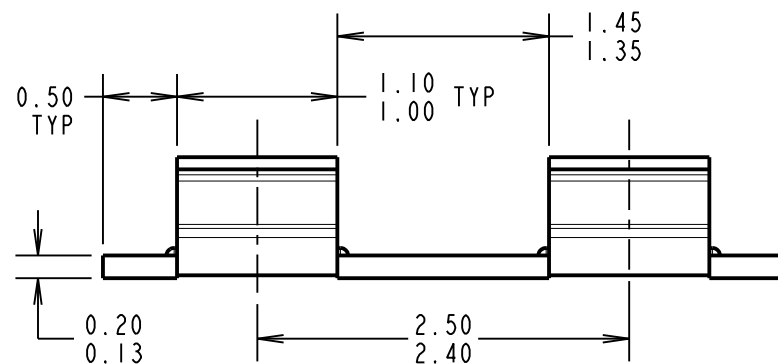
STORAGE TEMPERATURE = -40°C TO 85°C

**PACKAGING:**

TAPE AND REEL PACKED IN BOX



COMPONENT DETAILS



REEL DETAILS

**NOTES:**

1. MAXIMUM PERMISSIBLE BURR IS 0.03mm MAX.
2. FINISH = 2.0µm - 3.0µm TIN OVER 0.4µm - 1.2µm NICKEL.
3. FOR USE WITH 0.15 - 0.20mm THICK SHIELD CANS.
4. QUANTITY PER REEL = 20,000. 11 REELS PACKED IN BOX.

MGP	4	09.06.20	30053
NAME	ISS.	DATE	CN/CO
APPROVED: MGP			
CHECKED: MR			
DRAWN: S.BENNETT			
CUSTOMER REF.:			
ASSEMBLY DRG:			

**HARWIN**

www.harwin.com  
technical@harwin.com

THIS DRAWING AND ANY INFORMATION OR DESCRIPTIVE MATTER SET OUT HEREON ARE CONFIDENTIAL AND COPYRIGHT PROPERTY OF THE HARWIN GROUP AND MUST NOT BE DISCLOSED, LOANED, COPIED OR USED FOR MANUFACTURING, TENDERING OR FOR ANY OTHER PURPOSE WITHOUT THEIR WRITTEN PERMISSION.

**TOLERANCES**

X. = ±1mm  
X.X = ±0.50mm  
X.XX = ±0.20mm  
X.XXX = ±0.01mm  
ANGLES = ±5°  
UNLESS STATED

**MATERIAL:**

SEE ABOVE

**FINISH:**

SEE ABOVE

**S/AREA:**

mm<sup>2</sup>

**TITLE:**

SURFACE MOUNT RFI SHIELD CLIP IN TAPE AND REEL

**DRAWING NUMBER:**

S1001-46R

SHT  
2  
OF  
2

## X-ON Electronics

Largest Supplier of Electrical and Electronic Components

*Click to view similar products for [EMI Gaskets, Sheets, Absorbers & Shielding](#) category:*

*Click to view products by [Harwin](#) manufacturer:*

Other Similar products are found below :

[8101010140](#) [8563-0090-89](#) [1194-7.7X10](#) [1245-34"X18YD](#) [1267](#) [1345-3/8x18yrd](#) [1380-2"X8"](#) [1554907-1](#) [2320002000](#) [2320014700](#)  
[SG293037DS](#) [ST005PCN50](#) [3070-500-STD](#) [55005107](#) [38M4040AA0606](#) [46J5N02020.NN00](#) [1125-8X10](#) [1126X1"](#) [1170-3/4X18YDS](#) [1170-7.7x10](#) [1183-12"X18YD](#) [6-34T-BD-0.315](#) [SG125187D-24](#) [SG125250R-24](#) [SG187375R-24](#) [SG284050DS](#) [8402010540](#) [KIT TECH CLIP](#)  
[1194](#) [10-40450-28S](#) [1245](#) [3013350A](#) [1267-1/2"x18yd](#) [46J8501020.NN00](#) [1170-1/4"x18yd](#) [3013310A](#) [1194X1"](#) [3020604](#) [3021302](#) [3031313](#)  
[3021310](#) [6-34UT-070-BD-16](#) [303076048](#) [46J5N03020.NN00](#) [30395641](#) [3030403](#) [3690103020](#) [HNY-LT15CU4241](#) [46X7501020.NN00](#)  
[1170-3/8"x18yd](#)