

Customer Information Sheet

DRAWING No.: S1711-XX

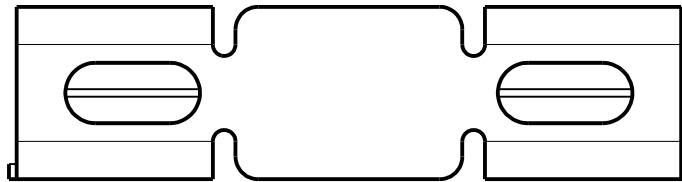
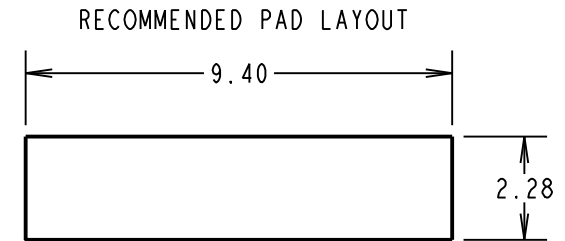
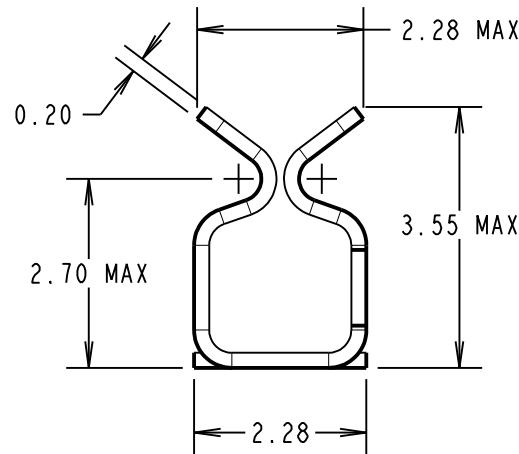
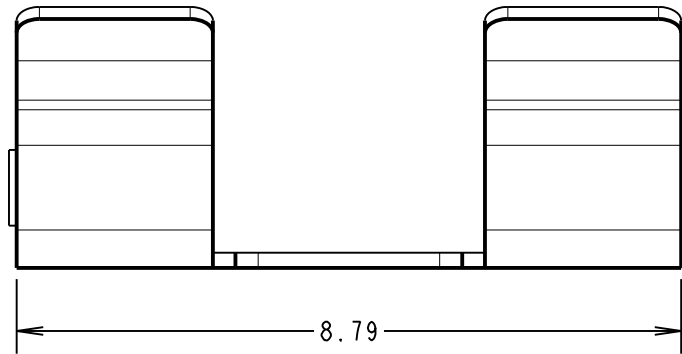
IF IN DOUBT - ASK

(C)

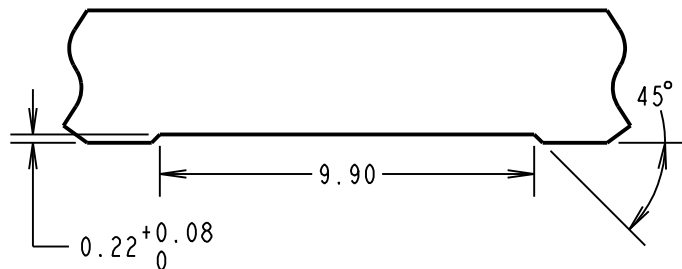
NOT TO SCALE

THIRD ANGLE PROJECTION

ALL DIMENSIONS IN mm



RECOMMENDED SHIELD CAN CUT OUT



NOTES:

- FOR TAPE AND REELED VERSION, SEE DRAWING S1711-XXR.
- SUPPLIED IN A STRIP OF 100, PACKED IN A BAG.

SPECIFICATION:

MATERIAL = BERYLLIUM COPPER

FINISH:

- 06 = 2.5-3.5 μ TIN/LEAD, OVER 2.0-4.0 μ NICKEL
- 46 = 2.4-3.6 μ 100% TIN, OVER 2.4-3.6 μ NICKEL

ELECTRICAL:

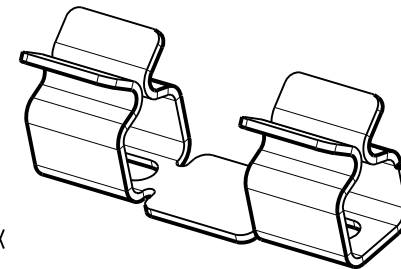
CONTACT RESISTANCE = 20m Ω MAX

ENVIRONMENTAL:

OPERATING TEMPERATURE = -40°C TO +125°C

MECHANICAL:

- INSERTION FORCE (AFTER CONDITIONING) = 4N MAX
- WITHDRAWAL FORCE = 0.5N MIN
- DURABILITY = 20 INSERTIONS MINIMUM
- SHIELD THICKNESS = 0.17mm - 0.30mm



ORDER CODE:

S1711-XX

FINISH:

- 06 = TIN/LEAD OVER NICKEL
- 46 = 100% TIN OVER NICKEL

MSP	9	03.08.17	20719
NAME	ISS.	DATE	C/NOTE
APPROVED:		M.PERREN	
CHECKED:		S.BENNETT	
DRAWN:		J.ENRIGHT	
CUSTOMER REF.:			
ASSEMBLY DRG:			

HARWIN

www.harwin.com
technical@harwin.com

THIS DRAWING AND ANY INFORMATION OR DESCRIPTIVE MATTER SET OUT HEREON ARE CONFIDENTIAL AND COPYRIGHT PROPERTY OF THE HARWIN GROUP AND MUST NOT BE DISCLOSED, LOANED, COPIED OR USED FOR MANUFACTURING, TENDERING OR FOR ANY OTHER PURPOSE WITHOUT THEIR WRITTEN PERMISSION.

TOLERANCES

- X. = ± 1 mm
- X.X = ± 0.50 mm
- X.XX = ± 0.10 mm
- X.XXX = ± 0.01 mm
- ANGLES = $\pm 5^\circ$
- UNLESS STATED

MATERIAL:

SEE ABOVE

FINISH: SEE ABOVE

S/AREA: mm²

TITLE:

SMT RFI SHIELD CLIP
(LOOSE)

DRAWING NUMBER:

S1711-XX

SHT
2 OF 2

X-ON Electronics

Largest Supplier of Electrical and Electronic Components

Click to view similar products for [Circuit Board Hardware - PCB category](#):

Click to view products by [Harwin manufacturer](#):

Other Similar products are found below :

[8919-0-00-15-00-00-03-0](#) [0135-0-15-01-30-27-04-0](#) [5970-1-15-01-32-14-04-0](#) [0149-0-15-15-30-27-04-0](#) [MBI 1 BLUE](#) [7305-0-15-15-47-14-10-0](#) [MLN 150/1 BLACK](#) [8579-0-15-80-11-27-10-0](#) [8579-1-15-15-11-27-10-0](#) [8830-0-15-01-22-14-10-0](#) [8836-0-00-21-00-00-03-0](#) [PRUEF 2 RED](#) [9976-0-00-00-00-00-03-0](#) [PW1616](#) [1215-3-05-00-00-00-01-0](#) [1231](#) [1303-0-15-15-47-14-04-0](#) [1404-3](#) [1404-4](#) [1406-4](#) [1407-3](#) [1406-3](#) [1407-4](#) [1408-3](#) [1424-4](#) [1427-3](#) [1419-4](#) [1426-4](#) [1548-103](#) [1938-0-00-00-00-00-03-0](#) [1942-0-00-00-00-00-03-0](#) [2101-3-00-44-00-00-07-0](#) [2108-2-00-50-00-00-07-0](#) [2109-2-00-44-00-00-07-0](#) [2110-2-00-44-00-00-07-0](#) [2111-2-00-00-00-00-07-0](#) [2113-4-00-44-00-00-07-0](#) [2301-3-00-44-00-00-07-0](#) [2308-1-00-50-00-00-07-0](#) [2313-2-00-00-00-00-07-0](#) [2315-2-01-44-00-00-07-0](#) [2333-1-00-50-00-00-07-0](#) [9000-0-00-00-00-00-03-0](#) [2506-2-00-50-00-00-07-0](#) [2507-2-01-44-00-00-07-0](#) [2508-2-00-44-00-00-07-0](#) [2561-2-00-44-00-00-07-0](#) [9220](#) [9234-0-15-15-30-14-10-0](#) [LAS S G BLACK](#)