

Customer Information Sheet

DRAWING No.: S1711-XXR

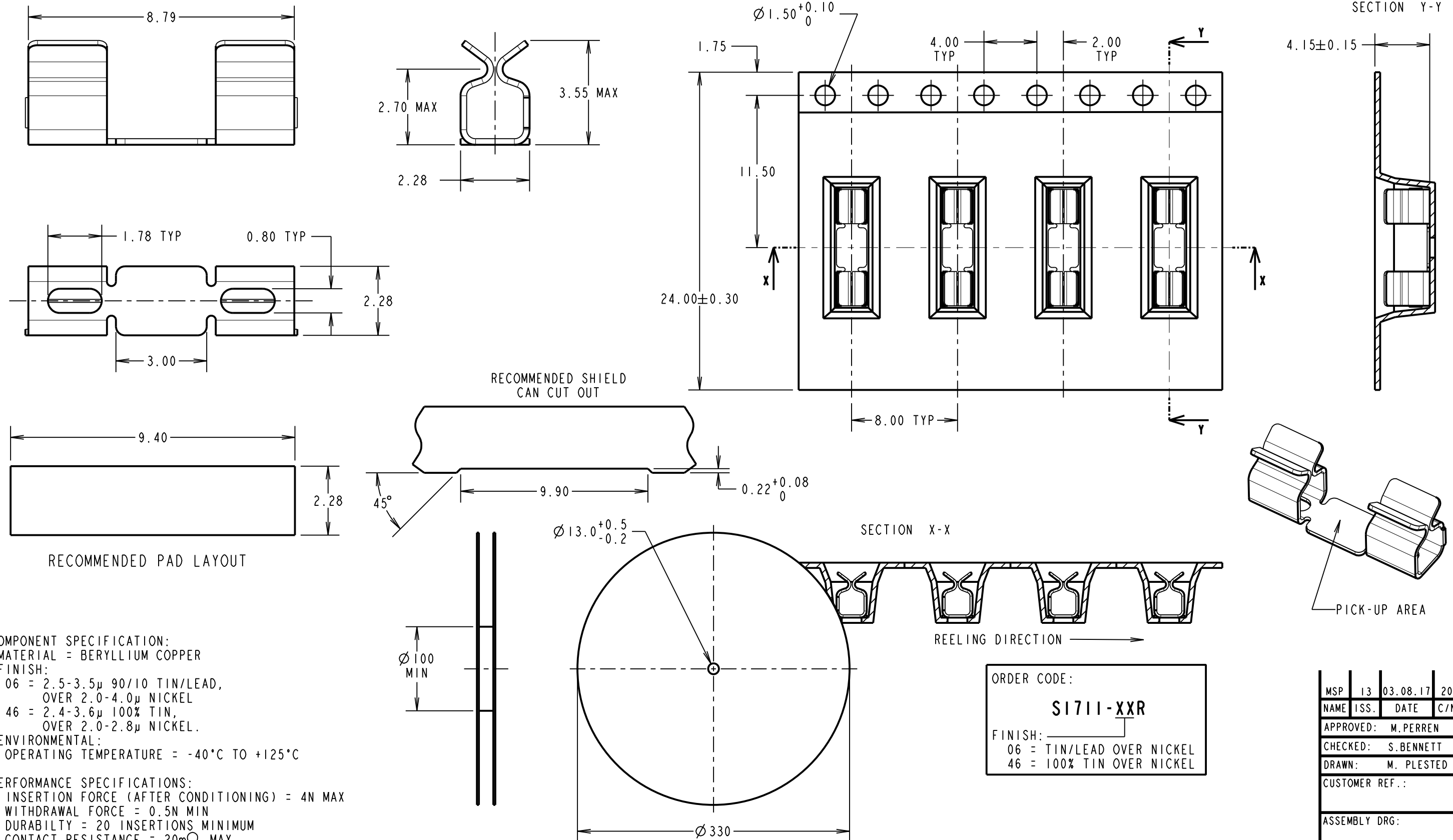
IF IN DOUBT - ASK

©

NOT TO SCALE

THIRD ANGLE PROJECTION

ALL DIMENSIONS IN mm



COMPONENT SPECIFICATION:
 MATERIAL = BERYLLIUM COPPER
 FINISH:
 06 = 2.5-3.5 μ 90/10 TIN/LEAD,
 OVER 2.0-4.0 μ NICKEL
 46 = 2.4-3.6 μ 100% TIN,
 OVER 2.0-2.8 μ NICKEL.
ENVIRONMENTAL:
 OPERATING TEMPERATURE = -40°C TO +125°C

PERFORMANCE SPECIFICATIONS:
 INSERTION FORCE (AFTER CONDITIONING) = 4N MAX
 WITHDRAWAL FORCE = 0.5N MIN
 DURABILITY = 20 INSERTIONS MINIMUM
 CONTACT RESISTANCE = 20m Ω MAX
 SHIELD THICKNESS = 0.17mm - 0.30mm

NOTES:
 1. QUANTITY PER REEL = 1,900.
 2. THIS PRODUCT IS TAPED AND REELED IN ACCORDANCE WITH EIA-481 (ELECTRONIC INDUSTRIES ASSOCIATION).

HARWIN
 www.harwin.com
 technical@harwin.com

THIS DRAWING AND ANY INFORMATION OR DESCRIPTIVE MATTER SET OUT HEREON ARE CONFIDENTIAL AND COPYRIGHT PROPERTY OF THE HARWIN GROUP AND MUST NOT BE DISCLOSED, LOANED, COPIED OR USED FOR MANUFACTURING, TENDERING OR FOR ANY OTHER PURPOSE WITHOUT THEIR WRITTEN PERMISSION.

TOLERANCES
 X. = ±1mm
 X.X = ±0.25mm
 X.XX = ±0.10mm
 X.XXX = ±0.01mm
 ANGLES = ±5°
 UNLESS STATED

MATERIAL: SEE ABOVE
FINISH: SEE ABOVE
S/AREA: mm²

TITLE: SMT RFI SHIELD CLIP IN TAPE AND REEL
DRAWING NUMBER: S1711-XXR
 SHT 2 OF 2

MSP	13	03.08.17	20719
NAME	ISS.	DATE	C/NOTE
APPROVED: M. PERREN			
CHECKED: S. BENNETT			
DRAWN: M. PLESTED			
CUSTOMER REF.:			
ASSEMBLY DRG:			

X-ON Electronics

Largest Supplier of Electrical and Electronic Components

Click to view similar products for [EMI Gaskets, Sheets, Absorbers & Shielding](#) category:

Click to view products by [Harwin](#) manufacturer:

Other Similar products are found below :

[8101010140](#) [8563-0090-89](#) [1194-7.7X10](#) [1245-34"X18YD](#) [1267](#) [1345-3/8x18yrd](#) [1380-2"X8"](#) [1554907-1](#) [2320002000](#) [2320014700](#)
[SG293037DS](#) [ST005PCN50](#) [3070-500-STD](#) [55005107](#) [38M4040AA0606](#) [46J5N02020.NN00](#) [1125-8X10](#) [1126X1"](#) [1170-3/4X18YDS](#) [1170-7.7x10](#) [1183-12"X18YD](#) [6-34T-BD-0.315](#) [SG125187D-24](#) [SG125250R-24](#) [SG187375R-24](#) [SG284050DS](#) [8402010540](#) [KIT TECH CLIP](#)
[1194](#) [10-40450-28S](#) [1245](#) [3013350A](#) [1267-1/2"x18yd](#) [46J8501020.NN00](#) [1170-1/4"x18yd](#) [3013310A](#) [1194X1"](#) [3020604](#) [3021302](#) [3031313](#)
[3021310](#) [6-34UT-070-BD-16](#) [303076048](#) [46J5N03020.NN00](#) [30395641](#) [3030403](#) [3690103020](#) [HNY-LT15CU4241](#) [46X7501020.NN00](#)
[1170-3/8"x18yd](#)