

Customer Information Sheet

DRAWING No.: S1961-46R

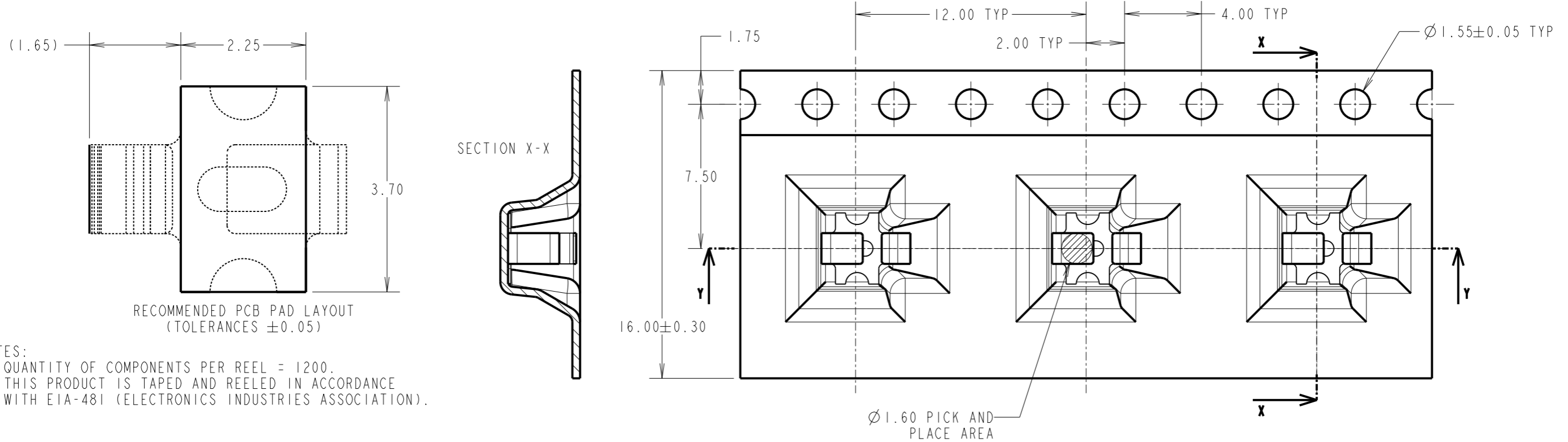
IF IN DOUBT - ASK

©

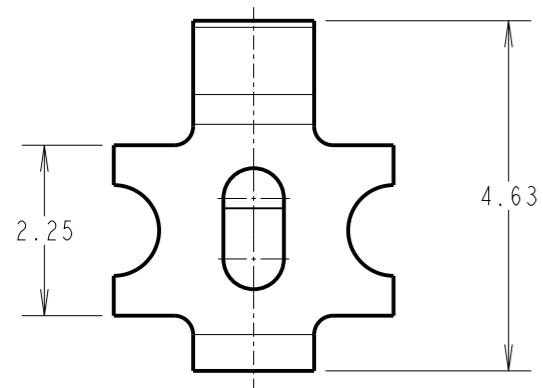
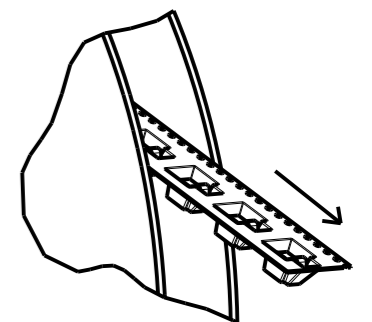
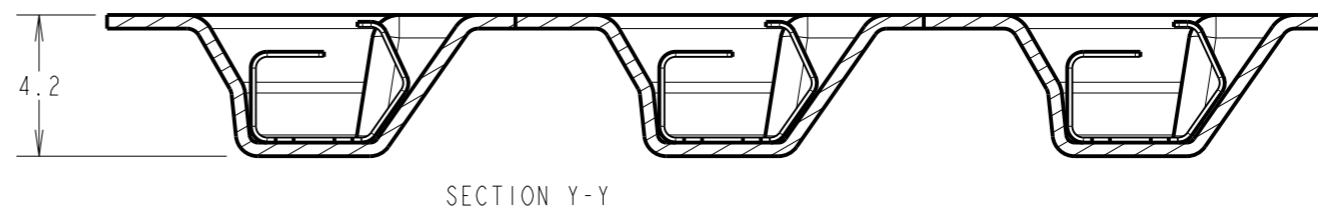
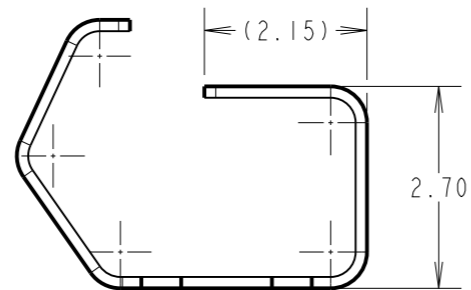
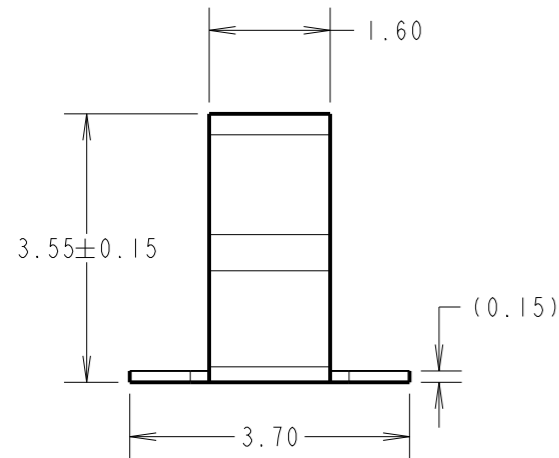
NOT TO SCALE

THIRD ANGLE PROJECTION

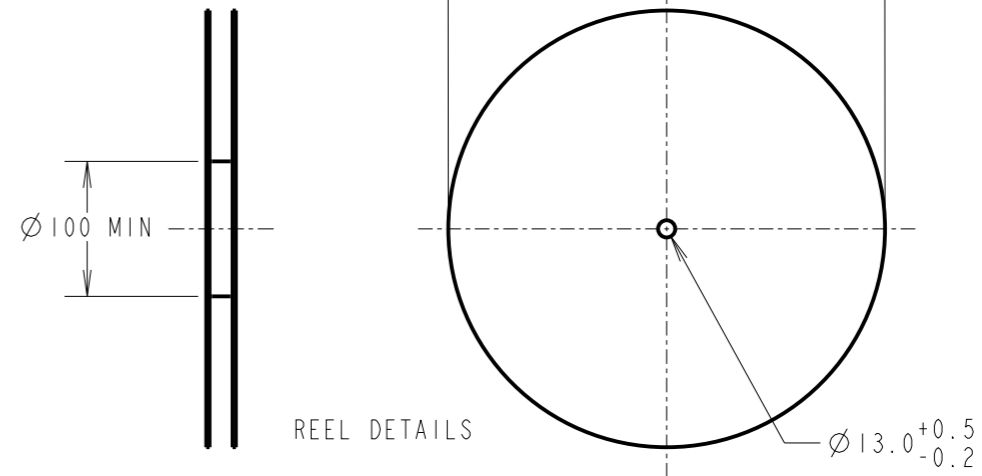
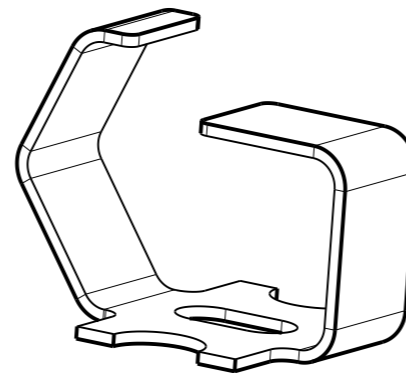
ALL DIMENSIONS IN mm



- NOTES:
1. QUANTITY OF COMPONENTS PER REEL = 1200.
 2. THIS PRODUCT IS TAPED AND REELED IN ACCORDANCE WITH EIA-481 (ELECTRONICS INDUSTRIES ASSOCIATION).



COMPONENT DETAILS



RTP	3	14.01.22	31314
NAME	ISS.	DATE	CN/CO
APPROVED: R.PORTLOCK			
CHECKED: M.RUDKIN			
DRAWN: R.PORTLOCK			
CUSTOMER REF.:			
ASSEMBLY DRG:			

HARWIN

www.harwin.com
technical@harwin.com

THIS DRAWING AND ANY INFORMATION OR DESCRIPTIVE MATTER SET OUT HEREON ARE CONFIDENTIAL AND COPYRIGHT PROPERTY OF THE HARWIN GROUP AND MUST NOT BE DISCLOSED, LOANED, COPIED OR USED FOR MANUFACTURING, TENDERING OR FOR ANY OTHER PURPOSE WITHOUT THEIR WRITTEN PERMISSION.

TOLERANCES
X. = ± 1 mm
X.X = ± 0.50 mm
X.XX = ± 0.20 mm
X.XXX = ± 0.01 mm
ANGLES = $\pm 5^\circ$
UNLESS STATED

MATERIAL: SEE SHEET 3
FINISH: SEE SHEET 3
S/AREA: mm²

TITLE: MULTI-DIRECTIONAL SPRING CONTACT IN TAPE AND REEL

DRAWING NUMBER: S1961-46R

SHT 2 OF 3

Customer Information Sheet

DRAWING No.: S1961-46R

IF IN DOUBT - ASK

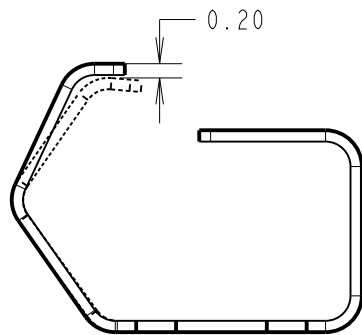


NOT TO SCALE

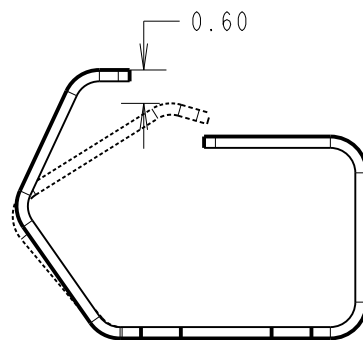
THIRD ANGLE PROJECTION

ALL DIMENSIONS IN mm

S1961-46R DEFLECTION FROM ABOVE

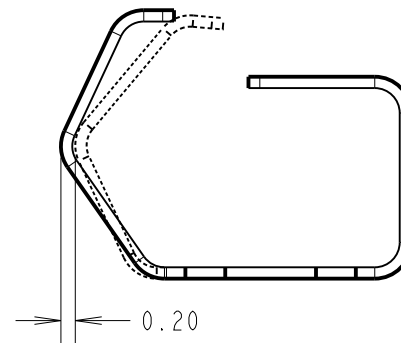


RECOMMENDED WORKING HEIGHT
DEFLECTION = 0.20mm,
MINIMUM FORCE OF 1.2N

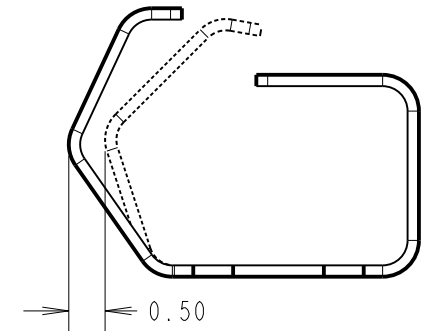


RECOMMENDED MINIMUM HEIGHT
DEFLECTION = 0.60mm

S1961-46R DEFLECTION FROM FRONT



RECOMMENDED WORKING LENGTH
DEFLECTION = 0.20mm,
MINIMUM FORCE OF 1.2N



RECOMMENDED MINIMUM LENGTH
DEFLECTION = 0.50mm

COMPONENT SPECIFICATION:
MATERIAL = CUPRO NICKEL
FINISH = 3µm 100% TIN OVER 2µm NICKEL
ELECTRICAL:
CURRENT RATING = 14A
CONTACT RESISTANCE = 2mΩ MAX.
MECHANICAL:
DURABILITY = 5,000 CYCLES
OPERATING TEMPERATURE: -55°C to +125°C

RTP	3	14.01.22	31314
NAME	ISS.	DATE	CN/CO
APPROVED: R.PORTLOCK			
CHECKED: M.RUDKIN			
DRAWN: R.PORTLOCK			
CUSTOMER REF.:			
ASSEMBLY DRG:			

HARWIN

www.harwin.com
technical@harwin.com

THIS DRAWING AND ANY
INFORMATION OR DESCRIPTIVE
MATTER SET OUT HEREON ARE
CONFIDENTIAL AND COPYRIGHT
PROPERTY OF THE HARWIN
GROUP AND MUST NOT BE
DISCLOSED, LOANED, COPIED
OR USED FOR MANUFACTURING,
TENDERING OR FOR ANY
OTHER PURPOSE WITHOUT
THEIR WRITTEN PERMISSION.

TOLERANCES
X. = ±1mm
X.X = ±0.50mm
X.XX = ±0.20mm
X.XXX = ±0.01mm
ANGLES = ±5°
UNLESS STATED

MATERIAL:
SEE ABOVE

FINISH: SEE ABOVE

S/AREA: mm²

TITLE:
MULTI-DIRECTIONAL SPRING CONTACT
IN TAPE AND REEL

DRAWING NUMBER:

S1961-46R

SHT
3
OF
3

X-ON Electronics

Largest Supplier of Electrical and Electronic Components

Click to view similar products for [EMI Gaskets, Sheets, Absorbers & Shielding](#) category:

Click to view products by [Harwin](#) manufacturer:

Other Similar products are found below :

[8101010140](#) [1194-14"X36YD](#) [1182-14"X18YD](#) [1554907-1](#) [227431-1](#) [2320002000](#) [2320014700](#) [25-78FS-BD-24](#) [SG293037DS](#)
[ST005PCN50](#) [3070-500-STD](#) [55005107](#) [0C98055917](#) [1126X1"](#) [1170-3/4X18YDS](#) [1170-7.7x10](#) [1183-12"X18YD](#) [6-34T-BD-0.315](#)
[SG125187D-24](#) [SG125250R-24](#) [SG187250D-24](#) [SG187375R-24](#) [SG284050DS](#) [KIT TECH CLIP](#) [10-40450-28S](#) [55005106](#) [6-34UT-070-BD-](#)
[16](#) [3070-500-RUB](#) [HNY-LT15CU4241](#) [38M6040AA0606](#) [2101143-3](#) [54-CBSU-24.0](#) [SG295355D-48.00](#) [1170-2X18YDS](#) [SG080200R-48.00](#)
[SG180400D-12](#) [SMS-203-M-F](#) [SMS-203-M-C](#) [8-25FSC-BD-16](#) [23-76FSC-SN-24](#) [09D-210-BD](#) [SG252280C-48](#) [25-S-78FSV50-BD-24](#) [41-](#)
[113FSV-BD-12](#) [1183-2"x18yd](#) [20S-CBSFNSV-1.5X3.0X0.35](#) [7-21C-045-DL-BD-16](#) [45-CBSU-24](#) [SG060280R-48](#) [20S-CBSFNSV-](#)
[1.75X3.0X0.35](#)