

Customer Information Sheet

DRAWING No.: S25-XX2

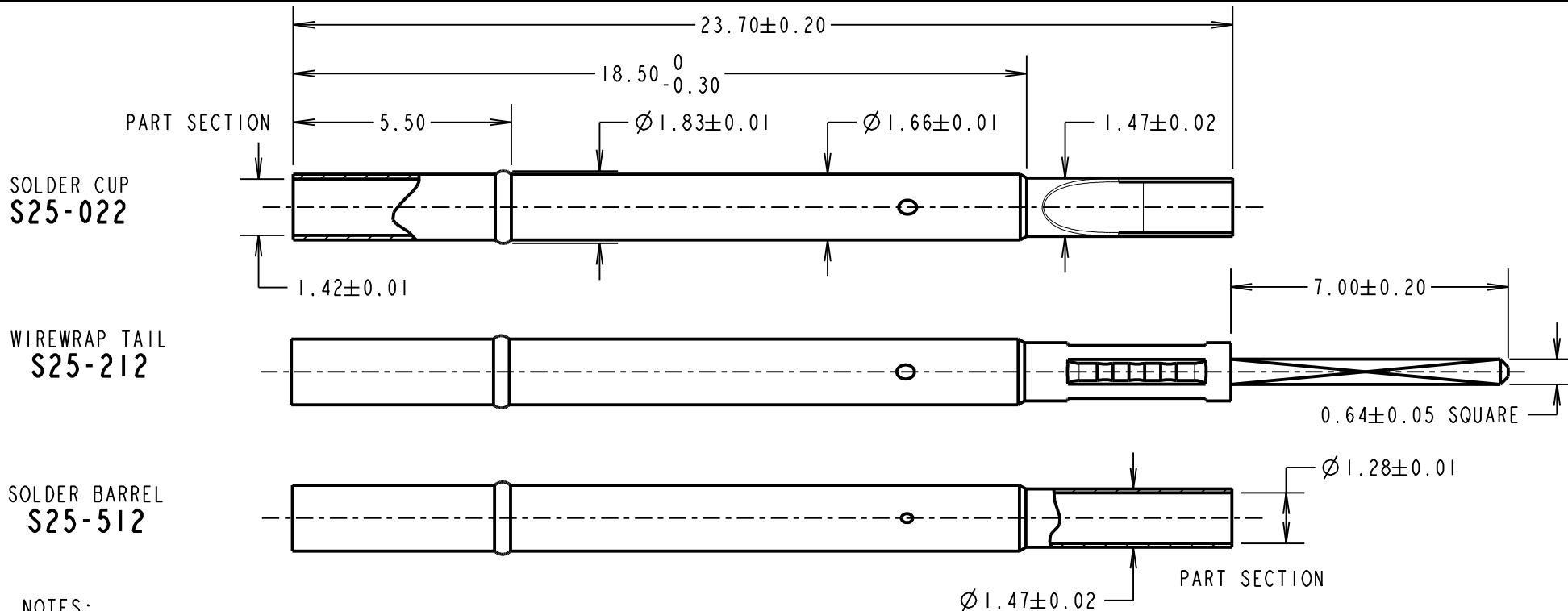
IF IN DOUBT - ASK

(C)

NOT TO SCALE

THIRD ANGLE PROJECTION

ALL DIMENSIONS IN mm



NOTES:

1. TO BE USED WITH PROBES P25-0822 AND P25-XX23.
2. SUITABLE FOR A MINIMUM DISTANCE BETWEEN CENTRES OF 2.54mm.
3. SPECIFICATIONS FOR PROBE PERFORMANCE ARE GIVEN ON THE PROBE DRAWING.
4. RECOMMENDED HOLE SIZES: $\varnothing 1.75\text{mm}$
5. S25-022 & S25-512 ARE SUITABLE FOR USE WITH 22, 24, 26, 28 & 30 AWG WIRE (SOLDER).
6. PLATING = 0.05μ GOLD OVER 2.03-3.05 μ NICKEL.

| | | | |
|--------------------|------|----------|--------|
| MSP | 4 | 28.01.16 | 13249 |
| NAME | ISS. | DATE | C/NOTE |
| APPROVED: M.PERREN | | | |
| CHECKED: S.BENNETT | | | |
| DRAWN: M.PERREN | | | |
| CUSTOMER REF.: | | | |
| ASSEMBLY DRG: | | | |

ORDER CODE:
S25-XX2
 SPRING PROBE
 SLEEVE (SEE ABOVE)

HARWIN

www.harwin.com
 technical@harwin.com

THIS DRAWING AND ANY INFORMATION OR DESCRIPTIVE MATTER SET OUT HEREON ARE CONFIDENTIAL AND COPYRIGHT PROPERTY OF THE HARWIN GROUP AND MUST NOT BE DISCLOSED, LOANED, COPIED OR USED FOR MANUFACTURING, TENDERING OR FOR ANY OTHER PURPOSE WITHOUT THEIR WRITTEN PERMISSION.

TOLERANCES
 X. = $\pm 1\text{mm}$
 X.X = $\pm 0.50\text{mm}$
 X.XX = $\pm 0.10\text{mm}$
 X.XXX = $\pm 0.01\text{mm}$
 ANGLES = $\pm 5^\circ$
 UNLESS STATED

MATERIAL:
 BRASS
FINISH: SEE ABOVE
S/AREA: mm²

TITLE:
 2.54mm MIN. CENTRE TWO-PIECE
 SPRING PROBE SLEEVE
DRAWING NUMBER:
S25-XX2

X-ON Electronics

Largest Supplier of Electrical and Electronic Components

Click to view similar products for [Test Probes](#) category:

Click to view products by [Harwin](#) manufacturer:

Other Similar products are found below :

[6214](#) [6474](#) [815003](#) [923832-BK-B](#) [P-KIT-1](#) [KT-MS001](#) [925250-R](#) [923848-C](#) [973368101](#) [972318101](#) [972318100](#) [MXHQ87WJ3000](#) [PK106-3](#) [PK2-5MM-102](#) [TAS90](#) [VL1735/45](#) [973368100](#) [972327100](#) [972327101](#) [973995100](#) [973995101](#) [CT3982B-120](#) [CT4386](#) [PP023-1](#) [PK1-5MM-127](#) [PP026-1](#) [PK103](#) [PK-ZS-013](#) [P6139B-PK10](#) [PQ215](#) [PQ219](#) [PQ218](#) [RT-ZI10C](#) [TT-SI 8071](#) [TT-SI 8050](#) [TT-SI 8010A](#) [TT-SI 7005](#)
[GE.3421](#) [GE.3121](#) [GE.1511](#) [GE.1521](#) [GE.2511](#) [HVP15B](#) [TT-SI7002](#) [4005](#) [4011](#) [4012](#) [4013](#) [4014](#) [4015](#)