

# Customer Information Sheet

DRAWING No.: S2711-XXR

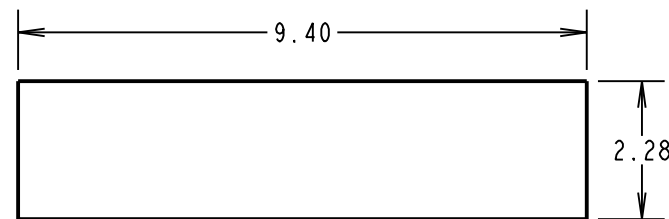
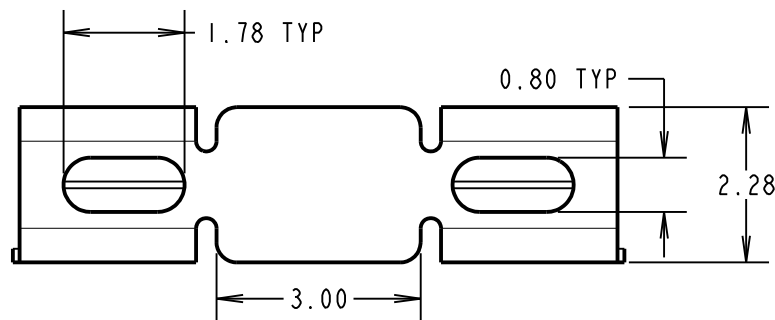
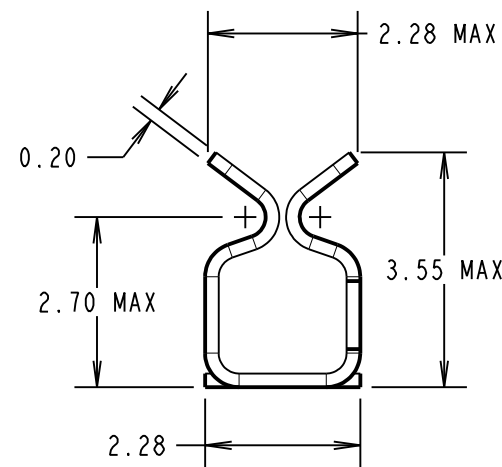
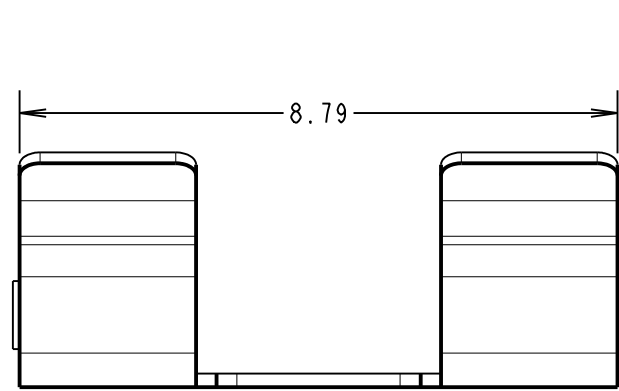
IF IN DOUBT - ASK

©

NOT TO SCALE

THIRD ANGLE PROJECTION

ALL DIMENSIONS IN mm



RECOMMENDED PAD LAYOUT

**COMPONENT SPECIFICATION:**

MATERIAL = CUPRO NICKEL

FINISH:

06 = 2.5-3.5µ TIN/LEAD,  
OVER 2.0-4.0µ NICKEL

46 = 2.4-3.6µ 100% TIN,  
OVER 2.4-3.6µ NICKEL

ENVIRONMENTAL:

OPERATING TEMPERATURE = -40°C TO +125°C

**PERFORMANCE SPECIFICATIONS:**

INSERTION FORCE (AFTER CONDITIONING) = 4N MAX

WITHDRAWAL FORCE = 0.5N MIN

DURABILITY = 20 INSERTIONS MINIMUM

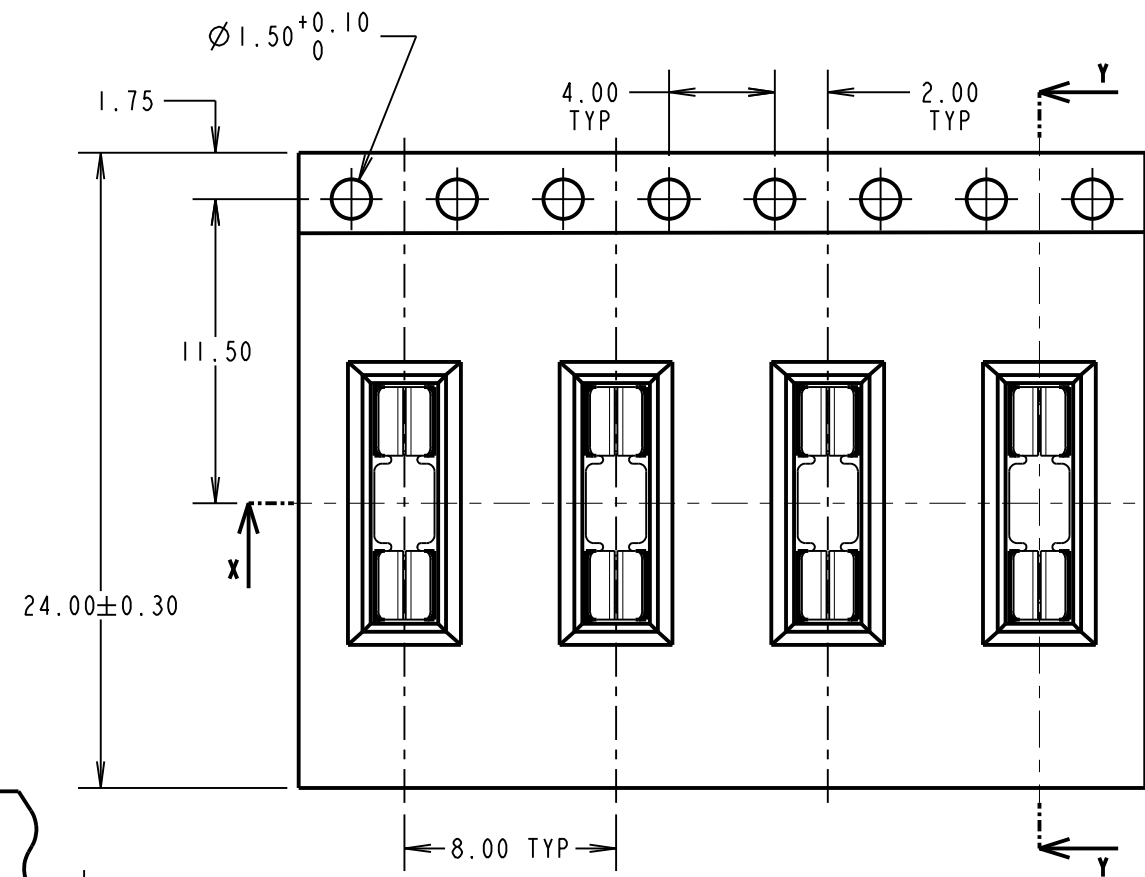
CONTACT RESISTANCE = 20mΩ MAX

SHIELD THICKNESS = 0.17mm - 0.30mm

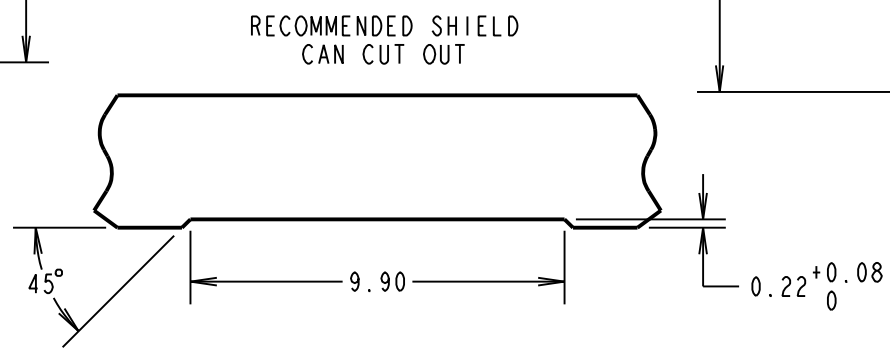
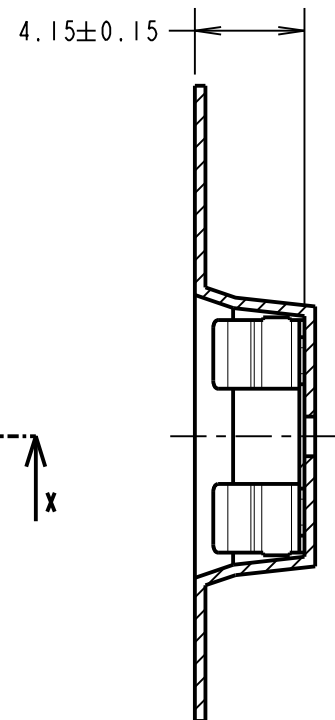
**NOTES:**

1. QUANTITY PER REEL = 1,900.

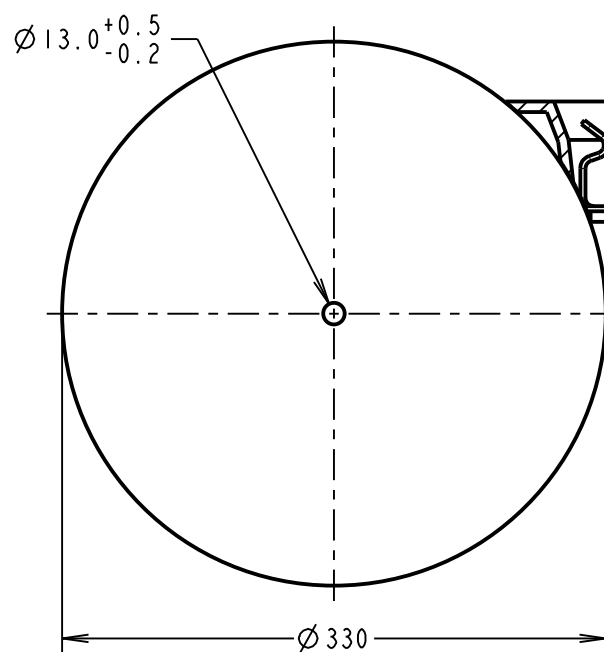
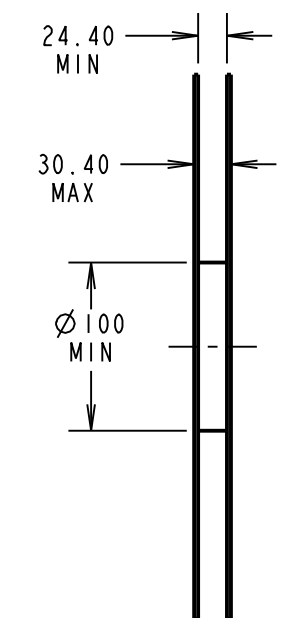
2. THIS PRODUCT IS TAPED AND REELED IN ACCORDANCE WITH EIA-481 (ELECTRONIC INDUSTRIES ASSOCIATION).



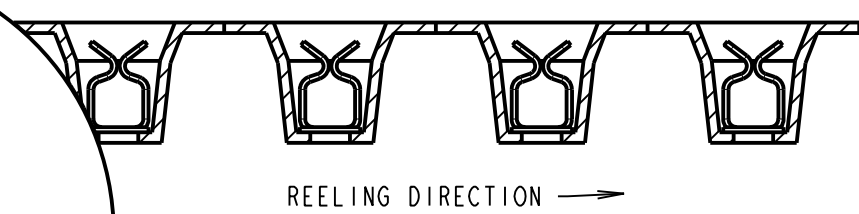
SECTION Y-Y



RECOMMENDED SHIELD CAN CUT OUT



SECTION X-X



REELING DIRECTION →

ORDER CODE:  
**S2711-XXR**  
FINISH:  
06 = TIN/LEAD OVER NICKEL  
46 = 100% TIN OVER NICKEL

MSP	11	03.08.17	20719
NAME	ISS.	DATE	C/NOTE
APPROVED: M.PERREN			
CHECKED: S.BENNETT			
DRAWN: J.EVANS			
CUSTOMER REF.:			
ASSEMBLY DRG:			

**HARWIN**  
www.harwin.com  
technical@harwin.com

THIS DRAWING AND ANY INFORMATION OR DESCRIPTIVE MATTER SET OUT HEREON ARE CONFIDENTIAL AND COPYRIGHT PROPERTY OF THE HARWIN GROUP AND MUST NOT BE DISCLOSED, LOANED, COPIED OR USED FOR MANUFACTURING, TENDERING OR FOR ANY OTHER PURPOSE WITHOUT THEIR WRITTEN PERMISSION.

**TOLERANCES**  
X. = ±1mm  
X.X = ±0.25mm  
X.XX = ±0.10mm  
X.XXX = ±0.01mm  
ANGLES = ±5°  
UNLESS STATED

**MATERIAL:** SEE ABOVE  
**FINISH:** SEE ABOVE  
**S/AREA:** mm<sup>2</sup>

**TITLE:** SMT RFI SHIELD CLIP IN TAPE AND REEL (CUPRO NICKEL)  
**DRAWING NUMBER:** S2711-XXR

## X-ON Electronics

Largest Supplier of Electrical and Electronic Components

*Click to view similar products for [EMI Gaskets, Sheets, Absorbers & Shielding](#) category:*

*Click to view products by [Harwin](#) manufacturer:*

Other Similar products are found below :

[8101010140](#) [8563-0090-89](#) [1194-7.7X10](#) [1245-34"X18YD](#) [1267](#) [1345-3/8x18yrd](#) [1380-2"X8"](#) [1554907-1](#) [2320002000](#) [2320014700](#)  
[SG293037DS](#) [ST005PCN50](#) [3070-500-STD](#) [55005107](#) [38M4040AA0606](#) [46J5N02020.NN00](#) [1125-8X10](#) [1126X1"](#) [1170-3/4X18YDS](#) [1170-7.7x10](#) [1183-12"X18YD](#) [6-34T-BD-0.315](#) [SG125187D-24](#) [SG125250R-24](#) [SG187375R-24](#) [SG284050DS](#) [8402010540](#) [KIT TECH CLIP](#)  
[1194](#) [10-40450-28S](#) [1245](#) [3013350A](#) [1267-1/2"x18yd](#) [46J8501020.NN00](#) [1170-1/4"x18yd](#) [3013310A](#) [1194X1"](#) [3020604](#) [3021302](#) [3031313](#)  
[260709](#) [3021310](#) [6-34UT-070-BD-16](#) [303076048](#) [46J5N03020.NN00](#) [30206025](#) [30395641](#) [3030403](#) [3690103020](#) [HNY-LT15CU4241](#)