

# Customer Information Sheet

DRAWING No.: S7041-42R

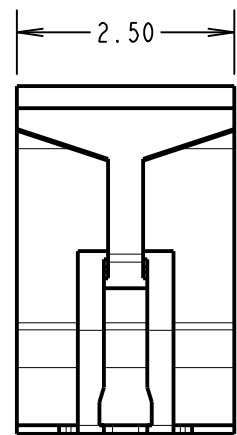
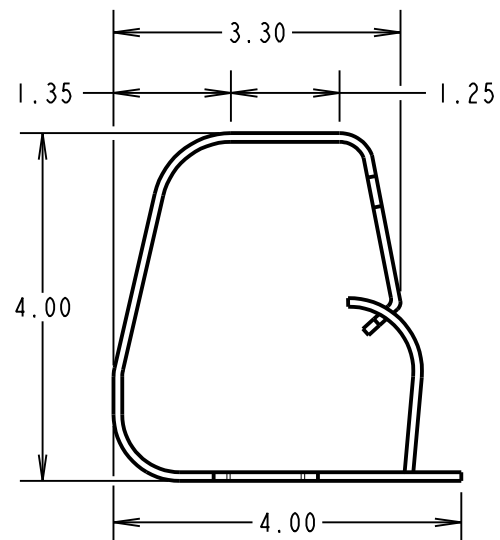
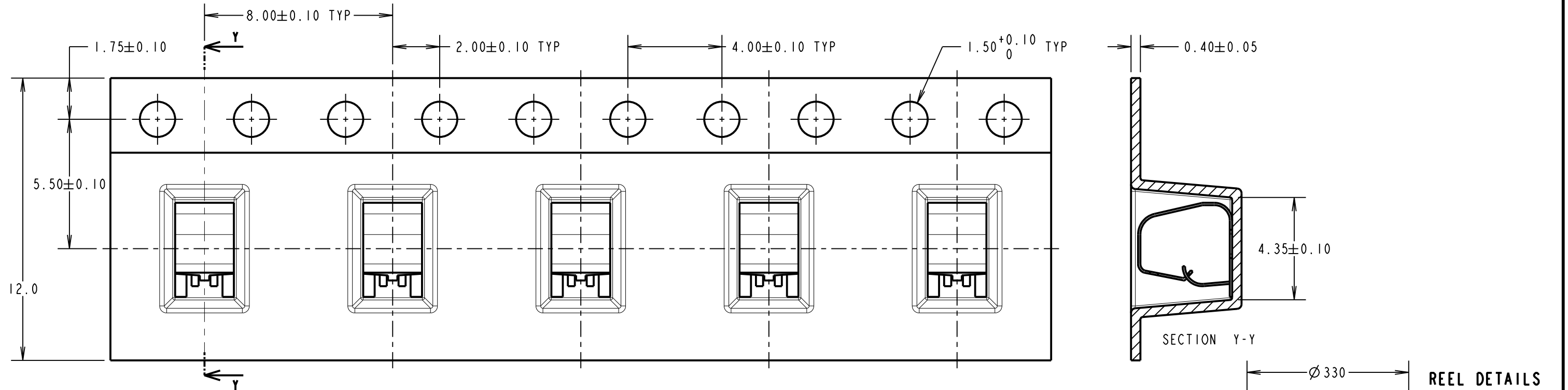
IF IN DOUBT - ASK

©

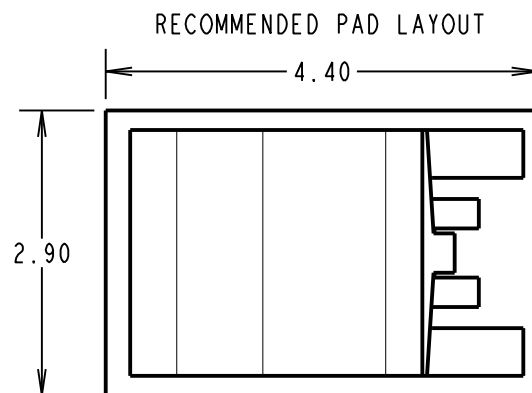
NOT TO SCALE

THIRD ANGLE PROJECTION

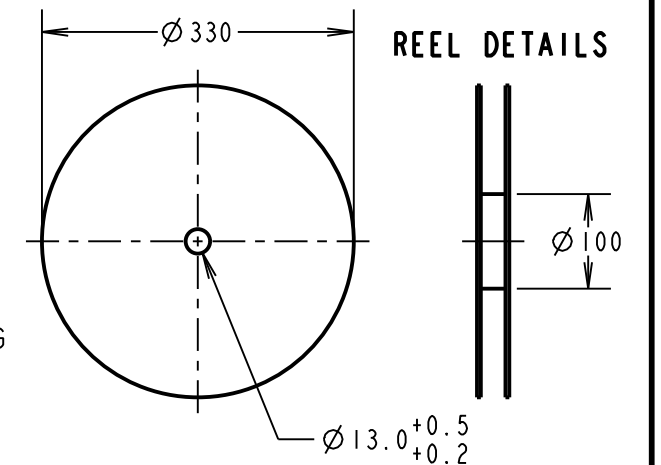
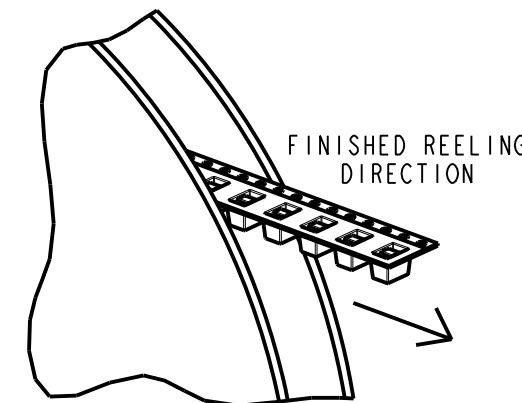
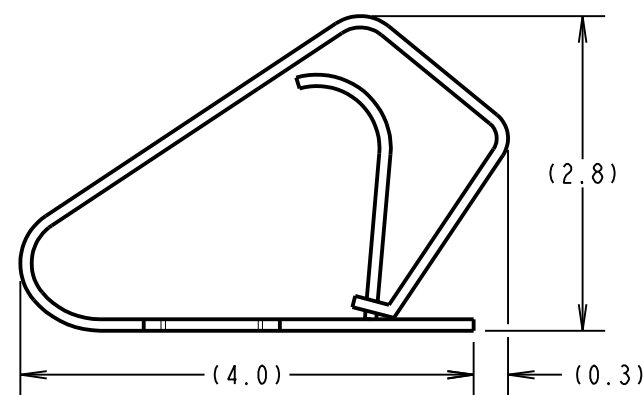
ALL DIMENSIONS IN mm



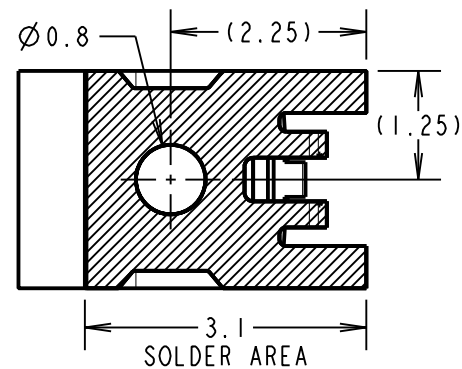
COMPONENT DETAILS



COMPONENT AT MINIMUM RECOMMENDED HEIGHT



REEL DETAILS



SOLDER AREA

**COMPONENT SPECIFICATION**

MATERIAL = TITANIUM COPPER ALLOY,  
 0.10mm THICK  
 FINISH = 0.7µm-1.3µm NICKEL, GOLD FLASH  
 ON CONTACT AND 2.54µm MIN 100%  
 MATTE TIN ON FOOT AREA.  
 RECOMMENDED WORKING HEIGHT = 3.40mm / MIN FORCE OF 1.2N  
 RECOMMENDED MINIMUM WORKING HEIGHT = 2.80mm  
 ELECTRICAL:  
 CURRENT RATING = 5A  
 MECHANICAL:  
 DURABILITY = 1500 CYCLES  
 ENVIRONMENTAL:  
 OPERATING TEMPERATURE = -55°C TO +125°C

MGP	7	22.12.21	31219
NAME	ISS.	DATE	CN/CO
APPROVED: MGP			
CHECKED: RA			
DRAWN: R.ADDE			
CUSTOMER REF.:			
ASSEMBLY DRG:			

NOTES:  
 1. QUANTITY PER REEL = 2000.  
 2. ALL TOLERANCES ARE: X.X = ±0.30mm  
 X.XX = ±0.15mm  
 UNLESS OTHERWISE STATED.

**HARWIN**  
 www.harwin.com  
 technical@harwin.com

THIS DRAWING AND ANY INFORMATION OR DESCRIPTIVE MATTER SET OUT HEREON ARE CONFIDENTIAL AND COPYRIGHT PROPERTY OF THE HARWIN GROUP AND MUST NOT BE DISCLOSED, LOANED, COPIED OR USED FOR MANUFACTURING, TENDERING OR FOR ANY OTHER PURPOSE WITHOUT THEIR WRITTEN PERMISSION.

**TOLERANCES**  
 X = ±1mm  
 X.X = ±0.50mm  
 X.XX = ±0.20mm  
 X.XXX = ±0.01mm  
 ANGLES = ±5°  
 UNLESS STATED

MATERIAL: SEE ABOVE  
 FINISH: SEE ABOVE  
 S/AREA: mm<sup>2</sup>

TITLE:  
 SMT SHIELD FINGER (4mm)  
 IN TAPE AND REEL  
 DRAWING NUMBER:  
**S7041-42R**  
 SHT 2 OF 2

## X-ON Electronics

Largest Supplier of Electrical and Electronic Components

*Click to view similar products for [EMI Gaskets, Sheets, Absorbers & Shielding](#) category:*

*Click to view products by [Harwin](#) manufacturer:*

Other Similar products are found below :

[8101010140](#) [8563-0090-89](#) [1194-7.7X10](#) [1245-34"X18YD](#) [1267](#) [1345-3/8x18yrd](#) [1380-2"X8"](#) [1554907-1](#) [2320002000](#) [2320014700](#)  
[SG293037DS](#) [ST005PCN50](#) [3070-500-STD](#) [55005107](#) [38M4040AA0606](#) [46J5N02020.NN00](#) [1125-8X10](#) [1126X1"](#) [1170-3/4X18YDS](#) [1170-7.7x10](#) [1183-12"X18YD](#) [6-34T-BD-0.315](#) [SG125187D-24](#) [SG125250R-24](#) [SG187375R-24](#) [SG284050DS](#) [8402010540](#) [KIT TECH CLIP](#)  
[1194](#) [10-40450-28S](#) [1245](#) [3013350A](#) [1267-1/2"x18yd](#) [46J8501020.NN00](#) [1170-1/4"x18yd](#) [3013310A](#) [1194X1"](#) [3020604](#) [3021302](#) [3031313](#)  
[3021310](#) [6-34UT-070-BD-16](#) [303076048](#) [46J5N03020.NN00](#) [30395641](#) [3030403](#) [3690103020](#) [HNY-LT15CU4241](#) [46X7501020.NN00](#)  
[1170-3/8"x18yd](#)