

# Customer Information Sheet

DRAWING No.: S7061-XXR

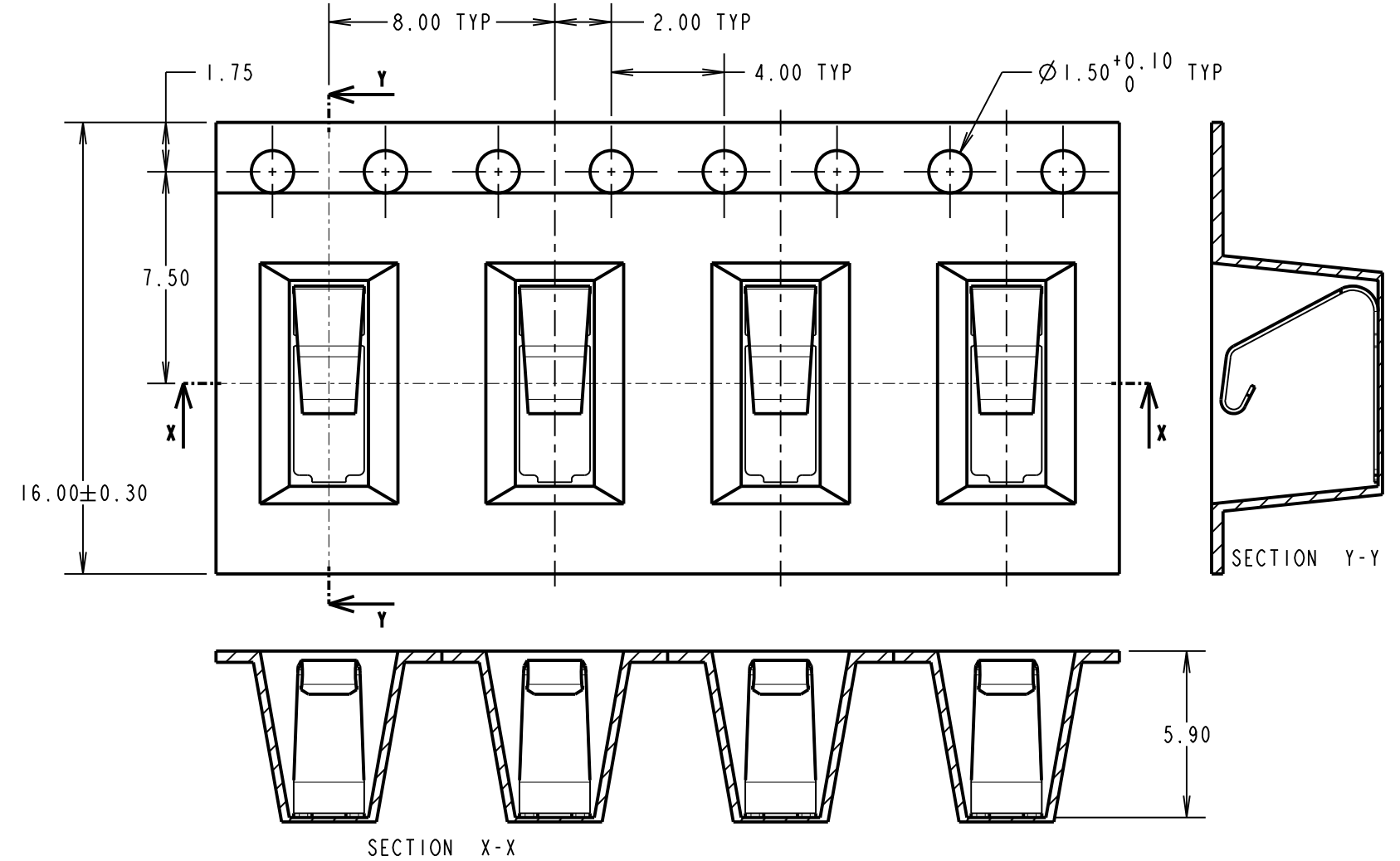
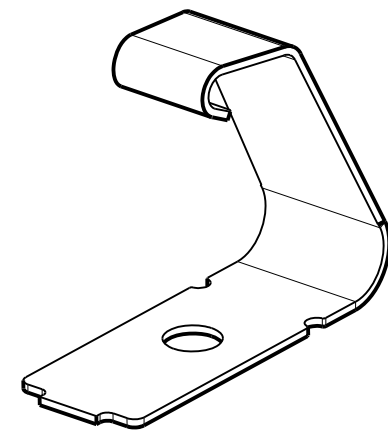
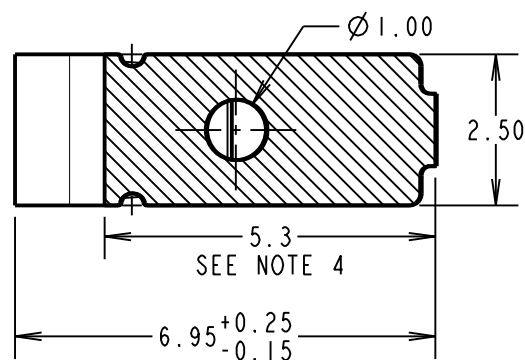
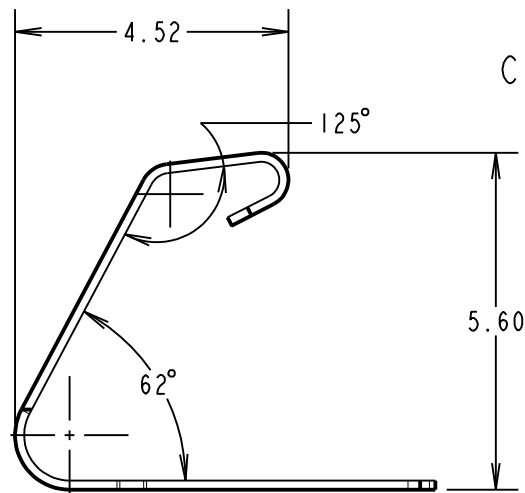
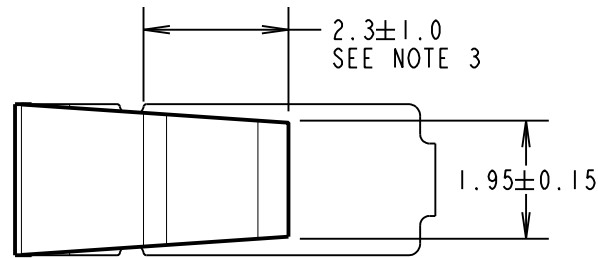
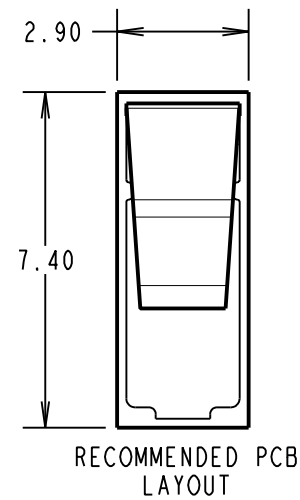
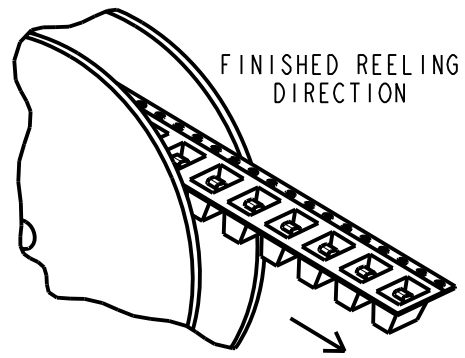
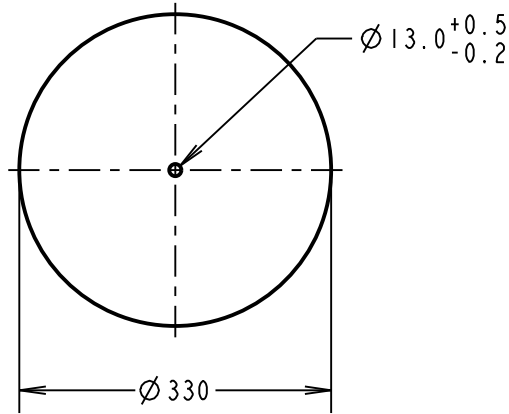
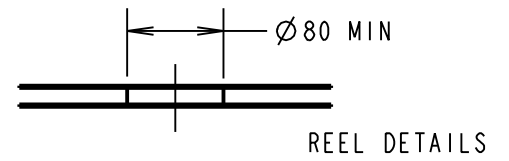
IF IN DOUBT - ASK

©

NOT TO SCALE

THIRD ANGLE PROJECTION

ALL DIMENSIONS IN mm



### COMPONENT SPECIFICATION

#### MATERIAL:

42 = TITANIUM COPPER ALLOY, 0.15mm THICK  
46 = BERYLLIUM COPPER ALLOY, 0.15mm THICK

#### FINISH:

42 = 2.4  $\mu$ m MIN 100% TIN ON FOOT AREA,  
GOLD FLASH ON CONTACT,  
0.7  $\mu$ m MIN NICKEL ALL OVER.  
46 = 2.4  $\mu$ m MIN 100% TIN OVER  
0.7  $\mu$ m MIN NICKEL ALL OVER.

#### ELECTRICAL:

CURRENT RATING = 4A MAX  
CONTACT RESISTANCE = 20m $\Omega$  MAX

#### MECHANICAL:

RECOMMENDED WORKING HEIGHT = 4.60mm / MIN FORCE = 1.2N  
RECOMMENDED MINIMUM WORKING HEIGHT = 4.10mm  
DURABILITY = 2500 CYCLES

#### ENVIRONMENTAL:

OPERATING TEMPERATURE = -55°C TO +125°C

### NOTES:

- QUANTITY OF COMPONENTS PER REEL:  
S706-42R = 1500,  
S706-46R = 1200.
- THIS PRODUCT IS TAPED AND REELED IN GENERAL ACCORDANCE WITH EIA-481-2 (ELECTRONICS INDUSTRIES ASSOCIATION).
- GOLD PLATING AREA ON S7061-42R.
- TIN PLATING AREA ON S7061-42R.

ORDER CODE:

**S7061-XXR**

FINISH:

42 - SELECTIVE GOLD & TIN OVER NICKEL  
46 - TIN OVER NICKEL

MGP	12	22.11.19	22097
NAME	ISS.	DATE	C/NOTE
APPROVED: MGP			
CHECKED: MR			
DRAWN: S.BENNETT			
CUSTOMER REF.:			
ASSEMBLY DRG:			

**HARWIN**

www.harwin.com  
technical@harwin.com

THIS DRAWING AND ANY INFORMATION OR DESCRIPTIVE MATTER SET OUT HEREON ARE CONFIDENTIAL AND COPYRIGHT PROPERTY OF THE HARWIN GROUP AND MUST NOT BE DISCLOSED, LOANED, COPIED OR USED FOR MANUFACTURING, TENDERING OR FOR ANY OTHER PURPOSE WITHOUT THEIR WRITTEN PERMISSION.

#### TOLERANCES

X. =  $\pm 1$ mm  
X.X =  $\pm 0.50$ mm  
X.XX =  $\pm 0.20$ mm  
X.XXX =  $\pm 0.01$ mm  
ANGLES =  $\pm 5^\circ$   
UNLESS STATED

#### MATERIAL:

SEE ABOVE

FINISH: SEE ABOVE

S/AREA: mm<sup>2</sup>

#### TITLE:

SMT SHIELD FINGER  
IN TAPE AND REEL

DRAWING NUMBER:

**S7061-XXR**

SHT  
3  
OF  
3

## X-ON Electronics

Largest Supplier of Electrical and Electronic Components

*Click to view similar products for [EMI Gaskets, Sheets, Absorbers & Shielding](#) category:*

*Click to view products by [Harwin](#) manufacturer:*

Other Similar products are found below :

[8101010140](#) [8563-0090-89](#) [1194-7.7X10](#) [1245-34"X18YD](#) [1267](#) [1345-3/8x18yrd](#) [1380-2"X8"](#) [1554907-1](#) [2320002000](#) [2320014700](#)  
[SG293037DS](#) [ST005PCN50](#) [3070-500-STD](#) [55005107](#) [38M4040AA0606](#) [46J5N02020.NN00](#) [1125-8X10](#) [1126X1"](#) [1170-3/4X18YDS](#) [1170-7.7x10](#) [1183-12"X18YD](#) [6-34T-BD-0.315](#) [SG125187D-24](#) [SG125250R-24](#) [SG187375R-24](#) [SG284050DS](#) [8402010540](#) [KIT TECH CLIP](#)  
[1194](#) [10-40450-28S](#) [1245](#) [3013350A](#) [1267-1/2"x18yd](#) [46J8501020.NN00](#) [1170-1/4"x18yd](#) [3013310A](#) [1194X1"](#) [3020604](#) [3021302](#) [3031313](#)  
[3021310](#) [6-34UT-070-BD-16](#) [303076048](#) [46J5N03020.NN00](#) [30395641](#) [3030403](#) [3690103020](#) [HNY-LT15CU4241](#) [46X7501020.NN00](#)  
[1170-3/8"x18yd](#)