

Customer Information Sheet

DRAWING No.: S7091-42R

SHEET 2 OF 2

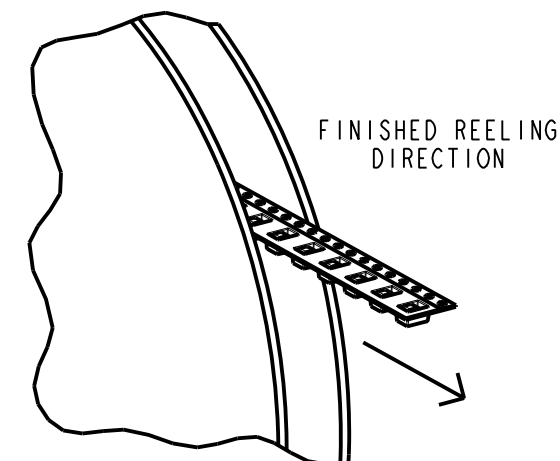
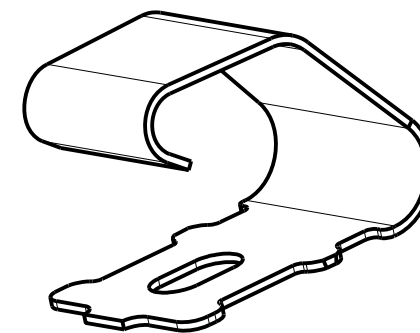
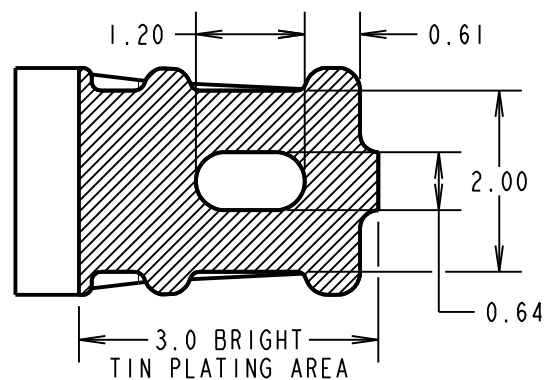
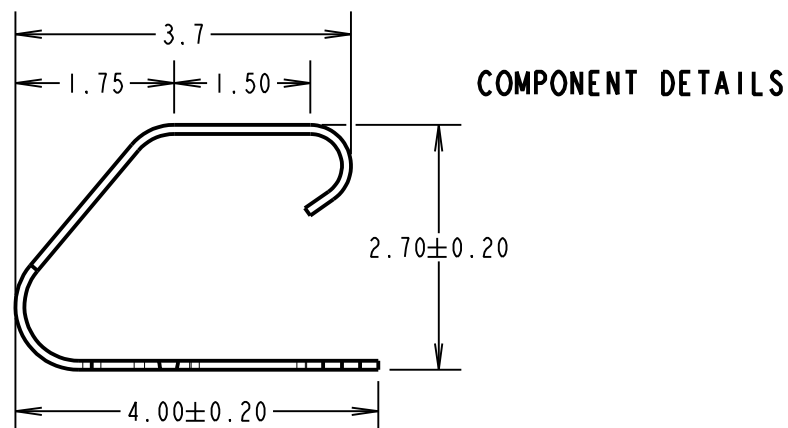
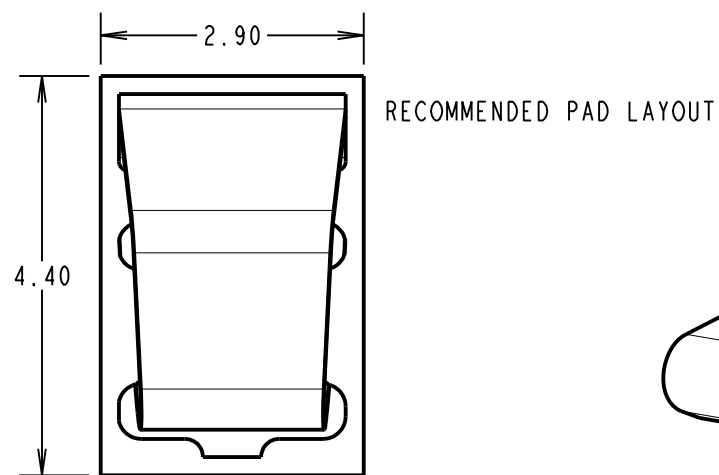
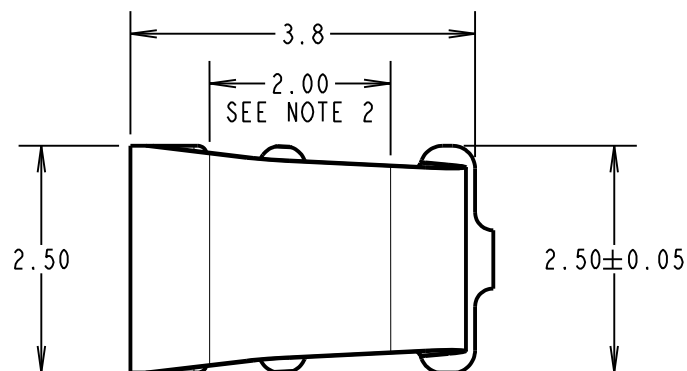
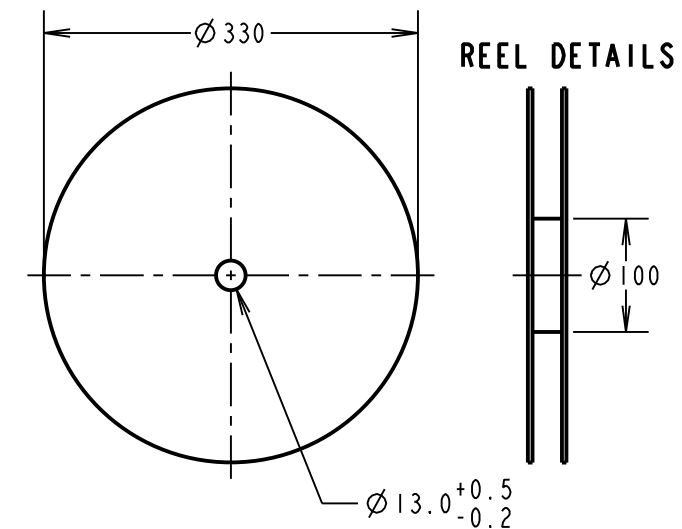
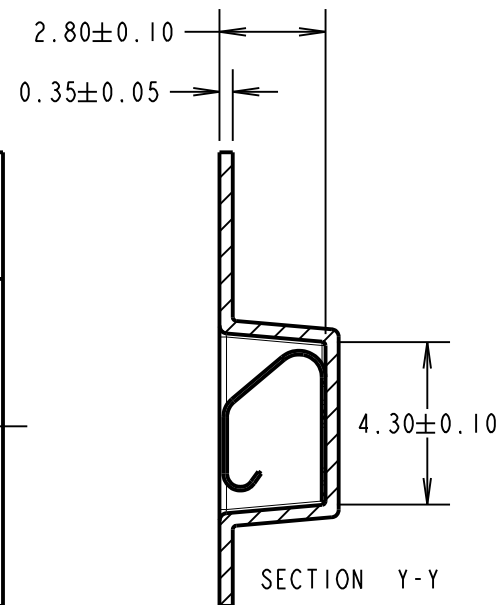
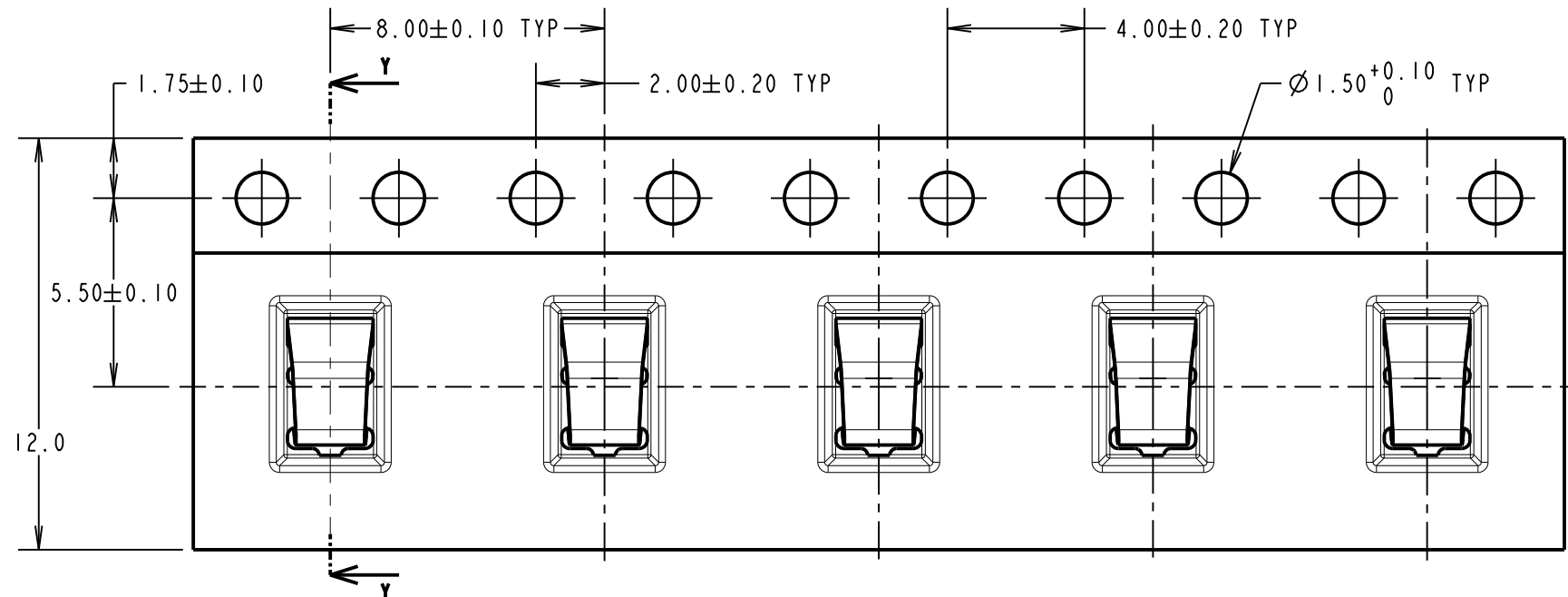
IF IN DOUBT - ASK

©

NOT TO SCALE

THIRD ANGLE PROJECTION

ALL DIMENSIONS IN mm



COMPONENT SPECIFICATION:
 MATERIAL = TITANIUM COPPER ALLOY
 0.10mm THICK
 FINISH = 0.7µm-1.3µm NICKEL, GOLD FLASH
 ON CONTACT AND 2.54µm MIN 100%
 TIN ON FOOT AREA.
 RECOMMENDED WORKING HEIGHT = 2.30mm / MIN FORCE = 1.2N
 RECOMMENDED MINIMUM WORKING HEIGHT = 1.90mm
 ELECTRICAL:
 CURRENT RATING = 6A
 MECHANICAL:
 DURABILITY = 2000 CYCLES
 ENVIRONMENTAL:
 OPERATING TEMPERATURE = -55°C TO +125°C

NOTES:
 1. QUANTITY PER REEL = 2500.
 2. GOLD PLATED AREA.
 3. ALL TOLERANCES ARE: X.X = ±0.30mm
 X.XX = ±0.15mm
 UNLESS OTHERWISE STATED.

MGP	7	05.01.22	31219
NAME	ISS.	DATE	CN/CO
APPROVED: MGP			
CHECKED: MR			
DRAWN:		R.ADDE	
CUSTOMER REF.:			
ASSEMBLY DRG:			

HARWIN
 www.harwin.com
 technical@harwin.com

THIS DRAWING AND ANY INFORMATION OR DESCRIPTIVE MATTER SET OUT HEREON ARE CONFIDENTIAL AND COPYRIGHT PROPERTY OF THE HARWIN GROUP AND MUST NOT BE DISCLOSED, LOANED, COPIED OR USED FOR MANUFACTURING, TENDERING OR FOR ANY OTHER PURPOSE WITHOUT THEIR WRITTEN PERMISSION.

TOLERANCES
 X = ±1mm
 X.X = ±0.50mm
 X.XX = ±0.20mm
 X.XXX = ±0.01mm
 ANGLES = ±5°
 UNLESS STATED

MATERIAL:
 SEE ABOVE
FINISH:
 SEE ABOVE
S/AREA:
 mm²

TITLE:
 SMT SHIELD FINGER (2.7mm)
 IN TAPE AND REEL
DRAWING NUMBER:
 S7091-42R
 SHT 2 OF 2

X-ON Electronics

Largest Supplier of Electrical and Electronic Components

Click to view similar products for [EMI Gaskets, Sheets, Absorbers & Shielding](#) category:

Click to view products by [Harwin](#) manufacturer:

Other Similar products are found below :

[8101010140](#) [8563-0090-89](#) [1194-7.7X10](#) [1245-34"X18YD](#) [1267](#) [1345-3/8x18yrd](#) [1380-2"X8"](#) [1554907-1](#) [2320002000](#) [2320014700](#)
[SG293037DS](#) [ST005PCN50](#) [3070-500-STD](#) [55005107](#) [38M4040AA0606](#) [46J5N02020.NN00](#) [1125-8X10](#) [1126X1"](#) [1170-3/4X18YDS](#) [1170-7.7x10](#) [1183-12"X18YD](#) [6-34T-BD-0.315](#) [SG125187D-24](#) [SG125250R-24](#) [SG187375R-24](#) [SG284050DS](#) [8402010540](#) [KIT TECH CLIP](#)
[1194](#) [10-40450-28S](#) [1245](#) [3013350A](#) [1267-1/2"x18yd](#) [46J8501020.NN00](#) [1170-1/4"x18yd](#) [3013310A](#) [1194X1"](#) [3020604](#) [3021302](#) [3031313](#)
[3021310](#) [6-34UT-070-BD-16](#) [303076048](#) [46J5N03020.NN00](#) [30395641](#) [3030403](#) [3690103020](#) [HNY-LT15CU4241](#) [46X7501020.NN00](#)
[1170-3/8"x18yd](#)