

Customer Information Sheet

DRAWING No.: S7121-42R

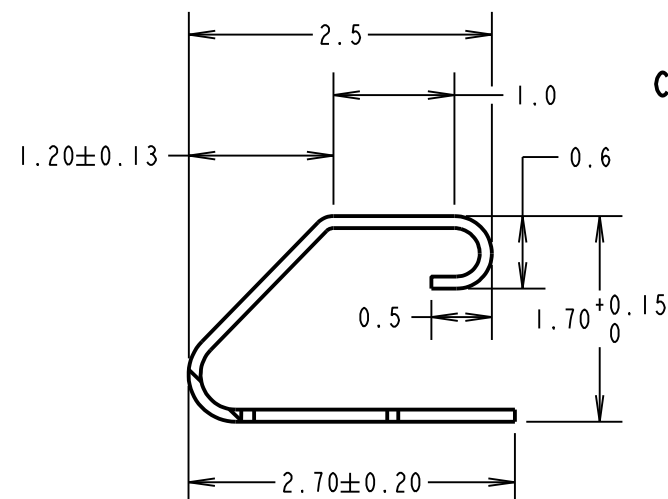
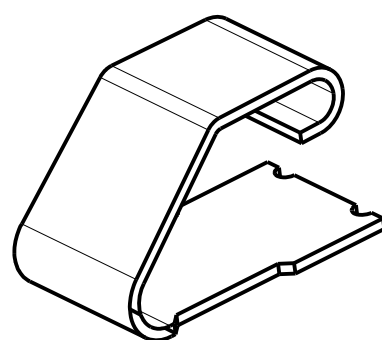
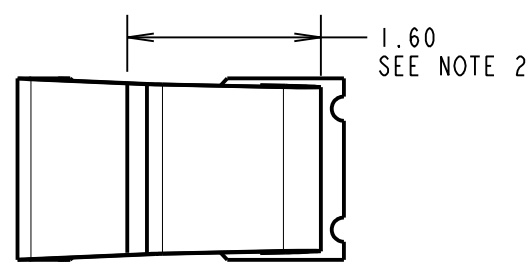
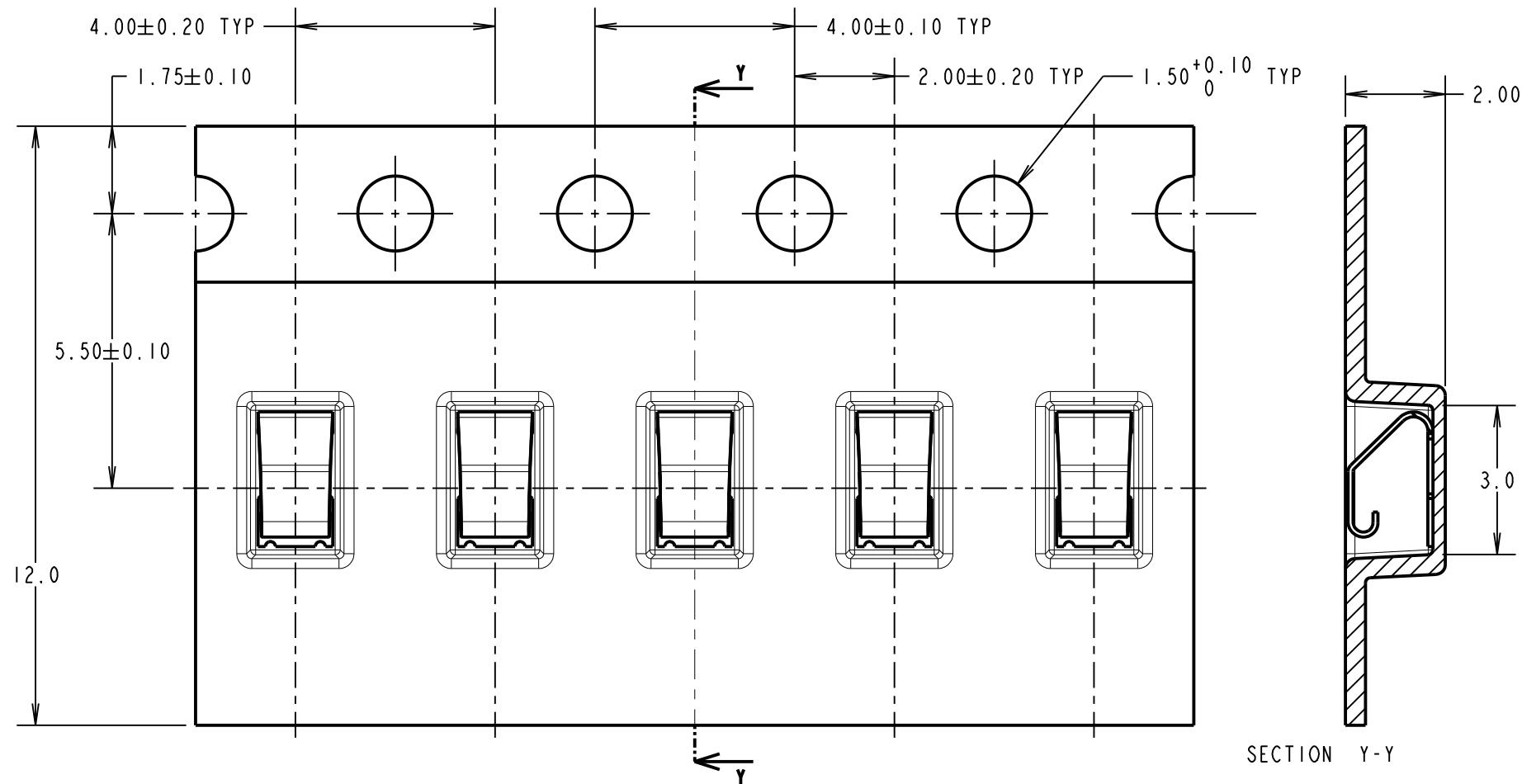
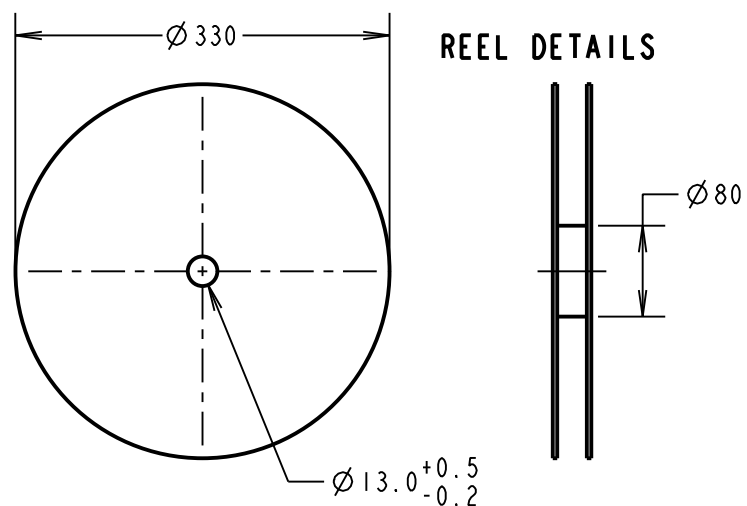
IF IN DOUBT - ASK

©

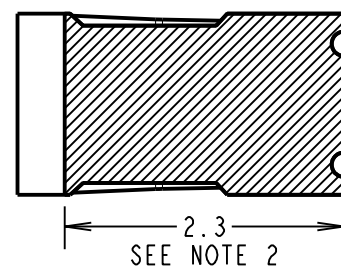
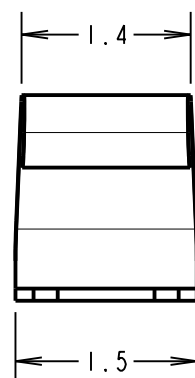
NOT TO SCALE

THIRD ANGLE PROJECTION

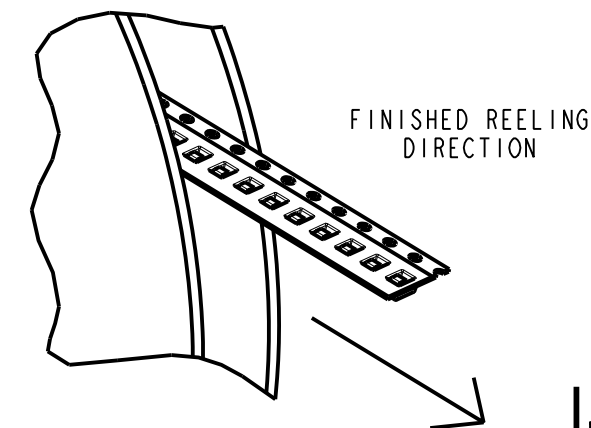
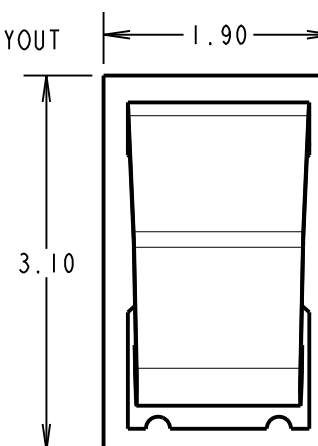
ALL DIMENSIONS IN mm



COMPONENT DETAILS



RECOMMENDED PAD LAYOUT



COMPONENT SPECIFICATION:

MATERIAL = TITANIUM COPPER ALLOY,
0.10mm THICK
FINISH = 0.7 μ m-1.3 μ m NICKEL, GOLD FLASH
ON CONTACT AREAS.

RECOMMENDED WORKING HEIGHT = 1.50mm / MIN FORCE = 1.2N
RECOMMENDED MINIMUM WORKING HEIGHT = 1.20mm

ELECTRICAL:
CURRENT RATING = 4A

MECHANICAL:
DURABILITY = 3000 CYCLES

ENVIRONMENTAL:
OPERATING TEMPERATURE = -55°C TO +125°C

NOTES:

- QUANTITY PER REEL = 5000.
- GOLD PLATED AREA.
- ALL TOLERANCES ARE: X.X = ± 0.30 mm
X.XX = ± 0.15 mm
UNLESS OTHERWISE STATED.

MGP	8	11.01.22	31219
NAME	ISS.	DATE	CN/CO
APPROVED: MGP			
CHECKED: MR			
DRAWN:		R.ADDE	
CUSTOMER REF.:			
ASSEMBLY DRG:			

HARWIN

www.harwin.com
technical@harwin.com

THIS DRAWING AND ANY INFORMATION OR DESCRIPTIVE MATTER SET OUT HEREON ARE CONFIDENTIAL AND COPYRIGHT PROPERTY OF THE HARWIN GROUP AND MUST NOT BE DISCLOSED, LOANED, COPIED OR USED FOR MANUFACTURING, TENDERING OR FOR ANY OTHER PURPOSE WITHOUT THEIR WRITTEN PERMISSION.

TOLERANCES

X = ± 1 mm
X.X = ± 0.50 mm
X.XX = ± 0.20 mm
X.XXX = ± 0.01 mm
ANGLES = $\pm 5^\circ$
UNLESS STATED

MATERIAL:

SEE ABOVE

FINISH:

SEE ABOVE

S/AREA:

mm²

TITLE:

SMT SHIELD FINGER (1.7mm)
IN TAPE AND REEL

DRAWING NUMBER:

S7121-42R

SHT
2 OF 2

X-ON Electronics

Largest Supplier of Electrical and Electronic Components

Click to view similar products for [EMI Gaskets, Sheets, Absorbers & Shielding](#) category:

Click to view products by [Harwin](#) manufacturer:

Other Similar products are found below :

[8101010140](#) [8563-0090-89](#) [1194-7.7X10](#) [1245-34"X18YD](#) [1267](#) [1345-3/8x18yrd](#) [1380-2"X8"](#) [1554907-1](#) [2320002000](#) [2320014700](#)
[SG293037DS](#) [ST005PCN50](#) [3070-500-STD](#) [55005107](#) [38M4040AA0606](#) [46J5N02020.NN00](#) [1125-8X10](#) [1126X1"](#) [1170-3/4X18YDS](#) [1170-7.7x10](#) [1183-12"X18YD](#) [6-34T-BD-0.315](#) [SG125187D-24](#) [SG125250R-24](#) [SG187375R-24](#) [SG284050DS](#) [8402010540](#) [KIT TECH CLIP](#)
[1194](#) [10-40450-28S](#) [1245](#) [3013350A](#) [1267-1/2"x18yd](#) [46J8501020.NN00](#) [1170-1/4"x18yd](#) [3013310A](#) [1194X1"](#) [3020604](#) [3021302](#) [3031313](#)
[260709](#) [3021310](#) [6-34UT-070-BD-16](#) [303076048](#) [46J5N03020.NN00](#) [30395641](#) [3030403](#) [3690103020](#) [HNY-LT15CU4241](#)
[46X7501020.NN00](#)