

Customer Information Sheet

DRAWING No.: S7231-45R

IF IN DOUBT - ASK

©

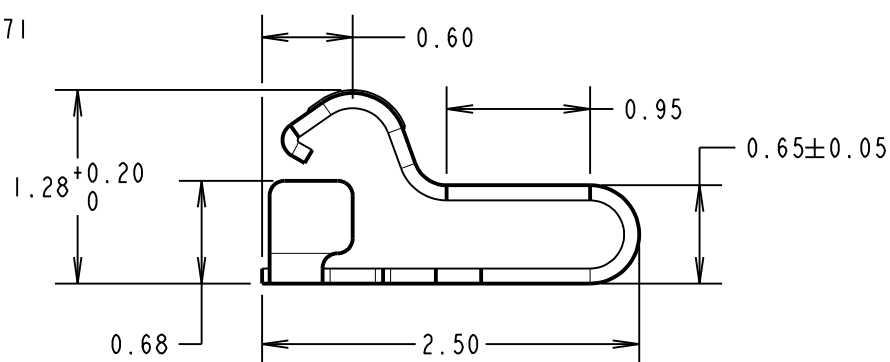
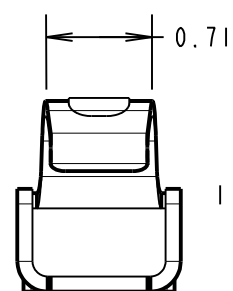
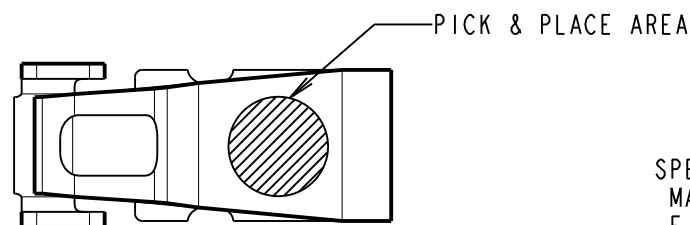
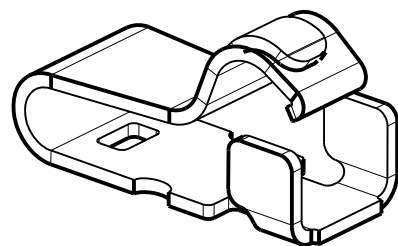
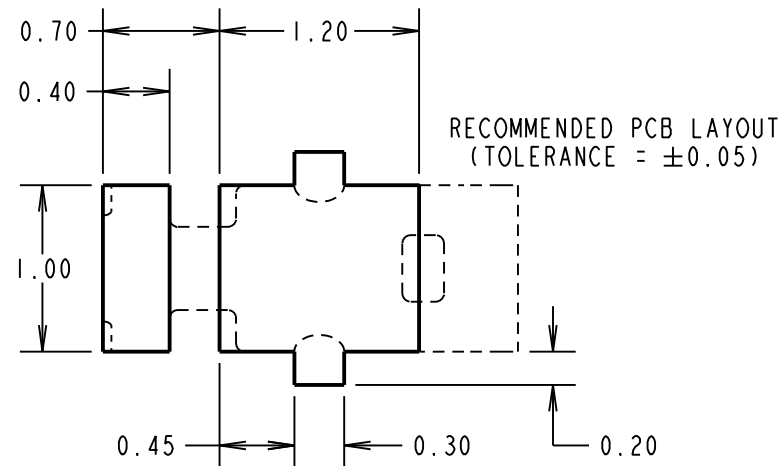
NOT TO SCALE

THIRD ANGLE PROJECTION

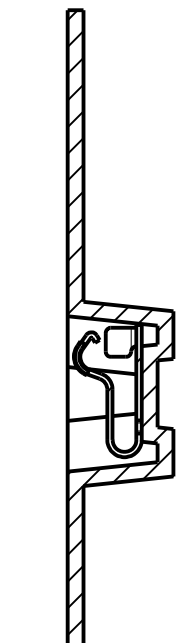
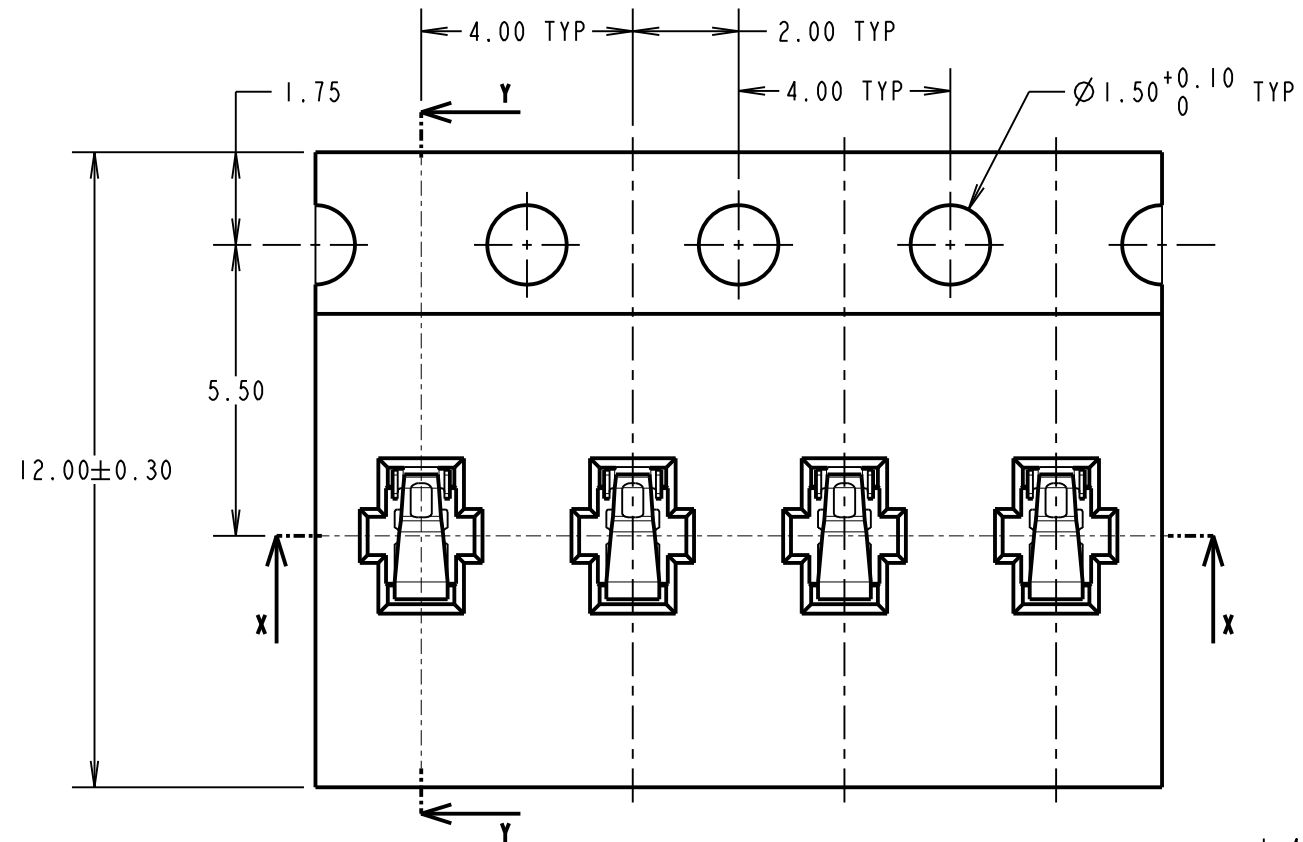
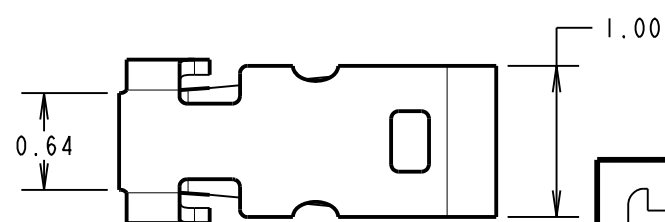
ALL DIMENSIONS IN mm

NOTES:

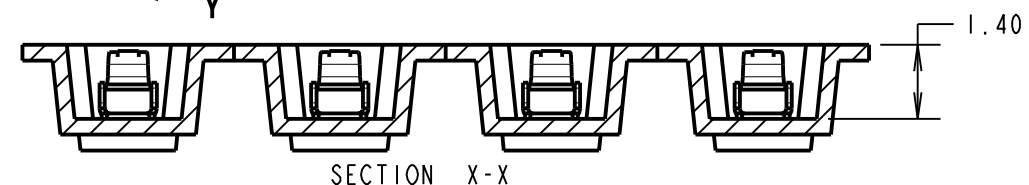
1. QUANTITY PER REEL = 10,000.
2. THIS PRODUCT IS TAPED AND REELED IN GENERAL ACCORDANCE WITH EIA-481-2 (ELECTRONICS INDUSTRIES ASSOCIATION).



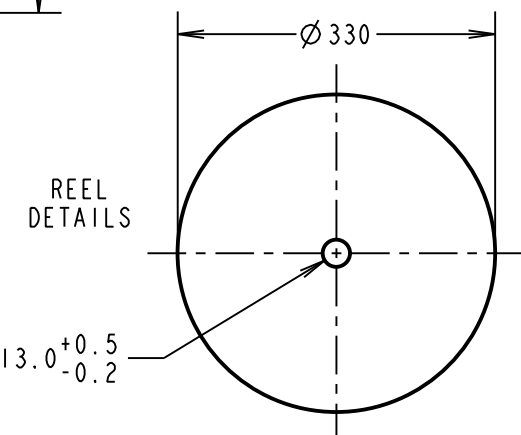
COMPONENT DETAILS



SECTION Y-Y



SECTION X-X



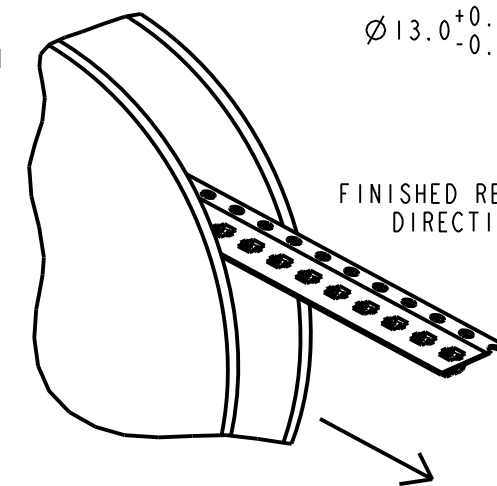
SPECIFICATION:

MATERIAL = TITANIUM COPPER ALLOY, 0.08mm THICK
 FINISH = 1.5µm-3.5µm NICKEL ALL OVER. 0.1µm GOLD ON TOP CONTACT AREA AND GOLD FLASH ON BASE

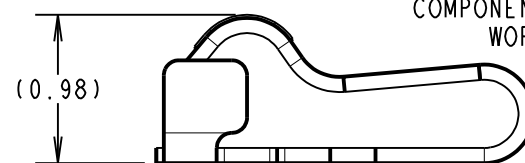
ELECTRICAL:
 CONTACT RESISTANCE = 50mΩ MAX
 CURRENT RATING = 1A

MECHANICAL:
 DURABILITY = 10,000 CYCLES
 RECOMMENDED WORKING HEIGHT = 0.98mm / MIN FORCE = 0.39N
 RECOMMENDED MINIMUM WORKING HEIGHT = 0.68mm

ENVIRONMENTAL:
 OPERATING TEMPERATURE = -40°C TO +85°C



COMPONENT AT RECOMMENDED WORKING HEIGHT



HARWIN

www.harwin.com
 technical@harwin.com

THIS DRAWING AND ANY INFORMATION OR DESCRIPTIVE MATTER SET OUT HEREON ARE CONFIDENTIAL AND COPYRIGHT PROPERTY OF THE HARWIN GROUP AND MUST NOT BE DISCLOSED, LOANED, COPIED OR USED FOR MANUFACTURING, TENDERING OR FOR ANY OTHER PURPOSE WITHOUT THEIR WRITTEN PERMISSION.

TOLERANCES

X. = ±1mm
 X.X = ±0.50mm
 X.XX = ±0.20mm
 X.XXX = ±0.01mm
 ANGLES = ±5°
 UNLESS STATED

MATERIAL:

SEE ABOVE

FINISH: SEE ABOVE

S/AREA: mm²

TITLE: SMT SPRING CONTACT
 (1.28mm HIGH)
 IN TAPE AND REEL

DRAWING NUMBER:

S7231-45R

MGP	3	09.04.20	21839
NAME	ISS.	DATE	C/NOTE
APPROVED: MGP			
CHECKED: RA			
DRAWN: S.BENNETT			
CUSTOMER REF.:			
ASSEMBLY DRG:			

X-ON Electronics

Largest Supplier of Electrical and Electronic Components

Click to view similar products for [EMI Gaskets, Sheets, Absorbers & Shielding](#) category:

Click to view products by [Harwin](#) manufacturer:

Other Similar products are found below :

[8101010140](#) [8563-0090-89](#) [1194-7.7X10](#) [1245-34"X18YD](#) [1267](#) [1345-3/8x18yrd](#) [1380-2"X8"](#) [1554907-1](#) [2320002000](#) [2320014700](#)
[SG293037DS](#) [ST005PCN50](#) [3070-500-STD](#) [55005107](#) [38M4040AA0606](#) [46J5N02020.NN00](#) [1125-8X10](#) [1126X1"](#) [1170-3/4X18YDS](#) [1170-7.7x10](#) [1183-12"X18YD](#) [6-34T-BD-0.315](#) [SG125187D-24](#) [SG125250R-24](#) [SG187375R-24](#) [SG284050DS](#) [8402010540](#) [KIT TECH CLIP](#)
[1194](#) [10-40450-28S](#) [1245](#) [3013350A](#) [1267-1/2"x18yd](#) [46J8501020.NN00](#) [1170-1/4"x18yd](#) [3013310A](#) [1194X1"](#) [3020604](#) [3021302](#) [3031313](#)
[3021310](#) [6-34UT-070-BD-16](#) [303076048](#) [46J5N03020.NN00](#) [30395641](#) [3030403](#) [3690103020](#) [HNY-LT15CU4241](#) [46X7501020.NN00](#)
[1170-3/8"x18yd](#)