

Customer Information Sheet

DRAWING No.: W2222-00

SHEET 2 OF 2

IF IN DOUBT - ASK

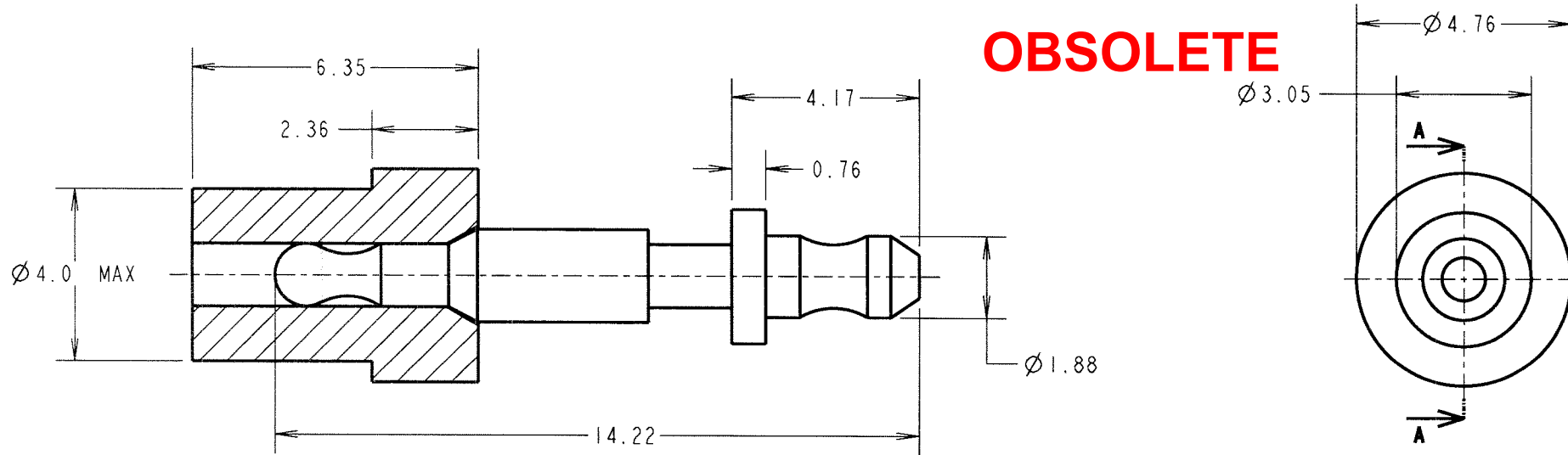
©

NOT TO SCALE

THIRD ANGLE PROJECTION

ALL DIMENSIONS IN mm

OBSOLETE



SECTION A-A

SPECIFICATIONS:

MATERIAL:

INSULATOR = PTFE, WHITE
TERMINAL = BRASS

FINISH:

TERMINAL = 3.5μ SILVER

ELECTRICAL:

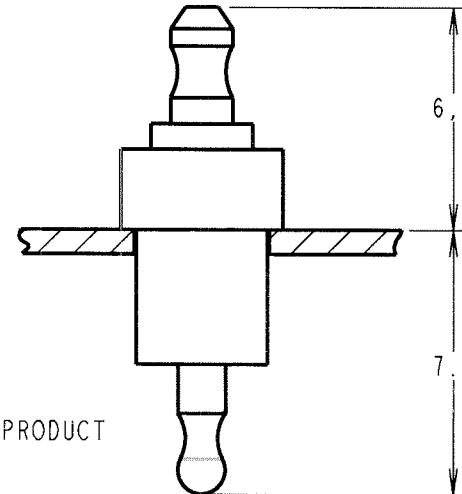
CURRENT RATING = 5A MAX
VOLTAGE PROOF = 5KV

ENVIRONMENTAL:

MAX. TEMPERATURE RATING = 200°C

NOTES:

1. FOR ASSEMBLY INSTRUCTIONS, SEE INSTRUCTION SHEET IS-24.
2. USE ASSEMBLY TOOL Z1001-00.
3. RECOMMENDED PCB HOLE SIZE = $\varnothing 3.96\text{mm}$.
4. RECOMMENDED PCB THICKNESS = 0.72-1.6mm.



FINISHED PRODUCT

JAE	4	22.10.04	8184
NAME	ISS.	DATE	C/NOTE
APPROVED: <i>[Signature]</i>			
CHECKED: <i>[Signature]</i>			
DRAWN: K. SHIER			
CUSTOMER REF.:			
ASSEMBLY DRG:			

HARWIN

HARWIN INC
U.S.A.

HARWIN PLC
U.K.

HARWIN PTE
SINGAPORE

TEL: (812) 542 2546
FAX: (812) 542 2541

TEL: 023 9231 4545
FAX: 023 9231 4590

TEL: 65 6779 4909
FAX: 65 6779 3868

THIS DRAWING AND ANY INFORMATION OR DESCRIPTIVE MATTER SET OUT HEREON ARE CONFIDENTIAL AND COPYRIGHT PROPERTY OF THE HARWIN GROUP AND MUST NOT BE DISCLOSED, LOANED, COPIED OR USED FOR MANUFACTURING, TENDERING OR FOR ANY OTHER PURPOSE WITHOUT THEIR WRITTEN PERMISSION.

TOLERANCES

X. = $\pm 1\text{mm}$
X.X = $\pm 0.25\text{mm}$
X.XX = $\pm 0.10\text{mm}$
X.XXX = $\pm 0.01\text{mm}$

ANGLES = $\pm 5^\circ$
UNLESS STATED

MATERIAL:

SEE ABOVE

FINISH:

SEE ABOVE

S/AREA:

mm²

TITLE:

FEED THROUGH INSULATOR
(PARTIALLY ASSEMBLED)

DRAWING NUMBER:

W2222-00

SHT
2 OF 2

X-ON Electronics

Largest Supplier of Electrical and Electronic Components

Click to view similar products for [Terminals](#) category:

Click to view products by [Harwin](#) manufacturer:

Other Similar products are found below :

[00-054007-01074-6](#) [00-054007-70206-1](#) [00-054007-70210-8](#) [00-054007-70217-7](#) [00-054007-70226-9](#) [00-054007-70228-3](#) [00-054007-70248-1](#) [00-054007-70256-6](#) [00-054007-70301-3](#) [00-054007-70316-7](#) [00-054007-49560-4](#) [00-054007-70209-2](#) [00-054007-70225-2](#) [00-054007-70227-6](#) [00-054007-70231-3](#) [00-054007-70241-2](#) [00-054007-70242-9](#) [00-054007-70244-3](#) [00-054007-70246-7](#) [00-054007-70263-4](#) [00-054007-70288-7](#) [00-054007-70290-0](#) [00-054007-70300-6](#) [00-054007-70304-4](#) [01-2065-1-0216](#) [01-2900-1-04412](#) [00581P0075](#) [600TS-10](#) [60205-1](#) [604200-1](#) [605601-1](#) [60598-1-CUT-TAPE](#) [61314-6-C](#) [61810-3](#) [61-S](#) [62149-1](#) [626-0194](#) [62-NBM-A](#) [62-SN](#) [62-SP](#) [640179-1](#) [M55155/059I03](#) [M55155/079C01](#) [M55155/099H02](#) [M55155/109H01](#) [M55155/109H02](#) [M55155/12XH05](#) [M55155/16XH02](#) [M55155/29-5S](#) [M55155/29XJ08](#)