

# Customer Information Sheet

DRAWING No.: Z125-902

IF IN DOUBT - ASK

©

NOT TO SCALE

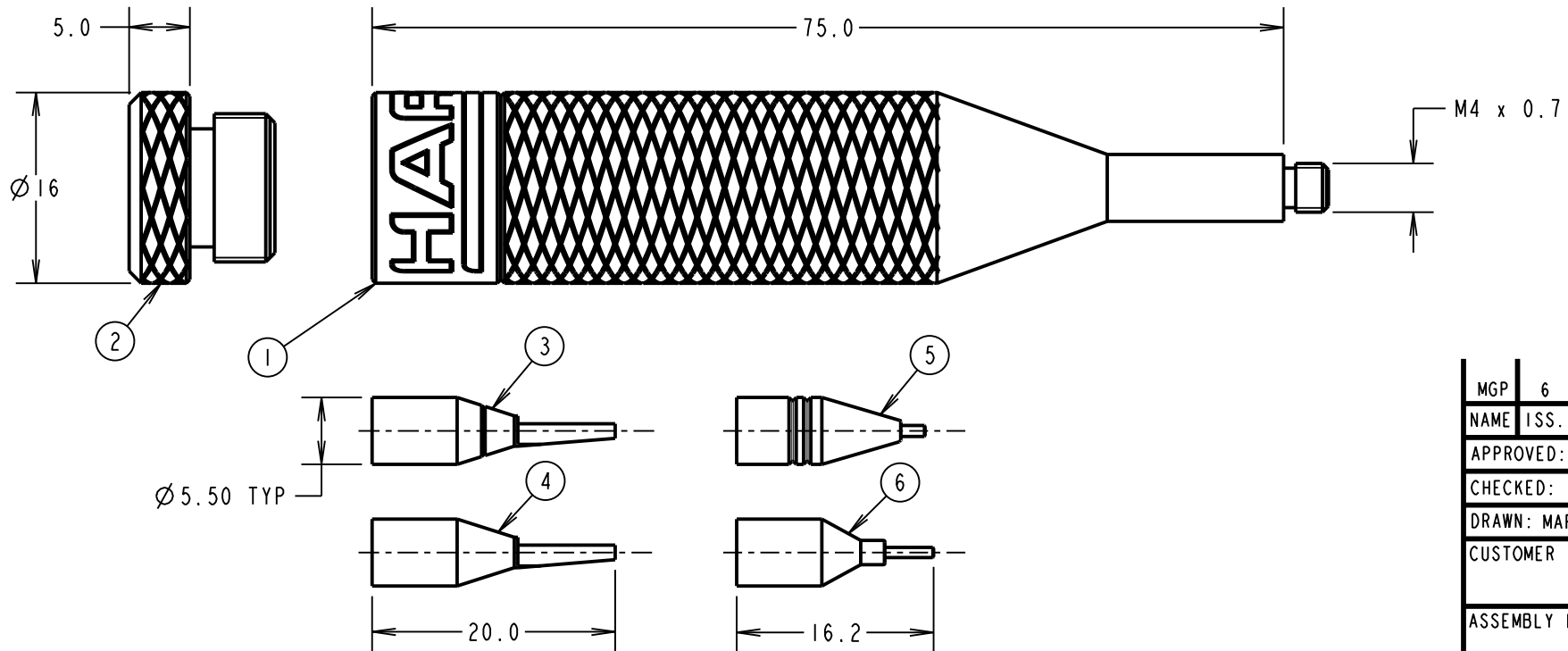
THIRD ANGLE PROJECTION

ALL DIMENSIONS IN mm

No.	DESCRIPTION	PART No.
1	HANDLE BODY	N/A - NOT SOLD SEPARATELY
2	CAP FOR HANDLE	N/A - NOT SOLD SEPARATELY
3	INSERTION TIP 26/28 AWG $\varnothing$ 0.80 MAX INS.	Z125-920
4	INSERTION TIP 30/32 AWG $\varnothing$ 0.65 MAX INS.	Z125-921
5	REMOVAL TIP FEMALE CONTACT	Z125-922
6	REMOVAL TIP MALE CONTACT	Z125-923

NOTES:

- SEE INSTRUCTION SHEET IS-38.
- SPARE TOOL TIPS CAN BE BOUGHT SEPARATELY. SEE TABLE FOR PART NUMBERS.



MGP	6	12.08.21	30758
NAME	ISS.	DATE	CN/CO
APPROVED: MGP			
CHECKED: RA			
DRAWN: MARK G PLESTED			
CUSTOMER REF.:			
ASSEMBLY DRG:			

## HARWIN

www.harwin.com  
technical@harwin.com

THIS DRAWING AND ANY INFORMATION OR DESCRIPTIVE MATTER SET OUT HEREON ARE CONFIDENTIAL AND COPYRIGHT PROPERTY OF THE HARWIN GROUP AND MUST NOT BE DISCLOSED, LOANED, COPIED OR USED FOR MANUFACTURING, TENDERING OR FOR ANY OTHER PURPOSE WITHOUT THEIR WRITTEN PERMISSION.

TOLERANCES  
 X. =  $\pm 1$ mm  
 X.X =  $\pm 0.50$ mm  
 X.XX =  $\pm 0.20$ mm  
 X.XXX =  $\pm 0.01$ mm  
 ANGLES =  $\pm 5^\circ$   
 UNLESS STATED

MATERIAL:  
 FINISH:  
 S/AREA: mm<sup>2</sup>

TITLE:  
 G125 GECKO CRIMP CONTACT  
 INSERTION / REMOVAL TOOL KIT  
 DRAWING NUMBER:  
**Z125-902**  
 SHT  
 2 OF 2

## X-ON Electronics

Largest Supplier of Electrical and Electronic Components

*Click to view similar products for [Extraction, Removal & Insertion Tools](#) category:*

*Click to view products by [Harwin](#) manufacturer:*

Other Similar products are found below :

[M8196914-08](#) [768211-2](#) [809-131](#) [844751-2](#) [8-59558-2](#) [91018-1](#) [12014013](#) [12093647](#) [1-21048-0](#) [R282867020](#) [12093078](#) [12180559](#) [1-21048-6](#) [12121897](#) [DCF.91.405.5LT](#) [1322](#) [13549852](#) [15314260](#) [15313892](#) [15350698](#) [15350707](#) [15430130](#) [1643916-1](#) [1-679532-0](#) [1976593-3](#) [OUTEXT-0321](#) [2-1579008-3](#) [2-1579008-4](#) [229694-7](#) [231106-1](#) [241469](#) [91040-3](#) [91040-7](#) [965004-000](#) [965069-000](#) [1738219-1](#) [ET-JL05-16](#) [FG 0300 146 3000](#) [FIT-6](#) [210S048](#) [2-1579007-9](#) [231879-1](#) [CF-008025-000](#) [312138-3](#) [RJ11FODE](#) [356-162](#) [M8196914-10](#) [4-1579018-0](#) [483249-1](#) [5-1579007-2](#)