

Customer Information Sheet

DRAWING No.: Z80-293

SHEET 2 OF 2

IF IN DOUBT - ASK

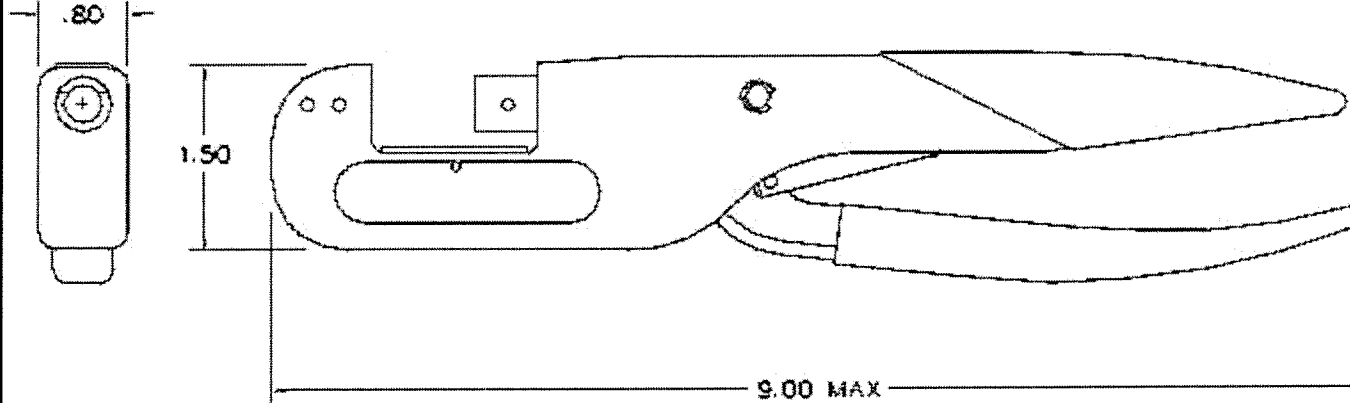
©

THIRD ANGLE PROJECTION

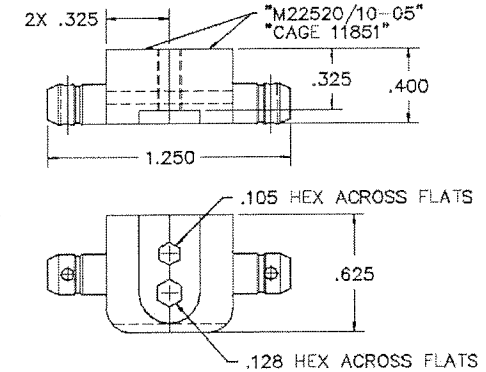
NOT TO SCALE

ALL DIMENSIONS IN mm

HAND CRIMP TOOL



DIE SET



NOTES:

1. HAND CRIMP TOOL SUPPLIED WITH DIE SET ASSEMBLED AND USED WITH:

CONTACT ASSY PART No.
M80-305, M80-306, M80-307
M80-308, M80-309
M80-315, M80-316, M80-317
M80-318, M80-319

2. ALL DIMENSIONS ARE IN INCHES AND ARE FOR REFERENCE PURPOSES ONLY.

BMK	1	24.11.05	---
NAME	ISS.	DATE	C/NOTE
APPROVED			
CHECKED:	<i>[Signature]</i>		
DRAWN:	B. M. KENT		
CUSTOMER REF:			
ASSEMBLY DRG:			

HARWIN

HARWIN INC
U.S.A.
TEL: (812) 285 0055
FAX: (812) 285 0056

HARWIN PLC
U.K.
TEL: 023 9237 0451
FAX: 023 9231 4590

HARWIN PTE
SINGAPORE
TEL: 65 7794909
FAX: 65 7793868

THIS INFORMATION AND ANY INFORMATION OR DESCRIPTIVE MATTER SET OUT HEREON ARE CONFIDENTIAL AND COPYRIGHT PROPERTY OF THE HARWIN GROUP AND MUST NOT BE DISCLOSED, LOANED, COPIED OR USED FOR MANUFACTURING, TENDERING OR FOR ANY OTHER PURPOSE WITHOUT THEIR WRITTEN PERMISSION.

TOLERANCES
X. = ±1mm
X.X = ±0.25mm
X.XX = ±0.10mm
X.XXX = ±0.01mm
ANGLES = ±5°
UNLESS STATED

MATERIAL:

FINISH:

S/AREA:

TITLE:

DATAMATE SPECIAL CONTACT
HAND CRIMP TOOL WITH DIE SET

DRAWING NUMBER:

Z80-293

SHT

2

OF

2

X-ON Electronics

Largest Supplier of Electrical and Electronic Components

Click to view similar products for [Crimpers / Crimping Tools](#) category:

Click to view products by [Harwin](#) manufacturer:

Other Similar products are found below :

[010-0096](#) [M225202-37](#) [6-1579015-5](#) [CT150-2-D02](#) [M322](#) [6-304052-1](#) [63456-0054](#) [63484-3701](#) [63800-8355](#) [63819-1875](#) [63819-2875](#)
[63819-4475](#) [63823-3475](#) [63827-5375](#) [64001-0975](#) [64001-4175](#) [64005-0175](#) [662903-2](#) [690602-6](#) [7-1579001-9](#) [7-23471-1](#) [762637-1](#) [808714-](#)
[1](#) [811242-5](#) [999-50-020083](#) [1-21002-3](#) [1-21002-7](#) [12085270](#) [1-21002-6](#) [1-21113-6](#) [1-22548-4](#) [125442-1](#) [DCE.91.073.BVC](#)
[DCE.91.090.3MVM](#) [DCE.91.130.5MVU](#) [DCE.91.202.BVCM](#) [1338300-1](#) [1-354003-0](#) [1338301-1](#) [DF62/RE-MD](#) [142321](#) [1456088-1](#)
[1490794-1](#) [1-45804-6](#) [1490357-2](#) [1490357-3](#) [AX100749](#) [1-59619-7](#) [1596970-1](#) [1-59619-8](#)