

LC SERIES

CONSTANT CURRENT LED DRIVERS

CONSTANT CURRENT LED DRIVER CASE STYLE AA: POLYCARBONATE



GENERAL INFORMATION

LED Drive Type	Constant Current, Class 2
Maximum Wattage	20 Watts
Input Voltage	120-277 (+/-10%)
Input Frequency	50/60Hz
Power Factor @ Full Load	>0.90%
Efficiency @ Full Load	Up to 87%
THD	<10%
Start-Up Time	<500ms*
Output Current Tolerance	5%
Line Regulation	<3%
Load Regulation (Max Load)	<4%
Dimming	0-10V, min. 5%
Output Over Current Protection	Yes, Current Limiting
Output Short-Circuit Protection	Yes, Auto Recovery
Over Temperature Protection	Yes, Current Limiting
EMI Compliance	FCC Part 15 Class B

* Complies with ENERGY STAR® and CA Title 24 Specifications

ENVIRONMENTAL SPECIFICATIONS

Minimum Operating Temp.	-40°C
Maximum Case Temp.	90°C
Maximum Storage Temp.	85°C
Maximum Relative Humidity	95% non-condensing
Transient Protection	2.5kV
UL Environment Rating	Dry & Damp
Sound Rating	Class A

APPROVALS



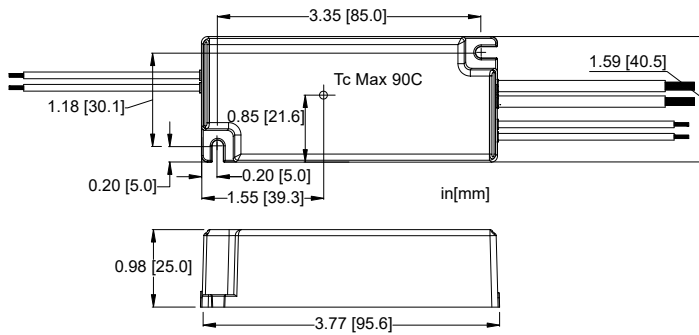
WARRANTY

- 5 year limited warranty

ELECTRICAL SPECIFICATIONS

Max. Power	Rated Current	Output Voltage (VDC)	Input Voltage	Dimming Type	Input Power	Input Current (A)(120/277V)	Power Factor	Part Number
20W	350mA	28 - 57 VDC	120-277 VAC	0-10V Dimming	24W	0.20/0.09A	>0.90	LC20-0350Z-UNV-AA
	500mA	20 - 40 VDC						LC20-0500Z-UNV-AA
	700mA	14 - 28 VDC						LC20-0700Z-UNV-AA

SIZING INFORMATION



Always confirm fit with a physical sample.
Specifications subject to change without notice.

WIRING INFORMATION

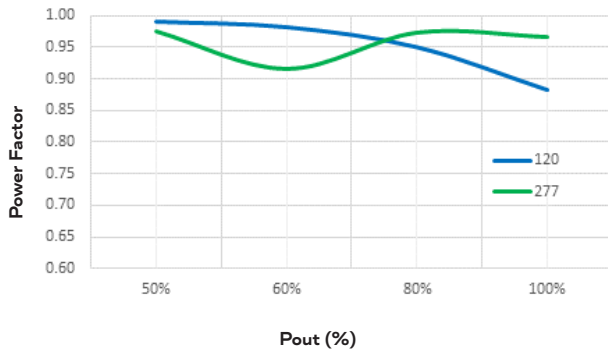
Input	6" # 18AWG Black (L), White (N)
Output	6" # 18AWG Red (+), Black (-)
Dimming	6" # 22AWG Purple (+), Grey (-)

PACKAGING INFORMATION

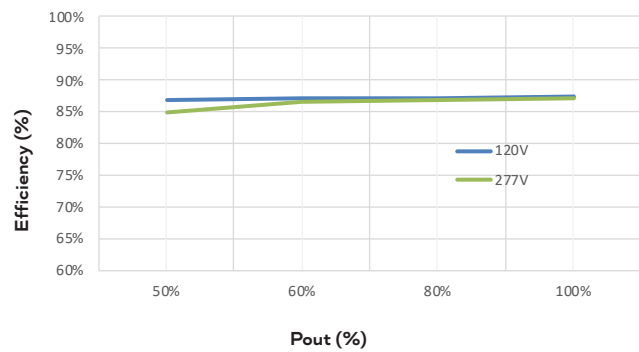
Weight	0.37 lbs
Quantity	30 pc/carton

PLOT DATA

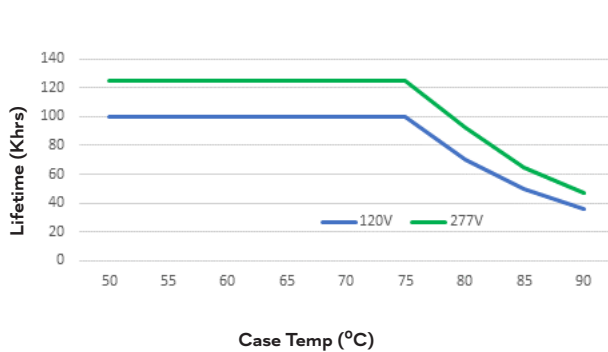
Power Factor vs. Output Power



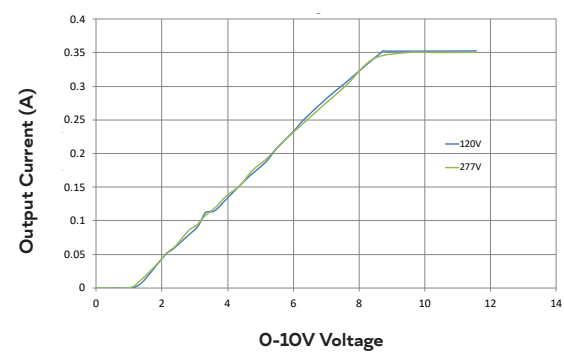
Efficiency vs. Output Power



Lifetime vs. Case Temp



Dimming Curve



X-ON Electronics

Largest Supplier of Electrical and Electronic Components

Click to view similar products for [LED Power Supplies](#) category:

Click to view products by [Hatch Lighting](#) manufacturer:

Other Similar products are found below :

[ESS015W-1000-12](#) [PDA-WIFI](#) [PIFC-K250F](#) [PITB-K222A](#) [ALD-514012PJ134](#) [LB240S24KH](#) [LMH020-SPLC-0000-0000001](#) [LMD600-0100-C1A7-7030000](#) [79534](#) [79535](#) [EUG-200S210DT](#) [ESS030W-1050-21](#) [ESS030W-0900-32](#) [BPOXL 4-12-035](#) [ESS010W-0350-24](#) [ESS010W-0200-42](#) [ESM060W-1400-42](#) [PDA080B-1A0G](#) [PDA150B-S1A5G](#) [SLM140W-1.05-130-ZA](#) [ESS015W-0700-18](#) [EUD-150S350DVA](#) [LWA320-C420-ARK-B](#) [HVG-240-48AB](#) [HVG-320-36AB](#) [HVG-320-54AB](#) [ELG-240-C1400AB](#) [EUK-150S105DV](#) [BXCS-12Z-N2P-B1-A](#) [BXPR-WN-01-A](#) [LN1224CV](#) [BXCS-12D-N2P-01-A](#) [BXCS-12W-N2P-01-A](#) [HBG-160-24AB](#) [980100001200394](#) [980060001200376](#) [LC 14W 250-350MA FLEXC R ADV2](#) [LC 24W 500-600MA FLEXC R ADV2](#) [LC 36W 850-900MA FLEXC R ADV2](#) [LC 18W 24V ONE4ALL SC PRE](#) [LC 50W 200-350ML 170V FLEXC LP SNC4](#) [LC 25W 200-350ML 70V FLEXC LP SNC4](#) [LC 35W 200-350ML 121V FLEXC LP SNC4](#) [LCBI 10W 350MA PHASE-CUT/1-10V LP](#) [LC 13W 300MA FIXC C SNC](#) [LC 10W 250MA FIXC SC SNC2](#) [LC 35W 800MA FIXC SR ADV2](#) [LC 38W 900MA FIXC SR ADV2](#) [LC 34W 800MA FIXC SC ADV2](#) [LC 44W 1050MA FIXC SC ADV2](#)